

AI = Flexibility + Performance

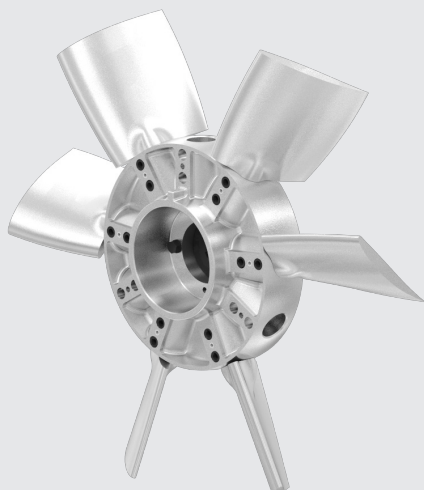
COOK INTRODUCES THE AI:



We know you get in some pretty tough spots. AI may be your way out.

Key Features:

- ▶ Direct drive for efficiency and reduced maintenance
- ▶ Compact inline design
- ▶ Multiple blade/hub combinations to fine tune your selection
- ▶ Vane section to reduce HP requirement at operating point
- ▶ Vertical and horizontal mount available



Over 20,000 combinations make AI one of the most flexible and adaptable fans available

- ▶ 14 housing sizes (12.25" - 63" diameter)
- ▶ 68 hub/blade combinations
- ▶ Blade pitch angles from 5° - 45°
- ▶ 2 levels of construction
- ▶ Motor pole speeds of 3450, 1760, 1160, 860
- ▶ Performance with and without VFD

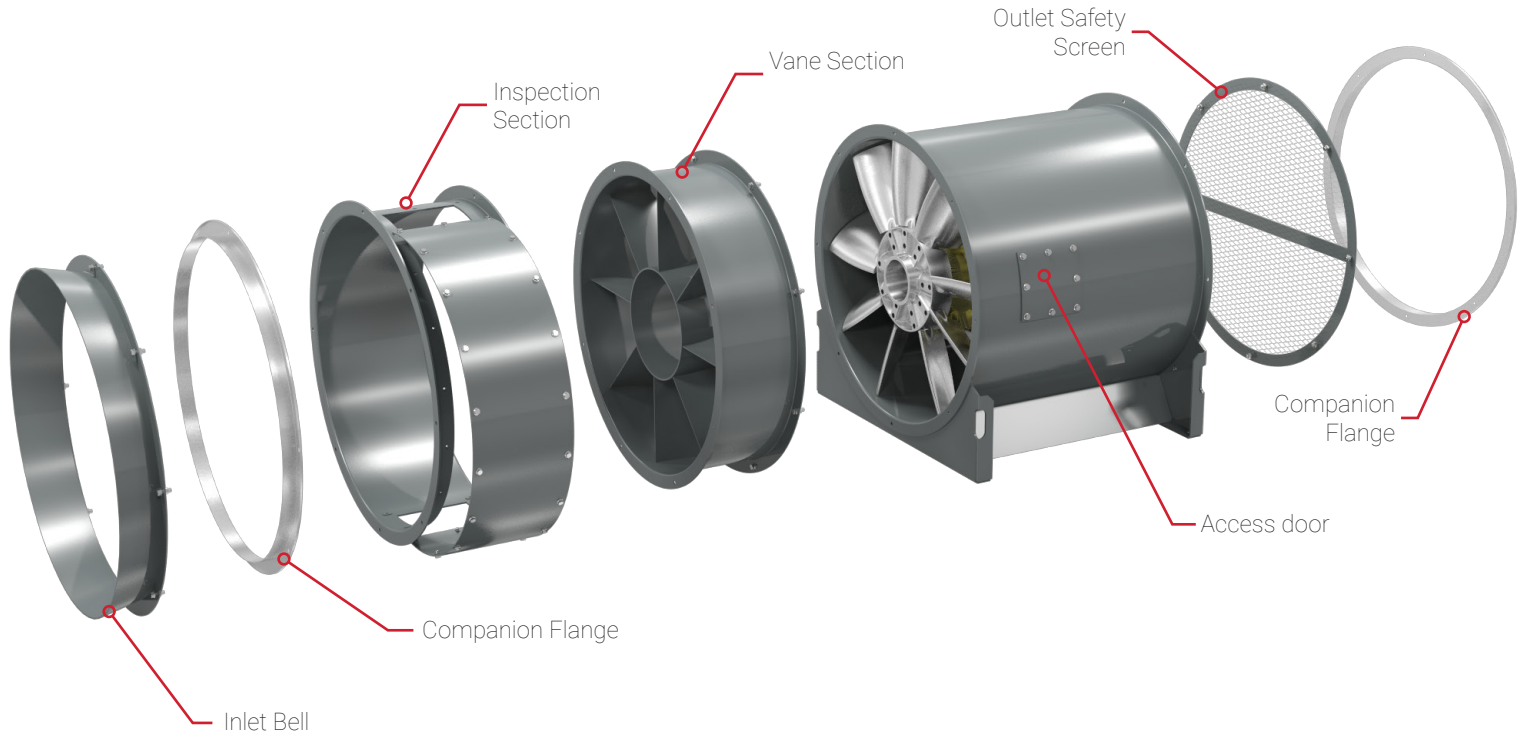
- ▶ The AI family of fans can move **400 - 140,000 CFM** and static pressure up to **8" w.g.** all in an easy-to-maintain direct drive package.



Contact your Cook representative or visit lorencook.com for more information!

ACCESSORIES

Configure the AI even further to meet your exact installation needs!



MODEL RANGE

	Hub Size	15 (6")		20 (8")		25 (10")		32 (12.5")		40 (16")		50 (20")	
	# of Blades	4	6	4	6	6	9	6	9	6	9	8	12
MODEL SIZE	31	✓	✓										
	36	✓	✓										
	41	✓	✓	✓	✓								
	47	✓	✓	✓	✓								
	54	✓	✓	✓	✓	✓	✓						
	63	✓	✓	✓	✓	✓	✓						
	72			✓	✓	✓	✓	✓	✓				
	80			✓	✓	✓	✓	✓	✓				
	90					✓	✓	✓	✓	✓	✓		
	103					✓	✓	✓	✓	✓	✓		
	113							✓	✓	✓	✓	✓	✓
	123							✓	✓	✓	✓	✓	✓
	140									✓	✓	✓	✓
	160									✓	✓	✓	✓