

Laboratory Exhaust

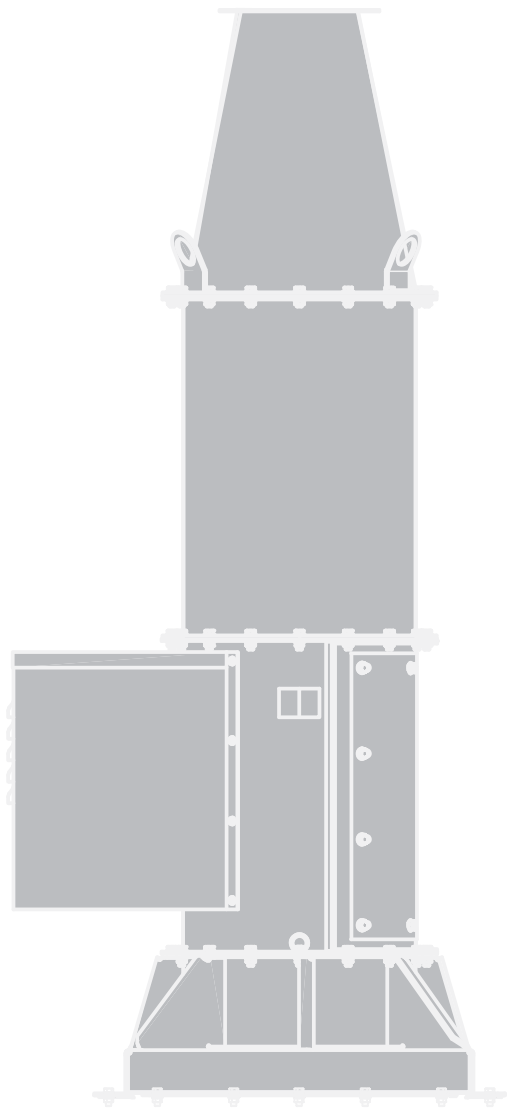
TCNHBLE Performance Data



COOK

TCNHBLE

Tubular Centrifugal Inline Laboratory Exhaust Fan - Performance Data



Introduction		Page
Index		2
Standard Construction Features		3
 Air Performance Data		
100.....		4
120.....		5
135.....		6
150.....		7
165.....		8
180.....		9
195.....		10
210.....		11
225.....		12
245.....		13
270.....		14
300.....		15
330.....		16
365.....		17
402.....		18
445.....		19
490.....		20
 Sound Performance Data		
100.....		21
120.....		21
135.....		22
150.....		22
165.....		23
180.....		23
195.....		24
210.....		24
225.....		25
245.....		26
270.....		27
300.....		27
330.....		28
365.....		29
402.....		30
490.....		31

Laboratory Exhaust Tubular Centrifugal Belt Drive



Standard Features

Fan Assembly

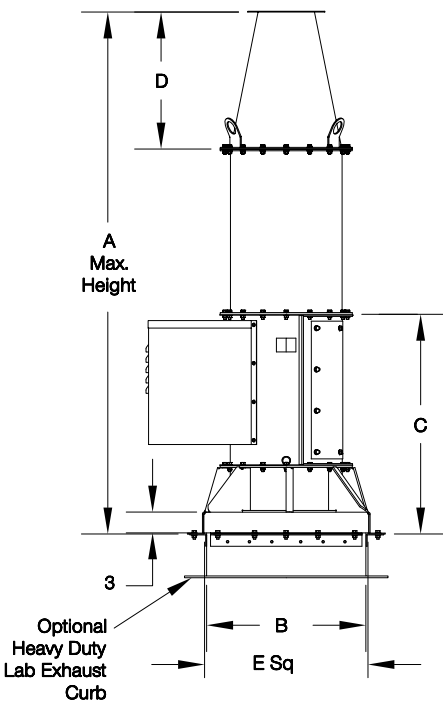
- Backward inclined, non-overloading welded Aluminum wheel
- Minimum 12 gauge steel welded housing
- AMCA type "B" Spark resistant construction
- High velocity discharge cone
- Phenolic epoxy powder with UV protection (Light Gray)
- L10/100k concentric locking regreasable bearings
- Large bolted access door - Allows wheel and bearing replacement
- Lifting lugs
- Fan Drain
- Weather cover
- Reinforced curb cap
- Stainless Steel shaft
- Stainless Steel hardware
- Stainless Steel lube lines
- NEMA 3R disconnect mounted and pre-wired
- 1.5 Service Factor drives
- Designed to withstand 125 mph wind



Loren Cook Company certifies that the TCNHBLE shown herein is licensed to bear the AMCA Seal. The ratings shown are based on tests and procedures performed in accordance with AMCA Publication 211 and AMCA Publication 311 and comply with the requirements of the AMCA Certified Ratings Program.



Type TCNHBLE is furnished standard with UL 705 and cUL 705 listings (Power Ventilator/ZACT).



TCNHBLE Dimension Data

Size	A	B	C	D	E	Max. Motor Frame	Approx. Ship Wt.*
100	120	23-1/16	32	20	24	145T	317
120	120	27-1/16	33	22	28	184T	385
135	120	29	34	26	30	184T	443
150	120	31	36-1/2	29	32	184T	511
165	120	33	38	30	34	184T	571
180	120	36-7/8	40-1/2	35	38	213T	636
195	120	40-7/8	43	39	42	213T	709
210	120	42-7/8	43-1/2	42	44	213T	778
225	120	46-7/8	45	44	48	213T	973
245	120	48-7/8	50-1/2	50	50	215T	1056
270	120	52-7/8	56	56	54	215T	1175
300	122	58-7/8	57-1/2	60	60	254T	1375
330	125-1/4	60-3/4	61-1/2	64	62	254T	1542
365	128-1/4	63-3/4	63-1/2	65	65	256T	1752
402	140-3/4	70-3/4	69	72	72	256T	2055
445	155-1/4	75-3/4	75-1/2	80	77	326T	2470
490	168-3/4	82-3/4	82	87	84	326T	2839

All dimensions in inches. *Weight in pounds, based on heaviest standard motor.

100 TCNHBLE Data

100 TCNHBLE

SIZE	CFM	OV	0.500" SP		1.000" SP		1.500" SP		2.000" SP		2.500" SP		3.000" SP		3.500" SP		4.000" SP		
			RPM	BHP	RPM	BHP	RPM	BHP	RPM	BHP	RPM	BHP	RPM	BHP	RPM	BHP	RPM	BHP	RPM
100 TCNHBLE 5	350	2573	1791	.12	2224	.20	2577	.29	2869	.38	3128	.47	3365	.56					
	420	3088	1982	.17	2360	.26	2708	.37	3006	.47	3264	.58	3497	.68	3712	.79	3915	.90	
	490	3602	2195	.24	2520	.34	2841	.45	3136	.57	3400	.70	3635	.82	3849	.94	4048	1.07	
	560	4117	2423	.33	2706	.43	2991	.55	3269	.68	3529	.82	3767	.96	3985	1.10	4185	1.24	
	630	4632	2658	.44	2910	.55	3163	.67	3416	.81	3663	.96	3897	1.12	4115	1.28			
	700	5147	2899	.57	3127	.69	3354	.82	3582	.97	3809	1.12	4032	1.29					
	770	5661	3143	.73	3354	.86	3559	1.00	3766	1.15	3973	1.31	4180	1.49					
	840	6176	3390	.92	3587	1.06	3775	1.21	3963	1.37	4154	1.54							
	910	6691	3640	1.14	3824	1.30	4000	1.45	4174	1.62									
	980	7205	3891	1.40	4065	1.57	4229	1.73											
1050	7720	4144	1.70																
100 TCNHBLE 6	500	2551	1868	.16	2235	.25	2558	.35	2840	.45	3095	.56							
	580	2959	2055	.21	2378	.32	2684	.43	2957	.54	3204	.66	3433	.78	3648	.91			
	660	3367	2255	.29	2539	.39	2819	.52	3083	.65	3325	.78	3546	.91	3754	1.05	3951	1.19	
	740	3775	2464	.38	2717	.49	2970	.62	3217	.76	3450	.91	3668	1.06	3871	1.21	4063	1.36	
	820	4183	2678	.48	2906	.61	3135	.74	3363	.89	3584	1.05	3795	1.21	3994	1.38	4182	1.54	
	900	4591	2897	.61	3104	.74	3313	.89	3521	1.04	3728	1.21	3929	1.38	4122	1.56			
	980	5000	3118	.77	3309	.91	3501	1.06	3692	1.22	3883	1.39	4072	1.58					
	1060	5408	3342	.94	3520	1.10	3696	1.25	3873	1.42	4050	1.60	4227	1.79					
	1140	5816	3567	1.15	3734	1.31	3898	1.48	4062	1.65	4227	1.84							
	1220	6224	3794	1.38	3952	1.56	4105	1.73											
1300	6632	4023	1.65	4171	1.83														
100 TCNHBLE 7	670	2509	2017	.21	2322	.31	2612	.43	2879	.55	3126	.67	3359	.81					
	750	2808	2186	.27	2462	.38	2730	.50	2984	.63	3220	.77	3442	.91	3654	1.05			
	830	3108	2363	.33	2614	.45	2860	.58	3098	.72	3324	.87	3537	1.02	3741	1.18	3936	1.34	
	910	3408	2543	.42	2775	.54	3000	.68	3222	.83	3437	.98	3643	1.15	3838	1.31	4025	1.48	
	990	3707	2727	.51	2941	.65	3150	.79	3357	.95	3559	1.11	3755	1.28	3944	1.46	4126	1.64	
	1070	4007	2914	.62	3113	.77	3308	.92	3500	1.08	3689	1.25	3876	1.43	4057	1.62			
	1150	4307	3103	.75	3288	.90	3471	1.06	3651	1.23	3829	1.41	4005	1.60	4177	1.79			
	1230	4606	3294	.90	3467	1.06	3639	1.22	3808	1.40	3975	1.58	4141	1.78					
	1310	4906	3486	1.06	3649	1.23	3811	1.41	3971	1.59	4128	1.78							
	1390	5205	3680	1.25	3834	1.42	3987	1.61	4138	1.80									
1470	5505	3875	1.46	4020	1.64	4165	1.83												
1550	5805	4070	1.69	4208	1.88														
100 TCNHBLE 8	880	2521	2267	.29	2521	.41	2763	.53	2997	.67	3223	.82	3440	.97	3649	1.13			
	955	2736	2417	.35	2655	.47	2881	.61	3101	.75	3314	.90	3520	1.07	3720	1.23	3913	1.41	
	1030	2951	2569	.42	2793	.55	3005	.69	3212	.84	3413	1.00	3609	1.17	3801	1.34	3986	1.52	
	1105	3166	2725	.49	2934	.63	3135	.78	3331	.94	3521	1.10	3707	1.28	3889	1.46	4067	1.64	
	1180	3381	2882	.58	3079	.73	3270	.88	3455	1.05	3635	1.22	3813	1.40	3986	1.58	4156	1.78	
	1255	3595	3041	.68	3226	.83	3408	1.00	3584	1.17	3756	1.35	3924	1.53	4090	1.72			
	1330	3810	3200	.79	3376	.95	3549	1.12	3717	1.30	3880	1.48	4042	1.68	4200	1.87			
	1405	4025	3362	.92	3528	1.08	3693	1.26	3853	1.44	4010	1.64	4164	1.83					
	1480	4240	3525	1.05	3682	1.23	3839	1.41	3993	1.60	4143	1.80							
	1555	4455	3688	1.20	3837	1.38	3987	1.57	4135	1.77									
1630	4670	3851	1.37	3993	1.55	4137	1.75												
1705	4885	4016	1.55	4152	1.74														
100 TCNHBLE 9	1110	2511	2580	.41	2801	.54	3004	.68	3201	.83	3394	.99	3584	1.16	3772	1.34	3955	1.53	
	1175	2658	2705	.47	2916	.61	3112	.76	3300	.91	3483	1.07	3665	1.25	3844	1.43	4019	1.62	
	1240	2805	2831	.53	3034	.68	3222	.83	3402	.99	3577	1.16	3750	1.34	3922	1.53	4090	1.72	
	1305	2952	2959	.60	3152	.76	3335	.92	3507	1.08	3676	1.26	3841	1.44	4005	1.63	4166	1.83	
	1370	3099	3088	.68	3272	.84	3449	1.01	3615	1.18	3777	1.36	3936	1.55	4093	1.74			
	1435	3246	3216	.77	3394	.94	3564	1.11	3726	1.29	3882	1.47	4035	1.66	4186	1.86			
	1500	3393	3347	.86	3516	1.03	3681	1.22	3839	1.40	3989	1.59	4137	1.79					
	1565	3540	3477	.96	3640	1.14	3800	1.33	3953	1.52	4099	1.72							
	1630	3687	3609	1.08	3764	1.26	3919	1.45	4068	1.65	4210	1.86							
	1695	3834	3740	1.19	3891	1.38	4040	1.58	4185	1.79									
1760	3981	3873	1.32	4017	1.52	4161	1.72												
1825	4128	4006	1.46	4145	1.66														
100 TCNHBLE 10	1370	2513	2991	.61	3184	.76	3363	.93	3532	1.10	3694	1.27	3851	1.45	4008	1.63	4163	1.83	
	1420	2605	3086	.66	3274	.83	3449	1.00	3613	1.17	3771	1.34	3925	1.53	4076	1.72	4226	1.92	
	1470	2697	3181	.72	3364	.89	3535	1.07	3696	1.24	3850	1.43	3999	1.61	4146	1.81			
	1520	2788	3277	.79	3454	.96	3622	1.14	3779	1.32	3930	1.51	4076	1.70	4219	1.90			
	1570	2880	3373	.86	3545	1.03	3709	1.22	3864	1.41	4011	1.60	4153	1.79					
	1620	2972	3469	.93	3637	1.11	3797	1.30	3949	1.50	4093	1.69							
	1670	3064	3566	1.01	3729	1.19	3886	1.39	4035	1.59	4176	1.79							
	1720	3155	3663	1.09	3822	1.28	3975	1.48	4121	1.69									
	1770	3247	3760	1.17	3915	1.37	4065	1.58	4208	1.79									
	1820	3339	3858	1.27	4008	1.47	4155	1.68											
1870	3431	3956	1.36	4103	1.57														
1920	3522	4054	1.46	4197	1.67														
100 TCNHBLE 11	1650	2499	3498	.94	3673	1.14	3838	1.34	3991	1.54	4134	1.74							
	1680	2545	3555	.99	3728	1.19	3891	1.39	4042	1.60	4184	1.80							
	1710	2590	3613	1.04	3782	1.24	3943	1.44	4094	1.65									
	1740	2636	3670	1.09	3837	1.29	3996	1.50	4145	1.71									
	1770	2681	3727	1.13	3892	1.34	4049	1.56	4197	1.77									
	1800	2727	3784	1.19	3947	1.40	4102	1.61											
	1830	2772	3842	1.24	4002	1.45	4156	1.67											
	1860	2818	3900	1.30	4058	1.51	4209	1.74											
	1890	2863	3958	1.35	4113	1.57													
	1920	2909	4016	1.41	4169	1.63													
1950	2954	4074	1.47	4224	1.69														
1980	2999	4131	1.53																

Performance certified is for installation Type A: Free inlet, Free outlet. Power rating (BHP) does not include transmission losses. Performance ratings do not include the effects of appurtenances (accessories).

120 TCNHBLE

SIZE	CFM	OV	0.500" SP		1.000" SP		1.500" SP		2.000" SP		2.500" SP		3.000" SP		3.500" SP		4.000" SP	
			RPM	BHP	RPM	BHP	RPM	BHP	RPM	BHP	RPM	BHP	RPM	BHP	RPM	BHP	RPM	BHP
120 TCNHBLE 6	500	2551	1588	.21	1923	.35	2188	.49	2432	.65	2662	.83	2875	1.03	3076	1.25	3264	1.47
	600	3061	1754	.29	2078	.45	2336	.62	2558	.79	2766	.97	2966	1.17	3157	1.39	3339	1.63
	700	3571	1937	.39	2234	.58	2491	.77	2708	.96	2902	1.16	3085	1.37	3261	1.59	3432	1.82
	800	4081	2135	.54	2398	.73	2646	.95	2864	1.17	3055	1.39	3228	1.61	3393	1.84	3551	2.08
	900	4591	2341	.71	2572	.91	2805	1.15	3019	1.40	3211	1.65	3383	1.90	3542	2.15	3692	2.40
	1000	5102	2552	.93	2759	1.14	2971	1.39	3175	1.66	3365	1.94	3539	2.22				
	1100	5612	2767	1.19	2955	1.42	3146	1.67	3338	1.95	3522	2.25						
	1200	6122	2984	1.50	3159	1.74	3332	2.01	3508	2.30	3683	2.62						
	1300	6632	3203	1.85	3366	2.12	3525	2.40	3687	2.70								
	1400	7142	3425	2.27	3578	2.56												
1500	7653	3648	2.75															
120 TCNHBLE 7	675	2528	1603	.23	1921	.38	2186	.54	2429	.71	2656	.90	2868	1.11	3066	1.33	3252	1.56
	775	2902	1739	.31	2040	.47	2293	.64	2519	.82	2733	1.02	2935	1.23	3127	1.46	3309	1.70
	875	3277	1886	.39	2163	.57	2410	.76	2626	.96	2825	1.16	3017	1.38	3200	1.62	3375	1.87
	975	3651	2040	.50	2293	.69	2530	.90	2740	1.11	2932	1.33	3112	1.56	3286	1.80	3453	2.06
	1075	4026	2200	.63	2430	.83	2654	1.05	2859	1.28	3046	1.52	3219	1.76	3384	2.01	3543	2.28
	1175	4400	2364	.79	2574	1.00	2783	1.23	2982	1.48	3165	1.73	3334	1.99	3492	2.25	3645	2.53
	1275	4775	2531	.97	2724	1.19	2918	1.43	3107	1.70	3286	1.97	3452	2.25	3608	2.53		
	1375	5149	2701	1.18	2879	1.41	3059	1.67	3238	1.94	3410	2.23	3573	2.52				
	1475	5524	2872	1.43	3038	1.67	3205	1.93	3373	2.21	3538	2.52						
	1575	5898	3044	1.70	3200	1.95	3356	2.23	3514	2.52	3671	2.84						
	1675	6273	3217	2.01	3365	2.28	3512	2.56	3660	2.87								
	1775	6647	3393	2.36	3532	2.64	3670	2.94										
	1875	7022	3567	2.74														
120 TCNHBLE 8	875	2507	1676	.28	1973	.44	2229	.62	2464	.81	2683	1.01	2889	1.23	3083	1.46	3266	1.71
	1025	2936	1863	.39	2129	.57	2370	.76	2587	.97	2791	1.18	2983	1.41	3169	1.66	3345	1.92
	1175	3366	2062	.54	2297	.73	2522	.94	2729	1.17	2919	1.40	3099	1.64	3272	1.89	3439	2.16
	1325	3796	2269	.71	2477	.92	2684	1.15	2880	1.40	3062	1.65	3232	1.91	3395	2.17	3552	2.45
	1475	4226	2482	.94	2668	1.16	2855	1.40	3039	1.67	3213	1.94	3377	2.22	3533	2.50	3681	2.80
	1625	4656	2698	1.20	2866	1.44	3036	1.70	3206	1.98	3371	2.27	3529	2.57	3680	2.88		
	1775	5085	2917	1.52	3072	1.77	3226	2.04	3382	2.34	3537	2.65	3687	2.97				
	1925	5515	3138	1.89	3282	2.16	3423	2.44	3567	2.75								
	2075	5945	3360	2.32	3494	2.61	3626	2.91										
	2225	6375	3583	2.81														
120 TCNHBLE 9	1125	2545	1828	.37	2088	.55	2329	.75	2549	.96	2755	1.18	2951	1.42	3137	1.67	3313	1.93
	1275	2884	2006	.49	2237	.68	2462	.90	2669	1.13	2863	1.36	3048	1.62	3223	1.88	3393	2.15
	1425	3223	2190	.64	2398	.84	2603	1.07	2800	1.32	2984	1.57	3158	1.84	3325	2.11	3487	2.40
	1575	3563	2378	.82	2567	1.03	2754	1.28	2938	1.54	3114	1.81	3280	2.09	3439	2.38	3592	2.68
	1725	3902	2570	1.03	2743	1.26	2914	1.52	3084	1.79	3251	2.08	3411	2.38	3564	2.69		
	1875	4242	2764	1.28	2924	1.52	3082	1.79	3239	2.08	3395	2.39	3547	2.70				
	2025	4581	2960	1.56	3109	1.83	3256	2.11	3402	2.41	3546	2.73	3691	3.06				
	2175	4920	3157	1.89	3298	2.18	3434	2.47	3570	2.78								
	2325	5260	3356	2.27	3488	2.57	3617	2.88										
	2475	5599	3554	2.69	3680	3.02												
120 TCNHBLE 10	1375	2522	2002	.48	2225	.67	2445	.89	2651	1.12	2844	1.37	3028	1.62	3204	1.89	3373	2.17
	1525	2798	2173	.61	2376	.82	2576	1.04	2771	1.29	2954	1.55	3129	1.82	3297	2.11	3458	2.40
	1675	3073	2347	.77	2534	.99	2717	1.22	2898	1.49	3073	1.76	3239	2.05	3399	2.35	3553	2.65
	1825	3348	2524	.95	2698	1.18	2866	1.43	3033	1.70	3199	2.00	3358	2.30	3511	2.61	3659	2.93
	1975	3623	2703	1.16	2865	1.41	3022	1.67	3177	1.96	3331	2.26	3483	2.58	3630	2.91		
	2125	3899	2883	1.41	3036	1.67	3183	1.95	3327	2.24	3471	2.55	3615	2.89				
	2275	4174	3065	1.68	3209	1.97	3348	2.26	3484	2.57	3618	2.89						
	2425	4449	3247	2.00	3385	2.30	3516	2.61	3644	2.93								
	2575	4724	3432	2.35	3562	2.68	3687	3.00										
	2725	4999	3617	2.75														
120 TCNHBLE 11	1650	2499	2232	.65	2424	.86	2614	1.09	2801	1.35	2979	1.61	3149	1.89	3313	2.17	3470	2.47
	1750	2651	2343	.75	2526	.97	2705	1.21	2884	1.47	3056	1.74	3221	2.03	3379	2.33	3533	2.63
	1850	2803	2456	.86	2630	1.09	2800	1.33	2970	1.60	3136	1.89	3296	2.18	3449	2.49	3598	2.80
	1950	2954	2569	.98	2737	1.22	2898	1.47	3059	1.75	3219	2.04	3374	2.35	3523	2.66	3668	2.99
	2050	3106	2683	1.11	2844	1.36	2998	1.62	3151	1.90	3304	2.21	3454	2.52	3600	2.85		
	2150	3257	2798	1.26	2953	1.52	3101	1.79	3246	2.08	3392	2.38	3537	2.71	3679	3.05		
	2250	3409	2913	1.42	3064	1.69	3205	1.97	3344	2.26	3484	2.58	3623	2.91				
	2350	3560	3028	1.59	3174	1.87	3311	2.16	3444	2.46	3578	2.78						
	2450	3712	3145	1.77	3286	2.07	3418	2.37	3546	2.68	3674	3.01						
	2550	3863	3260	1.97	3398	2.29	3526	2.59	3650	2.91								
	2650	4015	3377	2.18	3511	2.51	3636	2.84										
	2750	4166	3494	2.41	3625	2.76												
	2850	4318	3611	2.66														
120 TCNHBLE 12	1975	2515	2555	.95	2724	1.19	2881	1.44	3038	1.71	3195	2.00	3348	2.30	3496	2.60	3640	2.92
	2050	2611	2638	1.05	2803	1.30	2956	1.55	3106	1.82	3258	2.11	3408	2.42	3553	2.74		
	2125	2707	2722	1.15	2883	1.40	3031	1.66	3176	1.94	3323	2.24	3468	2.55	3610	2.88		
	2200	2802	2805	1.25	2964	1.52	3108	1.79	3248	2.07	3389	2.37	3531	2.69	3669	3.02		
	2275	2898	2890	1.36	3045	1.64	3186	1.92	3321	2.21	3457	2.51	3594	2.84				
	2350	2993	2974	1.48	3126	1.77	3264	2.06	3396	2.35	3527	2.66	3659	2.99				
	2425	3089	3058	1.61	3208	1.91	3342	2.20	3471	2.50	3598	2.82						
	2500	3184	3143	1.74	3290	2.06	3422	2.36	3547	2.66	3671	2.98						
	2575	3280	3228	1.88	3372	2.21	3502	2.52	3624	2.83								
	2650	3375	3313	2.03	3455	2.37	3582	2.69										
	2725	3471	3399	2.19	3537	2.54	3663	2.87										
	2800	3566	3484	2.35	3621	2.72												
	2875	3662	3569	2.52														
2950	3757	3655	2.70															

Performance certified is for installation Type A: Free inlet, Free outlet. Power rating (BHP) does not include transmission losses. Performance ratings do not include the effects of appurtenances (accessories).

135 TCNHBLE Data

135 TCNHBLE

SIZE	CFM	OV	0.500" SP		1.000" SP		1.500" SP		2.000" SP		2.500" SP		3.000" SP		3.500" SP		4.000" SP	
			RPM	BHP	RPM	BHP	RPM	BHP	RPM	BHP	RPM	BHP	RPM	BHP	RPM	BHP	RPM	BHP
135 TCNHBLE 7	675	2528	1406	.27	1704	.44	1956	.63	2177	.84	2376	1.06	2559	1.30	2731	1.55	2892	1.81
	800	2996	1548	.37	1825	.56	2063	.77	2275	1.00	2468	1.24	2646	1.49	2812	1.76		
	925	3464	1698	.49	1956	.71	2180	.94	2383	1.19	2569	1.45	2742	1.72	2903	2.01		
	1050	3932	1857	.65	2095	.89	2307	1.15	2500	1.42	2679	1.70	2846	1.99				
	1175	4400	2021	.85	2240	1.11	2442	1.39	2625	1.68	2796	1.99						
	1300	4868	2188	1.09	2392	1.38	2582	1.68	2757	1.99	2921	2.31						
	1425	5337	2356	1.37	2549	1.68	2727	2.01	2895	2.34								
	1550	5805	2527	1.70	2711	2.05	2877	2.38										
	1675	6273	2698	2.08	2875	2.46												
1800	6741	2871	2.52															
135 TCNHBLE 8	875	2507	1402	.29	1672	.46	1915	.66	2138	.88	2345	1.12	2535	1.37	2713	1.65	2881	1.93
	1025	2936	1544	.40	1793	.59	2014	.80	2220	1.03	2414	1.28	2597	1.55	2770	1.84	2933	2.14
	1175	3366	1694	.54	1925	.75	2129	.98	2319	1.22	2500	1.48	2672	1.76	2837	2.06		
	1325	3796	1850	.71	2064	.94	2256	1.19	2433	1.45	2601	1.72	2762	2.01	2919	2.32		
	1475	4226	2012	.92	2208	1.17	2391	1.45	2558	1.72	2715	2.01	2866	2.32				
	1625	4656	2178	1.17	2358	1.45	2530	1.74	2690	2.04	2839	2.35						
	1775	5085	2345	1.47	2512	1.76	2674	2.08	2827	2.40								
	1925	5515	2514	1.81	2671	2.13	2822	2.47										
	2075	5945	2685	2.21	2834	2.56												
	2225	6375	2857	2.67														
135 TCNHBLE 9	1125	2545	1465	.36	1706	.54	1932	.74	2149	.98	2353	1.24	2544	1.52	2723	1.82	2891	2.13
	1275	2884	1593	.47	1816	.67	2021	.88	2219	1.12	2410	1.39	2593	1.68	2766	1.99	2931	2.31
	1425	3223	1725	.60	1936	.82	2123	1.05	2304	1.29	2481	1.57	2653	1.86	2818	2.18		
	1575	3563	1863	.76	2059	1.00	2235	1.24	2402	1.50	2565	1.78	2725	2.08	2881	2.41		
	1725	3902	2004	.94	2185	1.20	2354	1.47	2510	1.74	2661	2.03	2810	2.34				
	1875	4242	2147	1.16	2315	1.44	2477	1.73	2625	2.02	2766	2.32	2905	2.64				
	2025	4581	2293	1.42	2449	1.71	2602	2.02	2745	2.34	2879	2.65						
	2175	4920	2440	1.71	2586	2.02	2730	2.35	2868	2.69								
	2325	5260	2589	2.05	2725	2.37	2861	2.72										
	2475	5599	2739	2.43	2867	2.77												
2625	5938	2889	2.85															
135 TCNHBLE 10	1375	2522	1542	.43	1759	.63	1966	.84	2171	1.09	2368	1.37	2556	1.67	2734	1.99	2902	2.33
	1525	2798	1660	.54	1865	.75	2052	.98	2238	1.23	2422	1.52	2599	1.82	2771	2.15	2935	2.50
	1675	3073	1783	.67	1976	.90	2149	1.14	2319	1.40	2488	1.69	2655	2.00	2818	2.33		
	1825	3348	1908	.82	2089	1.07	2253	1.33	2409	1.59	2565	1.88	2721	2.20	2874	2.54		
	1975	3623	2036	1.00	2205	1.27	2363	1.54	2509	1.82	2653	2.12	2797	2.44	2940	2.78		
	2125	3899	2167	1.20	2323	1.48	2475	1.78	2614	2.07	2749	2.38	2883	2.71				
	2275	4174	2299	1.44	2444	1.73	2589	2.04	2724	2.36	2851	2.68						
	2425	4449	2433	1.70	2567	2.00	2705	2.34	2836	2.67								
	2575	4724	2567	1.99	2694	2.32	2823	2.66	2950	3.02								
	2725	4999	2703	2.33	2821	2.66	2943	3.02										
2875	5275	2839	2.69	2951	3.04													
135 TCNHBLE 11	1650	2499	1653	.53	1849	.75	2033	.97	2218	1.23	2401	1.52	2581	1.84	2753	2.18	2918	2.53
	1800	2727	1767	.65	1952	.88	2121	1.12	2290	1.38	2460	1.67	2627	1.99	2792	2.34	2952	2.70
	1950	2954	1884	.78	2058	1.03	2217	1.28	2372	1.55	2528	1.85	2685	2.17	2840	2.52		
	2100	3181	2003	.94	2166	1.20	2318	1.47	2463	1.75	2607	2.05	2752	2.38	2898	2.73		
	2250	3409	2124	1.12	2276	1.39	2423	1.69	2559	1.97	2693	2.28	2828	2.61				
	2400	3636	2247	1.32	2388	1.61	2529	1.92	2660	2.22	2786	2.54	2912	2.87				
	2550	3863	2371	1.54	2502	1.84	2637	2.17	2763	2.50	2884	2.83						
	2700	4090	2495	1.79	2619	2.11	2746	2.45	2869	2.80								
	2850	4318	2621	2.08	2737	2.40	2857	2.75										
	3000	4545	2748	2.39	2857	2.72												
3150	4772	2875	2.73															
135 TCNHBLE 12	1975	2515	1821	.70	1992	.93	2153	1.18	2313	1.45	2474	1.75	2635	2.07	2795	2.43	2952	2.80
	2100	2675	1915	.81	2077	1.06	2231	1.31	2381	1.59	2531	1.89	2683	2.22	2835	2.57		
	2225	2834	2010	.93	2164	1.19	2311	1.46	2453	1.74	2595	2.05	2737	2.38	2881	2.74		
	2350	2993	2106	1.06	2252	1.34	2393	1.62	2529	1.91	2663	2.22	2797	2.56	2933	2.92		
	2475	3152	2204	1.21	2341	1.50	2478	1.80	2608	2.10	2735	2.42	2862	2.75				
	2600	3312	2302	1.38	2433	1.67	2563	1.98	2689	2.30	2811	2.63	2932	2.97				
	2725	3471	2401	1.56	2525	1.86	2650	2.18	2771	2.51	2889	2.85						
	2850	3630	2499	1.75	2618	2.07	2738	2.40	2856	2.75								
	2975	3789	2599	1.97	2712	2.29	2827	2.64	2941	3.00								
	3100	3949	2700	2.20	2807	2.53	2918	2.89										
3225	4108	2800	2.45	2903	2.79													
135 TCNHBLE 13	2325	2521	2033	.94	2179	1.20	2320	1.47	2459	1.76	2597	2.07	2735	2.40	2876	2.75		
	2450	2657	2127	1.07	2266	1.34	2401	1.63	2533	1.92	2664	2.24	2795	2.57	2928	2.93		
	2575	2792	2222	1.22	2354	1.50	2484	1.79	2610	2.10	2735	2.43	2859	2.76				
	2700	2928	2317	1.37	2444	1.67	2568	1.98	2689	2.29	2809	2.63	2928	2.97				
	2825	3063	2414	1.55	2534	1.85	2653	2.17	2770	2.50	2885	2.84						
	2950	3199	2510	1.73	2625	2.05	2740	2.38	2852	2.72								
	3075	3335	2607	1.93	2717	2.26	2828	2.61	2936	2.96								
	3200	3470	2704	2.15	2810	2.49	2916	2.85										
	3325	3606	2802	2.39	2903	2.74												
	135 TCNHBLE 14	2675	2502	2279	1.30	2405	1.59	2525	1.88	2647	2.19	2770	2.52	2890	2.86			
2775		2595	2355	1.43	2477	1.73	2593	2.02	2710	2.34	2829	2.68	2945	3.03				
2875		2689	2431	1.57	2550	1.88	2662	2.18	2774	2.50	2889	2.85						
2975		2782	2507	1.71	2622	2.03	2732	2.35	2840	2.68	2950	3.03						
3075		2876	2584	1.87	2696	2.20	2802	2.53	2906	2.86								
3175		2970	2660	2.03	2769	2.38	2873	2.71										
3275		3063	2738	2.21	2843	2.56	2945	2.91										
3375		3157	2815	2.40	2917	2.76												

Performance certified is for installation Type A: Free inlet, Free outlet. Power rating (BHP) does not include transmission losses. Performance ratings do not include the effects of appurtenances (accessories).

150 TCNHBLE

SIZE	CFM	OV	0.500" SP		1.000" SP		1.500" SP		2.000" SP		2.500" SP		3.000" SP		3.500" SP		4.000" SP	
			RPM	BHP	RPM	BHP	RPM	BHP	RPM	BHP	RPM	BHP	RPM	BHP	RPM	BHP	RPM	BHP
150 TCNHBLE 8	875	2507	1258	.33	1516	.53	1741	.76	1940	1.01	2118	1.27	2281	1.55	2432	1.84	2574	2.14
	1050	3008	1385	.45	1638	.70	1842	.95	2033	1.22	2206	1.51	2366	1.82	2513	2.13	2652	2.46
	1225	3510	1521	.62	1769	.91	1961	1.19	2136	1.48	2301	1.80	2456	2.13	2601	2.47		
	1400	4011	1670	.83	1897	1.15	2092	1.49	2254	1.80	2407	2.13	2554	2.48				
	1575	4512	1828	1.10	2027	1.44	2222	1.82	2384	2.19	2527	2.54						
	1750	5014	1990	1.43	2166	1.78	2349	2.20	2515	2.62								
	1925	5515	2156	1.82	2314	2.20	2479	2.63	2643	3.11								
	2100	6017	2324	2.29	2469	2.69	2617	3.14										
	2275	6518	2494	2.84	2628	3.27												
150 TCNHBLE 9	1125	2545	1277	.38	1512	.59	1724	.82	1919	1.08	2097	1.36	2261	1.66	2415	1.97	2560	2.29
	1325	2997	1411	.52	1632	.76	1823	1.02	2003	1.30	2172	1.60	2330	1.91	2479	2.25	2619	2.59
	1525	3450	1553	.70	1762	.98	1938	1.26	2102	1.56	2260	1.88	2409	2.22	2553	2.57		
	1725	3902	1703	.93	1895	1.25	2065	1.56	2216	1.88	2361	2.22	2502	2.57	2637	2.95		
	1925	4355	1858	1.22	2031	1.55	2196	1.91	2341	2.26	2475	2.62	2606	2.99				
	2125	4807	2018	1.57	2173	1.92	2329	2.31	2472	2.71	2600	3.09						
	2325	5260	2179	1.98	2322	2.36	2465	2.77	2604	3.21								
	2525	5712	2342	2.46	2475	2.87	2605	3.30										
	2725	6165	2507	3.02	2630	3.45												
150 TCNHBLE 10	1375	2522	1311	.43	1527	.65	1727	.90	1916	1.17	2092	1.47	2257	1.79	2412	2.12	2558	2.47
	1600	2935	1453	.59	1649	.84	1828	1.10	1999	1.39	2163	1.71	2319	2.05	2468	2.40	2609	2.77
	1825	3348	1600	.79	1782	1.07	1945	1.36	2100	1.67	2250	2.00	2396	2.35	2536	2.72		
	2050	3761	1753	1.04	1919	1.35	2072	1.67	2215	2.00	2353	2.35	2487	2.72	2618	3.11		
	2275	4174	1910	1.35	2062	1.68	2206	2.04	2340	2.39	2467	2.76	2591	3.15				
	2500	4587	2068	1.71	2209	2.08	2344	2.46	2471	2.85	2591	3.24						
	2725	4999	2229	2.15	2360	2.54	2486	2.95	2607	3.37								
	2950	5412	2392	2.65	2514	3.07	2632	3.51										
	3175	5825	2556	3.23														
150 TCNHBLE 11	1650	2499	1374	.50	1569	.74	1755	1.00	1932	1.29	2103	1.61	2266	1.95	2420	2.31	2566	2.69
	1875	2840	1509	.67	1684	.92	1853	1.20	2014	1.51	2171	1.84	2323	2.19	2469	2.57	2610	2.96
	2100	3181	1647	.86	1808	1.14	1961	1.44	2110	1.77	2253	2.11	2394	2.48	2531	2.87		
	2325	3522	1788	1.10	1938	1.41	2078	1.73	2215	2.07	2348	2.43	2478	2.81	2605	3.21		
	2550	3863	1931	1.39	2072	1.72	2202	2.06	2329	2.42	2453	2.81	2574	3.20				
	2775	4204	2075	1.72	2209	2.09	2331	2.45	2449	2.83	2564	3.23						
	3000	4545	2221	2.10	2348	2.50	2464	2.90	2574	3.30								
	3225	4886	2369	2.55	2489	2.98	2600	3.40										
	3450	5227	2517	3.05	2631	3.51												
150 TCNHBLE 12	1975	2515	1478	.62	1648	.87	1817	1.15	1980	1.46	2139	1.80	2294	2.16	2443	2.55	2586	2.96
	2200	2802	1607	.79	1762	1.06	1916	1.36	2065	1.68	2210	2.03	2354	2.41	2494	2.80	2630	3.22
	2425	3089	1737	1.00	1883	1.29	2022	1.60	2160	1.94	2295	2.30	2427	2.69	2557	3.10		
	2650	3375	1869	1.24	2008	1.56	2135	1.88	2263	2.24	2389	2.62	2511	3.02	2632	3.44		
	2875	3662	2003	1.52	2136	1.87	2254	2.21	2371	2.58	2489	2.98	2604	3.39				
	3100	3949	2139	1.84	2266	2.23	2378	2.59	2486	2.97	2595	3.38						
	3325	4235	2275	2.21	2396	2.62	2505	3.03	2606	3.42								
	3550	4522	2412	2.63	2527	3.07	2633	3.50										
	3775	4808	2550	3.10														
150 TCNHBLE 13	2325	2521	1603	.78	1754	1.04	1906	1.34	2054	1.67	2197	2.02	2341	2.41	2480	2.81	2617	3.24
	2525	2738	1713	.94	1856	1.23	1995	1.54	2133	1.88	2268	2.25	2400	2.63	2532	3.05		
	2725	2955	1825	1.13	1962	1.44	2089	1.76	2218	2.11	2345	2.49	2469	2.89	2592	3.32		
	2925	3172	1937	1.35	2069	1.68	2187	2.01	2308	2.38	2428	2.77	2545	3.18				
	3125	3389	2050	1.59	2178	1.95	2290	2.30	2401	2.67	2515	3.08	2627	3.51				
	3325	3606	2164	1.86	2288	2.26	2396	2.63	2500	3.01	2605	3.42						
	3525	3823	2279	2.17	2398	2.59	2503	2.98	2601	3.38								
	3725	4040	2394	2.51	2509	2.95	2612	3.38										
	3925	4257	2510	2.88	2620	3.35												
150 TCNHBLE 14	2675	2502	1738	.97	1879	1.26	2014	1.57	2149	1.92	2280	2.29	2408	2.68	2537	3.11		
	2850	2666	1832	1.12	1968	1.44	2094	1.76	2222	2.12	2347	2.50	2468	2.90	2590	3.34		
	3025	2829	1926	1.30	2058	1.63	2177	1.97	2297	2.34	2417	2.73	2533	3.15	2647	3.58		
	3200	2993	2021	1.50	2150	1.85	2263	2.20	2375	2.57	2490	2.98	2601	3.41				
	3375	3157	2117	1.71	2242	2.09	2351	2.46	2457	2.84	2565	3.25						
	3550	3320	2213	1.95	2334	2.35	2441	2.74	2541	3.13	2643	3.55						
	3725	3484	2310	2.21	2427	2.63	2531	3.04	2628	3.44								
	3900	3648	2407	2.49	2521	2.94	2623	3.37										
	4075	3811	2505	2.80	2615	3.27												
150 TCNHBLE 15	3075	2506	1912	1.25	2046	1.59	2168	1.93	2290	2.31	2409	2.70	2525	3.12	2638	3.55		
	3225	2628	1992	1.41	2122	1.77	2239	2.12	2355	2.50	2470	2.91	2582	3.33				
	3375	2750	2071	1.58	2199	1.96	2312	2.32	2422	2.71	2533	3.13	2642	3.56				
	3525	2872	2152	1.77	2275	2.16	2386	2.54	2491	2.93	2598	3.36						
	3675	2995	2232	1.96	2353	2.38	2460	2.77	2562	3.18								
	3825	3117	2313	2.18	2430	2.61	2536	3.03	2634	3.44								
	3975	3239	2394	2.41	2508	2.85	2612	3.29										
	4125	3361	2476	2.66	2587	3.12												
	4275	3484	2557	2.92														
150 TCNHBLE 16	3500	2507	2117	1.67	2245	2.07	2361	2.46	2472	2.87	2581	3.30						
	3625	2596	2183	1.83	2308	2.24	2421	2.64	2529	3.06	2635	3.50						
	3750	2686	2250	2.00	2371	2.42	2482	2.83	2588	3.27								
	3875	2775	2316	2.17	2435	2.61	2544	3.04	2646	3.48								
	4000	2865	2383	2.36	2499	2.81	2606	3.26										
	4125	2954	2450	2.56	2563	3.02												
4250	3044	2517	2.77	2628	3.25													
4375	3133	2584	2.99															

Performance certified is for installation Type A: Free inlet, Free outlet. Power rating (BHP) does not include transmission losses. Performance ratings do not include the effects of appurtenances (accessories).

165 TCNHBLE Data

165 TCNHBLE

SIZE	CFM	OV	0.500" SP		1.000" SP		1.500" SP		2.000" SP		2.500" SP		3.000" SP		3.500" SP		4.000" SP	
			RPM	BHP	RPM	BHP	RPM	BHP	RPM	BHP	RPM	BHP	RPM	BHP	RPM	BHP	RPM	BHP
165 TCNHBLE 8	875	2507	1130	.34	1372	.57	1571	.81	1752	1.09	1917	1.39	2070	1.71	2213	2.05	2348	2.42
	1125	3223	1311	.56	1525	.83	1712	1.12	1875	1.42	2026	1.75	2169	2.09	2303	2.46		
	1375	3939	1507	.87	1694	1.18	1866	1.52	2022	1.87	2164	2.23	2295	2.61				
	1625	4656	1710	1.30	1880	1.66	2033	2.03	2178	2.43	2315	2.84						
	1875	5372	1918	1.86	2076	2.28	2215	2.69	2347	3.13								
	2125	6088	2130	2.57	2277	3.05	2407	3.51										
	2375	6805	2344	3.45														
165 TCNHBLE 9	1125	2545	1121	.38	1348	.60	1547	.86	1732	1.15	1906	1.48	2066	1.84	2215	2.21	2355	2.61
	1425	3223	1298	.61	1496	.87	1673	1.16	1833	1.47	1987	1.81	2135	2.18	2276	2.58	2411	3.01
	1725	3902	1488	.93	1661	1.24	1822	1.57	1970	1.92	2107	2.28	2237	2.66	2365	3.08		
	2025	4581	1685	1.38	1842	1.73	1984	2.10	2121	2.49	2250	2.89	2370	3.31				
	2325	5260	1887	1.96	2031	2.36	2160	2.77	2283	3.19	2403	3.64						
	2625	5938	2092	2.68	2226	3.15	2346	3.61										
	2925	6617	2299	3.58														
165 TCNHBLE 10	1400	2568	1140	.43	1354	.67	1547	.94	1732	1.26	1905	1.61	2067	1.99	2218	2.40	2359	2.82
	1700	3119	1294	.65	1481	.92	1652	1.21	1812	1.54	1968	1.90	2118	2.30	2261	2.72	2399	3.17
	2000	3669	1457	.94	1621	1.24	1778	1.57	1923	1.92	2060	2.30	2195	2.70	2326	3.14		
	2300	4220	1624	1.31	1775	1.66	1914	2.02	2049	2.41	2176	2.81	2297	3.23	2414	3.67		
	2600	4770	1794	1.78	1936	2.18	2061	2.57	2184	2.99	2303	3.43						
	2900	5321	1968	2.36	2100	2.81	2217	3.24	2328	3.69								
	3200	5871	2144	3.06	2267	3.56	2379	4.05										
3500	6422	2322	3.90															
165 TCNHBLE 11	1650	2499	1157	.47	1361	.73	1550	1.02	1731	1.35	1903	1.72	2066	2.13	2217	2.55	2360	3.00
	1975	2992	1307	.70	1485	.98	1651	1.29	1808	1.64	1963	2.02	2112	2.44	2256	2.88	2394	3.36
	2300	3484	1464	.99	1621	1.30	1772	1.65	1913	2.02	2048	2.41	2182	2.83	2313	3.29		
	2625	3977	1625	1.36	1769	1.72	1903	2.09	2034	2.49	2158	2.91	2277	3.34	2395	3.81		
	2950	4469	1788	1.82	1924	2.23	2044	2.63	2163	3.06	2280	3.51	2391	3.98				
	3275	4962	1955	2.38	2081	2.84	2195	3.29	2302	3.74	2409	4.22						
	3600	5454	2125	3.06	2241	3.56	2350	4.06										
3925	5946	2296	3.86	2404	4.41													
165 TCNHBLE 12	2000	2547	1225	.58	1411	.86	1585	1.17	1755	1.52	1920	1.92	2078	2.35	2227	2.80	2368	3.28
	2400	3057	1399	.87	1558	1.18	1711	1.53	1856	1.90	1999	2.30	2139	2.74	2276	3.21	2410	3.72
	2800	3566	1578	1.26	1720	1.61	1855	1.99	1986	2.39	2111	2.82	2233	3.26	2355	3.75		
	3200	4076	1761	1.75	1893	2.16	2012	2.57	2130	3.01	2245	3.47	2355	3.94				
	3600	4585	1948	2.37	2069	2.83	2179	3.29	2285	3.76	2390	4.25						
	4000	5095	2138	3.13	2249	3.64	2353	4.15										
	4400	5605	2330	4.04														
165 TCNHBLE 13	2350	2548	1298	.70	1468	1.00	1628	1.33	1786	1.70	1942	2.11	2093	2.56	2239	3.04	2377	3.55
	2750	2982	1462	1.00	1611	1.33	1754	1.70	1891	2.09	2026	2.51	2160	2.97	2292	3.46		
	3150	3416	1630	1.38	1766	1.76	1893	2.16	2017	2.58	2137	3.02	2254	3.49	2373	4.00		
	3550	3850	1801	1.85	1928	2.29	2042	2.72	2155	3.18	2265	3.66	2372	4.15				
	3950	4284	1976	2.44	2093	2.93	2200	3.41	2302	3.89	2402	4.40						
	4350	4718	2154	3.15	2260	3.68	2362	4.21										
	4750	5151	2333	3.99														
165 TCNHBLE 14	2700	2525	1377	.83	1533	1.15	1682	1.51	1826	1.89	1971	2.31	2114	2.78	2253	3.28	2388	3.81
	3000	2806	1494	1.05	1638	1.41	1776	1.79	1908	2.19	2037	2.62	2168	3.09	2297	3.60		
	3300	3086	1614	1.32	1749	1.71	1875	2.11	1998	2.54	2118	2.99	2235	3.46	2353	3.97		
	3600	3367	1735	1.63	1862	2.05	1980	2.49	2095	2.94	2207	3.41	2315	3.90				
	3900	3648	1859	1.99	1979	2.46	2089	2.91	2196	3.39	2301	3.89	2404	4.40				
	4200	3928	1984	2.41	2096	2.91	2201	3.40	2302	3.90	2400	4.42						
	4500	4209	2110	2.89	2215	3.42	2316	3.95	2411	4.48								
4800	4490	2237	3.44	2336	3.99													
5100	4770	2365	4.05															
165 TCNHBLE 15	3100	2526	1482	1.01	1626	1.37	1763	1.75	1894	2.16	2024	2.60	2154	3.07	2283	3.59	2411	4.14
	3450	2811	1616	1.30	1749	1.70	1874	2.11	1995	2.54	2113	2.99	2229	3.48	2346	4.00		
	3800	3096	1753	1.65	1877	2.08	1993	2.53	2105	2.99	2214	3.47	2320	3.97				
	4150	3382	1892	2.05	2007	2.53	2115	3.00	2220	3.50	2322	4.01						
	4500	3667	2032	2.53	2140	3.04	2242	3.56	2340	4.08								
	4850	3952	2175	3.08	2274	3.63	2371	4.18										
	5200	4237	2318	3.72	2411	4.29												
165 TCNHBLE 16	3500	2507	1597	1.24	1731	1.63	1857	2.05	1977	2.47	2094	2.92	2211	3.41	2328	3.92		
	3800	2722	1712	1.51	1837	1.94	1955	2.38	2068	2.83	2177	3.30	2285	3.79	2392	4.32		
	4100	2936	1827	1.82	1945	2.28	2056	2.75	2163	3.23	2266	3.72	2367	4.24				
	4400	3151	1944	2.18	2054	2.67	2160	3.17	2261	3.68	2360	4.20						
	4700	3366	2062	2.58	2165	3.10	2266	3.63	2362	4.17								
	5000	3581	2181	3.04	2278	3.58	2374	4.15										
	5300	3796	2301	3.55	2392	4.12												
165 TCNHBLE 17	3950	2506	1747	1.58	1868	2.02	1985	2.47	2094	2.93	2200	3.41	2303	3.90	2406	4.42		
	4150	2633	1823	1.79	1939	2.24	2051	2.72	2158	3.20	2259	3.69	2358	4.19				
	4350	2760	1900	2.01	2010	2.48	2119	2.98	2222	3.48	2321	4.00						
	4550	2887	1978	2.26	2083	2.75	2187	3.26	2288	3.79	2384	4.32						
	4750	3013	2056	2.53	2156	3.03	2257	3.57	2355	4.12								
	4950	3140	2134	2.82	2231	3.34	2327	3.89										
	5150	3267	2212	3.13	2306	3.67	2398	4.24										
5350	3394	2291	3.46	2381	4.03													
165 TCNHBLE 18	4450	2518	1936	2.12	2041	2.59	2149	3.10	2251	3.61	2347	4.13						
	4600	2603	1994	2.31	2096	2.79	2200	3.31	2301	3.85	2395	4.38						
	4750	2688	2052	2.51	2151	3.00	2252	3.54	2350	4.09								
	4900	2773	2111	2.73	2207	3.23	2304	3.77	2401	4.34								
	5050	2857	2169	2.95	2263	3.47	2357	4.02										
	5200	2942	2228	3.19	2319	3.72	2410	4.28										
	5350	3027	2287	3.44	2376	3.99												

Performance certified is for installation Type A: Free inlet, Free outlet. Power rating (BHP) does not include transmission losses. Performance ratings do not include the effects of appurtenances (accessories).

180 TCNHBLE

SIZE	CFM	OV	0.500" SP		1.000" SP		1.500" SP		2.000" SP		2.500" SP		3.000" SP		3.500" SP		4.000" SP	
			RPM	BHP	RPM	BHP	RPM	BHP	RPM	BHP	RPM	BHP	RPM	BHP	RPM	BHP	RPM	BHP
180 TCNHBLE 9	1125	2545	1072	.44	1291	.69	1470	.96	1632	1.26	1782	1.58	1921	1.92	2051	2.29	2174	2.67
	1475	3337	1266	.76	1457	1.08	1626	1.41	1773	1.76	1907	2.11	2034	2.49	2155	2.88	2270	3.30
	1825	4128	1468	1.23	1642	1.62	1793	2.01	1934	2.43	2062	2.85	2180	3.27	2290	3.71		
	2175	4920	1674	1.87	1841	2.36	1978	2.82	2105	3.29	2226	3.77	2340	4.27				
	2525	5712	1884	2.70	2044	3.31	2175	3.86	2292	4.39								
	2875	6504	2100	3.78	2248	4.48	2377	5.15										
	3225	7296	2318	5.13														
180 TCNHBLE 10	1400	2568	1060	.48	1266	.74	1449	1.03	1617	1.36	1773	1.71	1918	2.09	2054	2.49	2181	2.91
	1800	3302	1248	.81	1422	1.13	1582	1.47	1729	1.83	1868	2.21	2001	2.62	2127	3.05	2248	3.51
	2200	4036	1444	1.29	1600	1.68	1740	2.06	1873	2.48	1997	2.90	2116	3.35	2230	3.81	2341	4.30
	2600	4770	1645	1.94	1791	2.41	1916	2.86	2034	3.32	2149	3.80	2258	4.29	2362	4.80		
	3000	5504	1851	2.80	1987	3.36	2104	3.88	2211	4.39	2314	4.92						
	3400	6238	2060	3.88	2186	4.53	2298	5.15										
	3800	6972	2273	5.24	2389	5.97												
180 TCNHBLE 11	1650	2499	1055	.51	1253	.79	1438	1.11	1609	1.46	1768	1.84	1916	2.24	2053	2.67	2182	3.12
	2100	3181	1240	.86	1404	1.18	1559	1.54	1707	1.92	1849	2.34	1985	2.78	2115	3.25	2238	3.73
	2550	3863	1434	1.35	1578	1.73	1711	2.13	1840	2.56	1964	3.01	2085	3.49	2203	4.00	2317	4.52
	3000	4545	1634	2.01	1766	2.47	1883	2.92	1996	3.40	2106	3.89	2214	4.41	2319	4.95		
	3450	5227	1838	2.88	1960	3.42	2068	3.94	2169	4.46	2268	5.01	2364	5.57				
	3900	5909	2046	3.98	2157	4.60	2260	5.21	2353	5.79								
	4350	6590	2256	5.35	2359	6.05												
180 TCNHBLE 12	2000	2547	1097	.61	1279	.91	1455	1.26	1623	1.65	1780	2.07	1927	2.51	2064	2.98	2193	3.46
	2500	3184	1286	.99	1436	1.34	1581	1.72	1724	2.15	1863	2.61	1996	3.10	2125	3.61	2248	4.14
	3000	3821	1483	1.53	1615	1.94	1738	2.37	1859	2.83	1979	3.32	2096	3.85	2212	4.40	2325	4.98
	3500	4458	1685	2.26	1805	2.74	1914	3.22	2019	3.72	2123	4.25	2226	4.80	2328	5.39		
	4000	5095	1891	3.19	2001	3.76	2101	4.31	2195	4.86	2287	5.42	2378	6.01				
	4500	5732	2101	4.38	2200	5.01	2293	5.64	2380	6.25								
	5000	6369	2313	5.85														
180 TCNHBLE 13	2350	2548	1145	.71	1312	1.03	1478	1.41	1640	1.84	1792	2.29	1937	2.77	2073	3.27	2201	3.80
	2850	3091	1321	1.09	1461	1.46	1599	1.87	1736	2.32	1872	2.82	2004	3.34	2131	3.89	2253	4.46
	3350	3633	1503	1.61	1628	2.03	1745	2.47	1862	2.95	1979	3.48	2096	4.04	2211	4.63	2323	5.24
	3850	4175	1690	2.28	1803	2.77	1908	3.26	2010	3.78	2111	4.32	2213	4.91	2315	5.53		
	4350	4718	1880	3.13	1983	3.69	2079	4.24	2171	4.80	2261	5.38	2351	5.99				
	4850	5260	2073	4.20	2167	4.81	2257	5.43	2341	6.05								
	5350	5802	2267	5.48	2354	6.16												
180 TCNHBLE 14	2700	2525	1197	.81	1351	1.16	1506	1.56	1660	2.02	1807	2.50	1949	3.02	2083	3.57	2210	4.13
	3200	2993	1364	1.20	1497	1.59	1626	2.01	1757	2.49	1887	3.01	2015	3.57	2139	4.16	2259	4.76
	3700	3461	1536	1.70	1654	2.14	1767	2.60	1879	3.10	1992	3.65	2105	4.24	2217	4.86	2327	5.51
	4200	3928	1712	2.35	1819	2.84	1920	3.35	2019	3.88	2118	4.45	2217	5.05	2317	5.70		
	4700	4396	1890	3.15	1989	3.70	2081	4.26	2170	4.83	2259	5.43	2347	6.06				
	5200	4864	2070	4.13	2161	4.74	2247	5.35	2329	5.97								
	5700	5332	2252	5.30	2336	5.97												
180 TCNHBLE 15	3100	2526	1272	.96	1413	1.33	1554	1.76	1694	2.24	1834	2.76	1969	3.31	2099	3.89	2223	4.49
	3600	2933	1433	1.37	1556	1.78	1677	2.23	1799	2.73	1920	3.28	2042	3.87	2160	4.48	2276	5.13
	4100	3341	1598	1.89	1709	2.34	1816	2.83	1922	3.35	2028	3.92	2135	4.53	2241	5.18	2348	5.86
	4600	3748	1765	2.53	1867	3.04	1964	3.57	2058	4.12	2153	4.71	2248	5.34	2343	6.01		
	5100	4156	1935	3.33	2029	3.89	2118	4.46	2204	5.05	2289	5.67	2374	6.32				
	5600	4563	2105	4.27	2194	4.89	2276	5.51	2356	6.15								
	6100	4971	2278	5.39	2360	6.07												
180 TCNHBLE 16	3500	2507	1353	1.14	1483	1.54	1613	1.98	1741	2.48	1869	3.02	1996	3.60	2119	4.21	2239	4.85
	4000	2865	1509	1.57	1626	2.01	1739	2.48	1852	3.00	1965	3.57	2076	4.17	2188	4.81	2298	5.48
	4500	3223	1669	2.12	1775	2.60	1876	3.10	1977	3.65	2078	4.24	2178	4.87	2277	5.53	2376	6.22
	5000	3581	1830	2.77	1929	3.31	2021	3.86	2112	4.44	2202	5.04	2293	5.70	2383	6.39		
	5500	3939	1993	3.57	2085	4.16	2170	4.75	2254	5.37	2336	6.01						
	6000	4297	2156	4.50	2244	5.16	2324	5.80										
	6500	4656	2321	5.60														
180 TCNHBLE 17	3950	2506	1457	1.40	1578	1.83	1696	2.30	1813	2.82	1927	3.37	2041	3.96	2155	4.59	2267	5.25
	4350	2760	1580	1.78	1691	2.24	1799	2.73	1907	3.28	2012	3.85	2115	4.46	2219	5.10	2322	5.78
	4750	3013	1704	2.22	1808	2.72	1908	3.24	2006	3.80	2104	4.40	2200	5.03	2295	5.70		
	5150	3267	1829	2.73	1928	3.27	2020	3.82	2112	4.41	2202	5.03	2293	5.70	2381	6.38		
	5550	3521	1955	3.33	2049	3.91	2136	4.49	2221	5.10	2306	5.76						
	5950	3775	2081	4.00	2172	4.63	2254	5.25	2334	5.89								
	6350	4029	2208	4.76	2296	5.45	2374	6.11										
6750	4282	2335	5.62															
180 TCNHBLE 18	4450	2518	1585	1.78	1698	2.25	1806	2.75	1913	3.30	2016	3.88	2116	4.47	2216	5.11	2316	5.77
	4800	2716	1691	2.15	1798	2.66	1899	3.18	1999	3.75	2097	4.36	2192	4.98	2284	5.62	2376	6.30
	5150	2914	1798	2.58	1900	3.12	1995	3.67	2088	4.25	2182	4.89	2272	5.54	2360	6.22		
	5500	3112	1905	3.05	2004	3.64	2093	4.21	2181	4.82	2269	5.48	2355	6.16				
	5850	3310	2013	3.59	2108	4.21	2194	4.83	2276	5.45	2359	6.13						
	6200	3508	2121	4.19	2214	4.86	2296	5.51	2374	6.16								
	6550	3706	2229	4.85	2320	5.57												
6900	3904	2338	5.59															
180 TCNHBLE 19	4950	2513	1724	2.27	1832	2.80	1932	3.34	2032	3.93	2129	4.55	2220	5.17	2307	5.80		
	5250	2666	1814	2.64	1919	3.20	2014	3.76	2108	4.37	2202	5.02	2292	5.69	2376	6.34		
	5550	2818	1904	3.04	2007	3.64	2098	4.23	2186	4.85	2276	5.52	2363	6.22				
	5850	2971	1995	3.48	2095	4.13	2183	4.75	2267	5.38	2352	6.07						
	6150	3123	2086	3.97	2184	4.66	2269	5.31	2350	5.97								
	6450	3275	2176	4.50	2273	5.23	2356	5.92										
	6750	3428	2268	5.08	2363	5.86												
7050	3580	2359	5.71															

Performance certified is for installation Type A: Free inlet, Free outlet. Power rating (BHP) does not include transmission losses. Performance ratings do not include the effects of appurtenances (accessories).

195 TCNHBLE Data

195 TCNHBLE

SIZE	CFM	OV	0.500" SP		1.000" SP		1.500" SP		2.000" SP		2.500" SP		3.000" SP		3.500" SP		4.000" SP	
			RPM	BHP	RPM	BHP	RPM	BHP	RPM	BHP	RPM	BHP	RPM	BHP	RPM	BHP	RPM	BHP
195 TCNHBLE 10	1400	2568	990	.54	1182	.85	1347	1.19	1494	1.55	1629	1.95	1754	2.38	1871	2.83	2068	4.01
	1800	3302	1158	.91	1329	1.28	1477	1.68	1612	2.10	1737	2.54	1853	3.00	1964	3.50	2068	4.01
	2200	4036	1331	1.43	1491	1.89	1626	2.35	1749	2.82	1864	3.32	1972	3.83	2076	4.38	2174	4.93
	2600	4770	1509	2.13	1661	2.70	1787	3.24	1901	3.78	2007	4.33	2108	4.90	2204	5.49		
	3000	5504	1692	3.05	1834	3.72	1955	4.36	2063	4.98	2162	5.60						
	3400	6238	1879	4.22	2010	4.99	2127	5.74										
	3800	6972	2069	5.68	2190	6.54												
195 TCNHBLE 11	1650	2499	950	.53	1141	.84	1316	1.20	1475	1.60	1620	2.04	1755	2.52	1879	3.01	1996	3.54
	2200	3333	1142	.98	1300	1.35	1445	1.75	1582	2.20	1712	2.68	1836	3.19	1954	3.74	2066	4.31
	2750	4166	1342	1.64	1486	2.11	1610	2.58	1728	3.07	1841	3.59	1950	4.14	2056	4.73	2160	5.35
	3300	4999	1548	2.57	1683	3.17	1796	3.72	1900	4.27	2000	4.85	2096	5.45	2190	6.07		
	3850	5833	1759	3.82	1884	4.54	1992	5.21	2088	5.85	2178	6.50						
	4400	6666	1973	5.44	2089	6.28	2192	7.08										
	4950	7499	2191	7.49														
195 TCNHBLE 12	2000	2547	959	.60	1144	.94	1318	1.33	1479	1.77	1627	2.24	1763	2.75	1890	3.29	2009	3.85
	2600	3312	1143	1.07	1292	1.45	1434	1.88	1572	2.36	1705	2.88	1831	3.44	1951	4.02	2065	4.64
	3200	4076	1334	1.74	1468	2.22	1586	2.69	1702	3.20	1816	3.76	1928	4.36	2036	4.99	2142	5.65
	3800	4840	1530	2.66	1655	3.25	1761	3.80	1861	4.37	1959	4.96	2056	5.60	2152	6.26		
	4400	5605	1729	3.87	1847	4.59	1947	5.26	2037	5.89	2124	6.54						
	5000	6369	1932	5.43	2041	6.27	2137	7.06										
	5600	7133	2137	7.38														
195 TCNHBLE 13	2350	2548	975	.68	1151	1.03	1324	1.46	1484	1.93	1632	2.44	1768	2.98	1896	3.56	2015	4.15
	3000	3253	1155	1.16	1296	1.57	1434	2.02	1571	2.54	1704	3.10	1831	3.70	1952	4.33	2066	4.98
	3650	3958	1343	1.85	1468	2.35	1581	2.84	1695	3.39	1808	3.98	1920	4.63	2030	5.31	2136	6.01
	4300	4663	1533	2.78	1650	3.39	1751	3.96	1847	4.55	1943	5.17	2040	5.85	2136	6.56		
	4950	5368	1726	3.99	1837	4.73	1931	5.40	2018	6.06	2102	6.74	2185	7.44				
	5600	6073	1923	5.53	2026	6.39	2117	7.20										
	6250	6778	2121	7.43														
195 TCNHBLE 14	2700	2525	997	.76	1164	1.14	1331	1.59	1489	2.10	1636	2.64	1772	3.22	1899	3.82	2018	4.45
	3400	3180	1176	1.26	1310	1.69	1443	2.18	1576	2.73	1708	3.33	1834	3.97	1954	4.64	2068	5.33
	4100	3835	1362	1.98	1480	2.49	1589	3.02	1699	3.59	1811	4.24	1921	4.92	2030	5.64	2136	6.40
	4800	4490	1551	2.93	1661	3.56	1757	4.15	1850	4.77	1944	5.44	2039	6.15	2134	6.91		
	5500	5144	1743	4.16	1846	4.91	1936	5.61	2018	6.29	2100	7.00	2181	7.74				
	6200	5799	1937	6.50	2034	6.59	2119	7.41										
	6900	6454	2133	7.61														
195 TCNHBLE 15	3100	2526	1035	.87	1190	1.27	1348	1.76	1501	2.30	1644	2.88	1778	3.49	1904	4.13	2022	4.79
	3800	3096	1205	1.37	1331	1.83	1458	2.34	1587	2.92	1715	3.56	1839	4.23	1957	4.94	2069	5.66
	4500	3667	1379	2.06	1492	2.60	1597	3.15	1704	3.75	1813	4.42	1922	5.14	2029	5.90	2134	6.69
	5200	4237	1556	2.95	1661	3.60	1754	4.21	1845	4.85	1937	5.54	2031	6.29	2125	7.08		
	5900	4808	1735	4.08	1834	4.84	1920	5.55	2001	6.24	2081	6.97	2162	7.74				
	6600	5378	1916	5.48	2010	6.37	2092	7.19	2166	7.96								
	7300	5949	2099	7.19	2187	8.20												
195 TCNHBLE 16	3500	2507	1078	.98	1221	1.41	1369	1.92	1515	2.50	1654	3.11	1785	3.76	1909	4.43	2025	5.13
	4200	3008	1241	1.49	1360	1.97	1480	2.51	1603	3.12	1726	3.78	1846	4.49	1962	5.23	2073	5.99
	4900	3510	1406	2.16	1514	2.72	1615	3.30	1717	3.92	1823	4.62	1929	5.37	2034	6.16	2137	6.99
	5600	4011	1575	3.02	1675	3.68	1764	4.31	1853	4.98	1942	5.68	2034	6.46	2127	7.29		
	6300	4512	1745	4.09	1839	4.85	1922	5.57	2001	6.29	2079	7.03	2159	7.83				
	7000	5014	1917	5.40	2006	6.28	2084	7.08	2157	7.88								
	7700	5515	2090	6.97	2174	7.96												
195 TCNHBLE 17	3950	2506	1137	1.14	1267	1.60	1402	2.13	1538	2.73	1671	3.38	1796	4.06	1917	4.77	2031	5.51
	4550	2887	1272	1.59	1386	2.09	1500	2.64	1618	3.27	1736	3.96	1852	4.69	1964	5.44	2073	6.23
	5150	3267	1409	2.14	1513	2.71	1612	3.29	1714	3.94	1818	4.65	1922	5.41	2027	6.23	2128	7.06
	5750	3648	1548	2.82	1645	3.46	1734	4.09	1823	4.75	1915	5.49	2008	6.28	2101	7.11		
	6350	4029	1688	3.63	1779	4.35	1862	5.04	1942	5.75	2024	6.51	2106	7.30	2190	8.16		
	6950	4409	1829	4.60	1916	5.40	1994	6.16	2068	6.92	2141	7.70						
	7550	4790	1971	5.73	2054	6.62	2128	7.46										
8150	5171	2114	7.04															
195 TCNHBLE 18	4450	2518	1212	1.36	1331	1.85	1452	2.40	1575	3.02	1698	3.70	1816	4.41	1931	5.15	2042	5.93
	5000	2829	1333	1.79	1440	2.32	1546	2.90	1654	3.54	1764	4.25	1874	5.00	1981	5.79	2085	6.61
	5550	3140	1456	2.32	1555	2.90	1649	3.51	1745	4.17	1844	4.90	1942	5.68	2041	6.50	2138	7.36
	6100	3452	1581	2.94	1673	3.59	1759	4.24	1845	4.92	1933	5.67	2023	6.47	2113	7.33		
	6650	3763	1706	3.67	1793	4.39	1873	5.08	1952	5.81	2032	6.58	2112	7.39				
	7200	4074	1831	4.51	1914	5.30	1990	6.06	2063	6.83	2136	7.63						
	7750	4385	1958	5.49	2037	6.35	2109	7.17	2178	7.99								
8300	4697	2086	6.61	2161	7.54													
195 TCNHBLE 19	4950	2513	1294	1.62	1403	2.14	1512	2.71	1623	3.35	1733	4.03	1843	4.77	1951	5.54	2055	6.33
	5450	2767	1404	2.05	1503	2.61	1602	3.21	1701	3.86	1802	4.58	1902	5.34	2002	6.14	2101	6.98
	5950	3021	1514	2.55	1606	3.15	1696	3.79	1787	4.47	1879	5.21	1971	5.99	2063	6.82	2155	7.68
	6450	3275	1626	3.14	1712	3.79	1795	4.46	1879	5.17	1962	5.92	2047	6.73	2132	7.58		
	6950	3529	1738	3.81	1820	4.52	1897	5.22	1974	5.97	2052	6.75	2130	7.58				
	7450	3783	1851	4.58	1929	5.34	2001	6.09	2073	6.87	2145	7.68						
	7950	4037	1964	5.44	2039	6.27	2107	7.06	2175	7.88								
8450	4291	2078	6.42	2150	7.31													
195 TCNHBLE 20	5500	2520	1397	2.00	1494	2.55	1593	3.15	1692	3.80	1790	4.50	1888	5.23	1985	6.01	2080	6.81
	5950	2726	1495	2.44	1585	3.01	1677	3.65	1768	4.32	1859	5.04	1950	5.81	2040	6.60	2130	7.44
	6400	2933	1595	2.94	1679	3.55	1763	4.21	1849	4.92	1933	5.66	2018	6.45	2102	7.27	2186	8.13
	6850	3139	1695	3.50	1774	4.16	1853	4.85	1932	5.58	2012	6.36	2091	7.17	2170	8.02		
	7300	3345	1796	4.15	1871	4.84	1944	5.56	2018	6.32	2093	7.13	2168	7.97				
	7750	3551	1897	4.86	1969	5.61	2037	6.35	2107	7.15	2178	7.99						
	8200	3758	1998	5.66	2067	6.45	2133	7.24										
8650	3964	2100	6.54	2167	7.40													

210 TCNHBLE Performance certified is for installation type B: Free inlet, Ducted outlet. Power rating (BHP) does not include transmission losses. Performance ratings do

SIZE	CFM	OV	0.500" SP		1.000" SP		1.500" SP		2.000" SP		2.500" SP		3.000" SP		3.500" SP		4.000" SP		
			RPM	BHP	RPM	BHP	RPM	BHP	RPM	BHP	RPM	BHP	RPM	BHP	RPM	BHP	RPM	BHP	
210 TCNHBLE 11	1650	2499	898	.61	1086	.98	1238	1.37	1376	1.81	1504	2.29	1623	2.80	1734	3.34			
	2150	3257	1051	1.02	1219	1.49	1363	1.97	1488	2.47	1603	2.99	1711	3.54					
	2650	4015	1224	1.65	1363	2.17	1497	2.75	1619	3.36	1727	3.96							
	3150	4772	1405	2.54	1523	3.12	1640	3.76	1754	4.46									
	3650	5530	1588	3.71	1696	4.39													
4150	6287	1773	5.21																
210 TCNHBLE 12	2000	2547	903	.67	1081	1.06	1230	1.47	1368	1.93	1498	2.44	1618	2.98	1731	3.55			
	2550	3248	1052	1.10	1209	1.57	1346	2.07	1468	2.58	1582	3.11	1692	3.70					
	3100	3949	1216	1.74	1348	2.27	1475	2.85	1590	3.45	1695	4.06							
	3650	4649	1387	2.62	1501	3.21	1612	3.86	1720	4.55									
	4200	5350	1561	3.76	1664	4.44	1761	5.14											
4750	6050	1736	5.21																
210 TCNHBLE 13	2350	2548	914	.74	1083	1.15	1229	1.58	1366	2.06	1496	2.60	1617	3.17	1731	3.79			
	2950	3199	1062	1.20	1208	1.68	1340	2.19	1459	2.71	1573	3.28	1683	3.89					
	3550	3850	1221	1.85	1346	2.39	1466	2.99	1577	3.60	1679	4.22	1776	4.87					
	4150	4501	1387	2.74	1496	3.35	1601	4.00	1704	4.70									
	4750	5151	1556	3.88	1654	4.58	1747	5.29											
5350	5802	1725	5.31																
210 TCNHBLE 14	2700	2525	929	.81	1089	1.24	1232	1.70	1368	2.21	1497	2.77	1618	3.38	1732	4.03			
	3350	3133	1077	1.29	1215	1.79	1342	2.32	1459	2.88	1570	3.46	1680	4.11	1786	4.80			
	4000	3741	1235	1.97	1353	2.53	1467	3.14	1574	3.77	1674	4.42	1770	5.10					
	4650	4349	1399	2.88	1503	3.51	1603	4.18	1701	4.90									
	5300	4957	1565	4.04	1659	4.76	1748	5.50											
5950	5565	1732	5.48																
210 TCNHBLE 15	3100	2526	958	.92	1109	1.37	1246	1.86	1377	2.39	1504	2.99	1624	3.64	1737	4.32			
	3750	3056	1098	1.40	1227	1.90	1350	2.46	1463	3.04	1574	3.67	1682	4.34					
	4400	3585	1245	2.04	1358	2.62	1467	3.24	1571	3.89	1669	4.56	1764	5.27					
	5050	4115	1396	2.88	1497	3.53	1593	4.21	1688	4.93	1780	5.69							
	5700	4645	1549	3.94	1642	4.68	1729	5.42											
6350	5175	1704	5.24																
210 TCNHBLE1 6	3500	2507	990	1.03	1131	1.50	1262	2.01	1389	2.58	1513	3.21	1631	3.89	1742	4.60			
	4150	2972	1124	1.50	1246	2.03	1363	2.61	1473	3.21	1581	3.87	1687	4.58					
	4800	3438	1262	2.13	1370	2.72	1474	3.35	1575	4.03	1671	4.72	1764	5.45					
	5450	3904	1403	2.92	1502	3.59	1594	4.27	1686	5.01	1775	5.77							
	6100	4369	1547	3.90	1638	4.66	1722	5.40											
6750	4835	1693	5.10	1776	5.93														
210 TCNHBLE 17	3950	2506	1035	1.17	1165	1.67	1289	2.21	1410	2.81	1528	3.47	1643	4.18	1752	4.93			
	4600	2918	1164	1.66	1277	2.21	1388	2.81	1494	3.45	1598	4.13	1701	4.87					
	5250	3331	1296	2.28	1399	2.90	1497	3.55	1593	4.24	1686	4.97	1777	5.73					
	5900	3743	1430	3.05	1525	3.75	1613	4.45	1700	5.19	1786	5.98							
	6550	4156	1567	4.00	1655	4.77	1736	5.54											
7200	4568	1706	5.14																
210 TCNHBLE 18	4450	2518	1093	1.37	1211	1.88	1327	2.46	1440	3.09	1551	3.77	1661	4.52	1767	5.30			
	5050	2857	1208	1.83	1315	2.40	1418	3.02	1520	3.69	1619	4.40	1717	5.16					
	5650	3197	1325	2.40	1424	3.04	1517	3.70	1609	4.41	1700	5.16							
	6250	3537	1445	3.10	1537	3.80	1622	4.51	1706	5.26									
	6850	3876	1566	3.92	1652	4.70	1731	5.46											
7450	4216	1688	4.89	1768	5.73														
210 TCNHBLE 19	4950	2513	1153	1.58	1262	2.12	1369	2.72	1475	3.38	1579	4.08	1683	4.86	1785	5.68			
	5500	2793	1257	2.03	1357	2.62	1454	3.25	1550	3.94	1644	4.67	1739	5.47					
	6050	3072	1361	2.55	1456	3.21	1543	3.88	1632	4.61	1719	5.37							
	6600	3351	1468	3.18	1557	3.90	1638	4.61	1718	5.36									
	7150	3631	1576	3.92	1659	4.69	1736	5.46											
7700	3910	1684	4.76	1762	5.59														
210 TCNHBLE 20	5500	2520	1227	1.86	1327	2.44	1424	3.05	1522	3.74	1619	4.47	1716	5.27					
	6000	2749	1320	2.30	1414	2.92	1503	3.57	1593	4.28	1682	5.04	1770	5.84					
	6500	2978	1414	2.81	1503	3.48	1585	4.16	1668	4.90	1750	5.68							
	7000	3208	1508	3.38	1593	4.12	1671	4.85	1747	5.60									
	7500	3437	1604	4.05	1685	4.84	1759	5.62											
8000	3666	1701	4.81	1776	5.63														
210 TCNHBLE 21	6050	2515	1306	2.20	1399	2.81	1487	3.44	1576	4.14	1666	4.90	1756	5.72					
	6450	2681	1380	2.58	1469	3.23	1551	3.88	1635	4.60	1719	5.38							
	6850	2848	1454	3.00	1540	3.70	1618	4.38	1696	5.12	1775	5.91							
	7250	3014	1529	3.47	1611	4.21	1686	4.93	1759	5.68									
	7650	3180	1604	3.99	1683	4.77	1755	5.53											
8050	3347	1680	4.56	1755	5.37														
210 TCNHBLE 22	6600	2500	1392	2.62	1479	3.27	1558	3.91	1639	4.62	1721	5.39							
	7000	2652	1466	3.04	1549	3.73	1625	4.41	1700	5.13	1777	5.91							
	7400	2804	1540	3.51	1620	4.24	1693	4.96	1763	5.69									
	7800	2955	1615	4.02	1691	4.79	1762	5.55											
	8200	3107	1690	4.59	1763	5.40													
210 TCNHBLE 23	7250	2512	1505	3.27	1585	3.97	1657	4.64	1728	5.36									
	7500	2599	1552	3.57	1629	4.29	1700	4.99	1768	5.71									
	7750	2686	1598	3.88	1674	4.63	1743	5.36											
	8000	2772	1645	4.23	1719	5.00	1786	5.75											
	8250	2859	1691	4.58	1763	5.37													
210 TCNHBLE 24	7900	2514	1629	4.12	1702	4.86	1768	5.58											
	8000	2546	1648	4.26	1720	5.01	1786	5.75											
	8100	2577	1667	4.40	1738	5.16													
	8200	2609	1685	4.54	1756	5.32													
	8300	2641	1704	4.69	1774	5.48													

Performance certified is for installation Type A: Free inlet, Free outlet. Power rating (BHP) does not include transmission losses. Performance ratings do not include the effects of appurtenances (accessories).

225 TCNHBLE Data

225 TCNHBLE

SIZE	CFM	OV	0.500" SP		1.000" SP		1.500" SP		2.000" SP		2.500" SP		3.000" SP		3.500" SP		4.000" SP	
			RPM	BHP	RPM	BHP	RPM	BHP	RPM	BHP	RPM	BHP	RPM	BHP	RPM	BHP	RPM	BHP
225 TCNHBLE 12	2000	2547	855	.76	1021	1.19	1156	1.64	1277	2.12	1390	2.65	1495	3.21	1595	3.81		
	2700	3439	1042	1.44	1177	1.96	1304	2.54	1416	3.14	1516	3.74	1609	4.36				
	3400	4331	1236	2.48	1359	3.15	1465	3.80	1568	4.52								
	4100	5222	1437	3.96	1551	4.80	1647	5.59										
	4800	6114	1644	5.99														
225 TCNHBLE 13	2350	2548	840	.78	998	1.21	1133	1.67	1259	2.18	1377	2.75	1487	3.36	1591	4.01		
	3150	3416	1022	1.48	1152	2.00	1272	2.57	1380	3.15	1480	3.76	1577	4.42				
	3950	4284	1213	2.53	1328	3.19	1430	3.84	1529	4.55	1621	5.27						
	4750	5151	1411	4.04	1515	4.85	1606	5.62										
	5550	6019	1614	6.10														
225 TCNHBLE 14	2700	2525	835	.82	987	1.26	1122	1.74	1251	2.29	1371	2.89	1484	3.54	1589	4.22		
	3600	3367	1015	1.54	1140	2.07	1256	2.65	1362	3.25	1463	3.89	1562	4.59	1657	5.33		
	4500	4209	1206	2.63	1314	3.29	1413	3.96	1508	4.68	1597	5.40						
	5400	5051	1404	4.19	1500	4.99	1587	5.78										
	6300	5893	1607	6.33														
225 TCNHBLE 15	3075	2506	840	.88	986	1.33	1121	1.85	1250	2.43	1371	3.06	1484	3.74	1590	4.47		
	4075	3321	1022	1.64	1142	2.20	1253	2.79	1357	3.42	1459	4.10	1557	4.83	1653	5.62		
	5075	4136	1216	2.79	1318	3.47	1412	4.16	1503	4.89	1590	5.65						
	6075	4951	1416	4.44	1505	5.25	1588	6.06										
	7075	5766	1620	6.68														
225 TCNHBLE 16	3525	2525	862	.99	1000	1.47	1131	2.01	1257	2.63	1376	3.30	1489	4.02	1594	4.78		
	4525	3241	1031	1.72	1146	2.30	1253	2.91	1356	3.57	1457	4.29	1555	5.06	1652	5.90		
	5525	3957	1210	2.80	1308	3.49	1401	4.20	1489	4.94	1575	5.72	1659	6.54				
	6525	4674	1394	4.30	1481	5.11	1562	5.92	1640	6.76								
	7525	5390	1582	6.29	1659	7.22												
225 TCNHBLE 17	4000	2538	890	1.11	1020	1.62	1145	2.19	1266	2.84	1384	3.55	1495	4.32	1600	5.13		
	5000	3172	1050	1.84	1160	2.44	1263	3.08	1363	3.77	1462	4.53	1559	5.33	1654	6.20		
	6000	3807	1218	2.87	1312	3.57	1402	4.31	1489	5.08	1573	5.88	1656	6.74				
	7000	4441	1390	4.27	1473	5.08	1553	5.92	1630	6.78								
	8000	5076	1566	6.10	1640	7.02												
225 TCNHBLE 18	4500	2546	924	1.25	1047	1.80	1164	2.39	1281	3.08	1394	3.82	1503	4.63	1606	5.47		
	5500	3112	1077	1.98	1182	2.62	1281	3.29	1377	4.01	1473	4.79	1568	5.64				
	6500	3678	1237	2.99	1328	3.73	1415	4.49	1498	5.27	1580	6.11						
	7500	4244	1401	4.33	1480	5.15	1558	6.01	1633	6.90								
	8500	4810	1567	6.04	1638	6.97												
225 TCNHBLE 19	5000	2539	961	1.41	1076	1.98	1187	2.61	1298	3.32	1407	4.09	1512	4.93	1614	5.82		
	6000	3047	1109	2.14	1209	2.81	1303	3.50	1395	4.25	1487	5.06	1579	5.94				
	7000	3555	1263	3.14	1349	3.89	1433	4.68	1513	5.49	1592	6.35						
	8000	4062	1420	4.44	1495	5.27	1570	6.15	1643	7.05								
	9000	4570	1578	6.06	1647	7.00												
225 TCNHBLE 20	5500	2520	1000	1.56	1110	2.18	1214	2.83	1318	3.56	1422	4.36	1524	5.23	1622	6.15		
	6500	2978	1145	2.32	1239	3.01	1330	3.74	1417	4.51	1506	5.35	1594	6.25				
	7500	3437	1294	3.32	1376	4.09	1457	4.91	1535	5.75	1611	6.63						
	8500	3895	1446	4.59	1518	5.44	1591	6.35										
	9500	4353	1599	6.17														
225 TCNHBLE 21	6100	2536	1058	1.82	1159	2.46	1256	3.15	1352	3.90	1449	4.74	1545	5.63	1639	6.58		
	7000	2910	1186	2.53	1275	3.24	1361	4.00	1445	4.80	1529	5.66	1613	6.58				
	7900	3284	1317	3.43	1395	4.20	1474	5.05	1550	5.91	1624	6.81						
	8800	3659	1450	4.53	1520	5.38	1591	6.29										
	9700	4033	1584	5.87	1649	6.81												
225 TCNHBLE 22	6600	2500	1105	2.03	1201	2.71	1292	3.42	1382	4.20	1473	5.04	1564	5.96	1654	6.93		
	7400	2804	1218	2.69	1302	3.41	1386	4.20	1467	5.02	1547	5.89	1628	6.82				
	8200	3107	1332	3.48	1408	4.26	1485	5.12	1559	5.99	1632	6.91						
	9000	3410	1448	4.43	1517	5.27	1587	6.18	1657	7.14								
	9800	3713	1565	5.55	1628	6.46												
225 TCNHBLE 23	7300	2530	1186	2.45	1272	3.17	1357	3.93	1440	4.74	1522	5.61	1605	6.54				
	7825	2712	1260	2.92	1339	3.66	1420	4.48	1497	5.31	1574	6.20	1651	7.15				
	8350	2894	1334	3.44	1408	4.22	1484	5.07	1558	5.96	1630	6.87						
	8875	3076	1409	4.03	1478	4.84	1550	5.74	1620	6.66								
	9400	3258	1484	4.68	1550	5.54	1617	6.46										
225 TCNHBLE 24	9925	3440	1559	5.40	1622	6.31												
	7900	2514	1259	2.89	1338	3.63	1417	4.43	1495	5.28	1571	6.16	1647	7.10				
	8325	2649	1319	3.30	1393	4.06	1469	4.90	1543	5.78	1615	6.68						
	8750	2784	1378	3.74	1449	4.54	1521	5.41	1592	6.31								
	9175	2920	1439	4.24	1506	5.06	1574	5.95	1643	6.90								
225 TCNHBLE 25	9600	3055	1499	4.77	1563	5.63	1629	6.55										
	10025	3190	1560	5.35	1622	6.25												
	8600	2522	1353	3.54	1424	4.31	1497	5.16	1569	6.05	1640	6.98						
	8900	2610	1396	3.87	1464	4.66	1534	5.52	1605	6.45								
	9200	2698	1438	4.22	1504	5.03	1572	5.92	1640	6.85								
225 TCNHBLE 26	9500	2786	1481	4.59	1545	5.43	1610	6.33										
	9800	2874	1524	4.99	1586	5.85	1649	6.76										
	10100	2962	1566	5.39	1627	6.29												
	9300	2522	1457	4.40	1521	5.20	1587	6.08	1654	7.02								
	9450	2563	1478	4.58	1542	5.41	1606	6.29										
9600	2603	1500	4.78	1562	5.61	1626	6.51											
9750	2644	1521	4.98	1583	5.83	1645	6.73											
9900	2685	1543	5.19	1603	6.04													
10050	2725	1564	5.40	1624	6.27													
10200	2766	1586	5.62	1645	6.51													

Performance certified is for installation Type A: Free inlet, Free outlet. Power rating (BHP) does not include transmission losses. Performance ratings do not include the effects of appurtenances (accessories).

245 TCNHBLE

SIZE	CFM	OV	0.500" SP		1.000" SP		1.500" SP		2.000" SP		2.500" SP		3.000" SP		3.500" SP		4.000" SP	
			RPM	BHP	RPM	BHP	RPM	BHP	RPM	BHP	RPM	BHP	RPM	BHP	RPM	BHP	RPM	BHP
245 TCNHBLE 13	2350	2548	769	.89	928	1.47	1064	2.12	1185	2.83	1295	3.60	1397	4.43				
	3200	3470	937	1.68	1066	2.36	1185	3.12	1295	3.96	1396	4.84	1490	5.76				
	4050	4392	1107	2.85	1229	3.75	1329	4.61	1426	5.54	1518	6.54						
	4900	5314	1280	4.48	1401	5.68	1493	6.71										
	5750	6236	1459	6.71														
245 TCNHBLE 14	2700	2525	763	.92	915	1.49	1048	2.13	1168	2.84	1278	3.62						
	3650	3414	929	1.73	1053	2.40	1167	3.15	1272	3.95	1371	4.82	1464	5.73				
	4600	4303	1099	2.93	1213	3.80	1310	4.65	1403	5.57	1491	6.53						
	5550	5191	1271	4.60	1383	5.75	1471	6.76										
	6500	6080	1450	6.89														
245 TCNHBLE 15	3100	2526	770	.99	914	1.56	1043	2.21	1161	2.93	1271	3.73						
	4100	3341	927	1.79	1047	2.47	1157	3.21	1259	4.01	1356	4.88	1448	5.80				
	5100	4156	1090	2.97	1199	3.83	1293	4.67	1384	5.58	1470	6.54						
	6100	4971	1256	4.60	1361	5.70	1445	6.68	1524	7.69								
	7100	5786	1427	6.79	1523	8.09												
245 TCNHBLE 16	3500	2507	778	1.07	916	1.64	1041	2.30	1159	3.05	1268	3.86						
	4600	3295	939	1.92	1053	2.61	1159	3.37	1257	4.17	1352	5.05	1443	5.99	1531	7.01		
	5700	4083	1104	3.18	1208	4.05	1299	4.92	1386	5.84	1468	6.79						
	6800	4871	1274	4.92	1372	6.03	1453	7.03	1529	8.06								
	7900	5659	1448	7.26														
245 TCNHBLE 17	4000	2538	803	1.21	933	1.81	1052	2.48	1166	3.25	1273	4.09						
	5100	3236	953	2.06	1063	2.78	1165	3.55	1260	4.36	1353	5.26	1442	6.22	1529	7.25		
	6200	3934	1108	3.27	1208	4.15	1296	5.03	1381	5.96	1461	6.92						
	7300	4631	1267	4.91	1360	5.99	1440	7.01	1515	8.05								
	8400	5329	1429	7.07	1515	8.34												
245 TCNHBLE 18	4500	2546	828	1.36	951	1.98	1065	2.67	1174	3.46	1279	4.33						
	5600	3169	971	2.21	1076	2.95	1174	3.73	1266	4.56	1356	5.47	1445	6.47	1530	7.52		
	6700	3791	1117	3.39	1214	4.29	1299	5.17	1381	6.11	1460	7.09						
	7800	4414	1268	4.96	1357	6.04	1435	7.06	1508	8.10								
	8900	5036	1421	6.98	1503	8.24												
245 TCNHBLE 19	5000	2539	854	1.51	971	2.16	1079	2.87	1185	3.68	1287	4.58	1384	5.54				
	6100	3098	991	2.37	1093	3.14	1187	3.94	1276	4.79	1364	5.73	1450	6.74				
	7200	3656	1131	3.52	1224	4.44	1307	5.35	1387	6.31	1463	7.29						
	8300	4215	1275	5.04	1360	6.12	1436	7.16	1508	8.22								
	9400	4773	1421	6.96	1499	8.20												
245 TCNHBLE 20	5500	2520	882	1.67	993	2.35	1097	3.09	1198	3.92	1297	4.83	1392	5.83				
	6600	3024	1014	2.53	1112	3.34	1202	4.16	1289	5.04	1374	5.99	1458	7.03				
	7700	3528	1149	3.68	1238	4.62	1319	5.56	1396	6.52	1471	7.54						
	8800	4032	1287	5.15	1369	6.24	1443	7.31	1513	8.38								
	9900	4537	1427	6.99	1503	8.25												
245 TCNHBLE 21	6100	2536	923	1.91	1027	2.63	1126	3.41	1221	4.26	1315	5.20	1406	6.21				
	7100	2952	1040	2.72	1133	3.54	1221	4.40	1305	5.31	1387	6.29	1469	7.34				
	8100	3367	1159	3.74	1245	4.69	1324	5.65	1400	6.64	1474	7.67						
	9100	3783	1280	5.01	1360	6.10	1433	7.16	1502	8.24								
	10100	4199	1403	6.57	1477	7.78												
245 TCNHBLE 22	6600	2500	955	2.10	1054	2.85	1148	3.66	1240	4.54	1331	5.50	1419	6.54	1504	7.63		
	7600	2879	1069	2.92	1158	3.77	1242	4.66	1324	5.61	1404	6.61	1483	7.68				
	8600	3258	1185	3.94	1268	4.93	1344	5.91	1417	6.92	1489	7.98						
	9600	3637	1303	5.21	1380	6.32	1450	7.40	1517	8.50								
	10600	4016	1423	6.74	1494	7.97												
245 TCNHBLE 23	7300	2530	1011	2.45	1103	3.26	1191	4.11	1278	5.04	1363	6.03	1446	7.09	1527	8.22		
	8200	2842	1112	3.23	1197	4.14	1277	5.07	1355	6.05	1431	7.08	1508	8.20				
	9100	3154	1215	4.18	1294	5.19	1367	6.20	1438	7.24	1508	8.33						
	10000	3466	1320	5.32	1393	6.43	1462	7.55	1527	8.65								
	10900	3778	1425	6.66	1494	7.88												
245 TCNHBLE 24	7950	2530	1064	2.81	1150	3.66	1233	4.56	1315	5.53	1396	6.56	1475	7.65				
	8750	2784	1154	3.56	1234	4.49	1310	5.45	1384	6.45	1459	7.54	1532	8.68				
	9550	3039	1244	4.42	1320	5.46	1390	6.48	1459	7.55	1527	8.67						
	10350	3294	1336	5.43	1407	6.56	1473	7.66										
	11150	3548	1428	6.59	1495	7.81												
245 TCNHBLE 25	8550	2508	1115	3.18	1197	4.09	1274	5.01	1351	6.00	1429	7.09	1506	8.23				
	9250	2713	1193	3.87	1270	4.85	1342	5.83	1413	6.86	1485	7.97						
	9950	2918	1272	4.65	1344	5.70	1412	6.74	1478	7.82								
	10650	3124	1351	5.54	1420	6.67	1484	7.78										
	11350	3329	1430	6.52	1496	7.75												
245 TCNHBLE 26	9300	2522	1199	3.92	1275	4.90	1347	5.89	1417	6.91	1489	8.04						
	9850	2671	1260	4.53	1333	5.57	1402	6.61	1469	7.68								
	10400	2820	1322	5.20	1393	6.31	1458	7.39	1522	8.51								
	10950	2969	1385	5.95	1452	7.11	1515	8.25										
	11500	3119	1447	6.75	1512	7.99												
245 TCNHBLE 27	10050	2527	1264	4.50	1334	5.52	1399	6.52	1465	7.59	1532	8.74						
	10450	2628	1308	4.96	1376	6.02	1440	7.07	1502	8.15								
	10850	2728	1353	5.47	1419	6.58	1481	7.66										
	11250	2829	1398	6.01	1462	7.16	1522	8.28										
	11650	2930	1443	6.59	1506	7.79												
245 TCNHBLE 28	10800	2525	1347	5.39	1411	6.46	1472	7.52	1532	8.61								
	11050	2584	1374	5.71	1438	6.82	1498	7.90										
	11300	2642	1403	6.07	1465	7.19	1524	8.30	</									

270 TCNHBLE Data

270 TCNHBLE

SIZE	CFM	OV	0.500" SP		1.000" SP		1.500" SP		2.000" SP		2.500" SP		3.000" SP		3.500" SP		4.000" SP	
			RPM	BHP	RPM	BHP	RPM	BHP	RPM	BHP	RPM	BHP	RPM	BHP	RPM	BHP	RPM	BHP
270 TCNHBLE 14	2700	2525	688	.92	828	1.46	949	2.06	1057	2.72	1154	3.42	1243	4.16	1326	4.95		
	4100	3835	891	2.17	1012	2.97	1113	3.76	1204	4.57	1289	5.42	1371	6.34				
	5500	5144	1123	4.51	1214	5.45	1306	6.52	1390	7.60								
	6900	6454	1365	8.23														
270 TCNHBLE 15	3100	2526	680	.88	815	1.37	936	1.94	1045	2.58	1144	3.29	1236	4.05	1322	4.87		
	4750	3871	896	2.21	1007	2.92	1103	3.64	1191	4.39	1274	5.18	1354	6.03				
	6400	5215	1137	4.68	1222	5.57	1306	6.52	1385	7.51								
	8050	6560	1388	8.67														
270 TCNHBLE 16	3500	2507	677	1.02	808	1.57	928	2.20	1038	2.91	1139	3.67	1233	4.50	1320	5.37		
	5300	3796	891	2.49	997	3.30	1090	4.10	1175	4.93	1258	5.83	1337	6.77				
	7100	5085	1128	5.19	1210	6.20	1290	7.27	1365	8.36								
	8900	6375	1374	9.50														
270 TCNHBLE 17	3950	2506	682	1.10	810	1.69	927	2.35	1037	3.09	1138	3.88	1232	4.74	1320	5.65		
	5850	3711	892	2.61	993	3.43	1083	4.26	1167	5.12	1249	6.05	1328	7.03				
	7750	4917	1121	5.30	1201	6.34	1278	7.43	1349	8.50								
	9650	6123	1358	9.51														
270 TCNHBLE 18	4450	2518	695	1.22	817	1.84	931	2.53	1039	3.31	1140	4.15	1234	5.05	1322	6.00		
	6450	3650	903	2.80	998	3.64	1085	4.50	1168	5.41	1248	6.37	1326	7.39				
	8450	4782	1127	5.52	1204	6.60	1277	7.70	1346	8.81								
	10450	5913	1359	9.74														
270 TCNHBLE 19	4950	2513	709	1.35	826	1.99	937	2.73	1043	3.54	1142	4.41	1236	5.36	1324	6.36		
	6550	3326	865	2.50	961	3.32	1050	4.17	1136	5.09	1218	6.05	1300	7.09	1379	8.19		
	8150	4139	1031	4.27	1112	5.27	1188	6.29	1261	7.34	1331	8.43						
	9750	4951	1203	6.81	1273	8.00	1340	9.20										
270 TCNHBLE 20	11350	5764	1377	10.20														
	5500	2520	729	1.50	841	2.19	947	2.96	1049	3.81	1147	4.73	1240	5.72	1328	6.77		
	7100	3253	879	2.66	970	3.50	1057	4.39	1141	5.35	1222	6.36	1302	7.43	1381	8.59		
	8700	3987	1037	4.37	1115	5.39	1189	6.44	1260	7.52	1330	8.66						
270 TCNHBLE 21	10300	4720	1199	6.76	1268	7.98	1333	9.20										
	11900	5453	1364	9.94														
	6050	2515	750	1.65	857	2.38	959	3.20	1058	4.09	1153	5.05	1245	6.09	1331	7.17		
	7650	3180	895	2.81	983	3.69	1067	4.63	1149	5.62	1228	6.67	1306	7.78	1384	8.99		
270 TCNHBLE 22	9250	3846	1046	4.48	1122	5.53	1193	6.60	1264	7.74	1332	8.90						
	10850	4511	1201	6.76	1268	8.00	1331	9.23										
	12450	5176	1359	9.76														
	6600	2500	772	1.80	874	2.58	972	3.43	1067	4.36	1160	5.37	1250	6.45	1335	7.58		
270 TCNHBLE 23	8200	3107	913	2.97	997	3.88	1079	4.86	1159	5.90	1237	7.01	1313	8.16	1388	9.38		
	9800	3713	1059	4.61	1132	5.69	1202	6.80	1270	7.95	1338	9.18						
	11400	4319	1209	6.82	1274	8.08	1335	9.33										
	13000	4926	1361	9.68														
270 TCNHBLE 24	7250	2512	805	2.04	901	2.86	994	3.76	1085	4.74	1173	5.78	1260	6.91	1343	8.09		
	8800	3050	939	3.20	1018	4.14	1097	5.16	1175	6.26	1250	7.39	1324	8.59				
	10350	3587	1076	4.77	1147	5.89	1213	7.00	1281	8.22	1347	9.48						
	11900	4124	1216	6.83	1280	8.13	1339	9.39										
270 TCNHBLE 25	13450	4662	1359	9.48														
	7900	2514	839	2.28	929	3.15	1018	4.10	1104	5.12	1189	6.22	1271	7.37	1352	8.60		
	9400	2991	966	3.44	1042	4.42	1118	5.48	1194	6.63	1267	7.83	1338	9.06				
	10900	3469	1096	4.96	1164	6.10	1229	7.26	1294	8.50	1360	9.83						
270 TCNHBLE 26	12400	3946	1229	6.93	1290	8.23	1348	9.52										
	13900	4423	1363	9.39														
	8550	2508	875	2.55	959	3.45	1045	4.47	1127	5.54	1207	6.66	1286	7.87	1364	9.14		
	9950	2918	992	3.66	1065	4.68	1137	5.76	1211	6.96	1283	8.21	1352	9.49				
270 TCNHBLE 27	11350	3329	1112	5.10	1177	6.24	1240	7.42	1304	8.69	1369	10.10						
	12750	3740	1233	6.88	1292	8.17	1349	9.47										
	14150	4150	1356	9.08														
	9250	2508	918	2.89	996	3.83	1077	4.90	1156	6.04	1232	7.22	1306	8.44	1380	9.75		
270 TCNHBLE 28	10500	2847	1021	3.92	1091	4.97	1160	6.09	1232	7.34	1301	8.61	1369	9.95				
	11750	3186	1126	5.20	1190	6.38	1251	7.57	1313	8.85	1378	10.30						
	13000	3525	1233	6.77	1291	8.05	1347	9.35										
	14250	3864	1341	8.64														
270 TCNHBLE 29	9950	2502	963	3.28	1035	4.25	1111	5.36	1187	6.56	1260	7.80	1331	9.09				
	11050	2779	1053	4.24	1120	5.32	1185	6.45	1255	7.74	1323	9.08	1389	10.50				
	12150	3055	1145	5.39	1206	6.56	1265	7.76	1327	9.09	1390	10.50						
	13250	3332	1238	6.75	1295	8.03	1349	9.31										
270 TCNHBLE 30	14350	3609	1332	8.35	1384	9.71												
	10700	2502	1015	3.78	1083	4.80	1152	5.93	1225	7.20	1295	8.51	1363	9.87				
	11650	2724	1093	4.67	1156	5.77	1218	6.94	1284	8.25	1351	9.67						
	12600	2946	1173	5.72	1231	6.90	1288	8.12	1347	9.46								
270 TCNHBLE 31	13550	3168	1253	6.92	1307	8.18	1360	9.47										
	14500	3391	1333	8.28	1384	9.62												
	11500	2507	1075	4.43	1138	5.50	1201	6.65	1269	7.97	1337	9.37						
	12250	2670	1138	5.21	1196	6.33	1255	7.52	1317	8.85	1382	10.30						
270 TCNHBLE 32	13000	2834	1200	6.07	1255	7.25	1311	8.50	1368	9.85								
	13750	2997	1264	7.06	1316	8.29	1368	9.58										
	14500	3161	1327	8.13	1376	9.41												
	12300	2505	1141	5.24	1197	6.33	1256	7.53	1318	8.87	1383	10.30						
270 TCNHBLE 33	12850	2617	1187	5.88	1241	7.01	1296											

300 TCNHBLE

SIZE	CFM	OV	0.500" SP		1.000" SP		1.500" SP		2.000" SP		2.500" SP		3.000" SP		3.500" SP		4.000" SP	
			RPM	BHP	RPM	BHP	RPM	BHP	RPM	BHP	RPM	BHP	RPM	BHP	RPM	BHP	RPM	BHP
300 TCNHBLE 16	3500	2507	620	1.21	750	1.93	865	2.75	967	3.64	1061	4.63	1147	5.69	1227	6.81		
	5300	3796	785	2.70	909	3.88	1003	4.93	1088	6.02	1169	7.19	1245	8.41				
	7100	5085	980	5.45	1072	6.82	1168	8.41	1249	9.91								
	8900	6375	1188	9.87														
300 TCNHBLE 17	4000	2538	622	1.31	747	2.05	859	2.89	961	3.82	1054	4.82	1140	5.90				
	6000	3807	795	2.97	909	4.15	998	5.22	1080	6.33	1159	7.52	1235	8.79				
	8000	5076	995	5.99	1080	7.38	1168	8.97	1243	10.50								
	10000	6345	1207	10.80														
300 TCNHBLE 18	4500	2546	626	1.42	746	2.18	857	3.06	958	4.02	1050	5.05	1135	6.15				
	6700	3791	807	3.24	912	4.43	997	5.52	1077	6.68	1155	7.93	1229	9.22				
	8900	5036	1013	6.53	1091	7.94	1172	9.54	1243	11.10								
	11100	6281	1230	11.80														
300 TCNHBLE 19	5000	2539	631	1.52	748	2.33	856	3.24	956	4.23	1048	5.31						
	7200	3656	804	3.29	903	4.46	986	5.57	1066	6.77	1143	8.04	1217	9.37				
	9400	4773	997	6.36	1073	7.76	1150	9.31	1218	10.80								
	11600	5891	1199	11.10														
300 TCNHBLE 20	5500	2520	639	1.63	752	2.48	858	3.43	956	4.46	1047	5.58						
	7250	3322	769	2.92	866	4.01	951	5.11	1034	6.30	1114	7.57	1190	8.89				
	9000	4124	911	4.89	992	6.20	1069	7.57	1139	8.92	1206	10.30						
	10750	4926	1059	7.72	1127	9.21	1195	10.80										
	12500	5728	1211	11.60														
300 TCNHBLE 21	6100	2536	654	1.79	763	2.70	864	3.69	960	4.77	1050	5.94						
	7900	3284	785	3.14	876	4.26	959	5.42	1039	6.65	1117	7.98	1192	9.35				
	9700	4033	925	5.16	1002	6.49	1074	7.86	1143	9.27	1209	10.70						
	11500	4781	1070	7.99	1135	9.50	1199	11.10										
	13300	5530	1218	11.80														
300 TCNHBLE 22	6600	2500	665	1.91	769	2.84	868	3.88	963	5.02	1051	6.22						
	8400	3183	792	3.24	878	4.35	960	5.55	1039	6.84	1116	8.20	1190	9.62				
	10200	3865	926	5.18	1000	6.50	1070	7.87	1138	9.32	1204	10.80						
	12000	4547	1065	7.86	1128	9.36	1190	10.90	1250	12.60								
	13800	5229	1206	11.40														
300 TCNHBLE 23	7300	2530	690	2.14	789	3.14	883	4.23	973	5.42	1059	6.69	1140	8.04				
	9050	3136	811	3.47	892	4.61	972	5.87	1049	7.21	1123	8.61	1196	10.10				
	10800	3743	937	5.33	1008	6.68	1075	8.06	1142	9.56	1207	11.10						
	12550	4350	1067	7.85	1129	9.37	1188	10.90	1247	12.60								
	14300	4956	1199	11.10														
300 TCNHBLE 24	7900	2514	709	2.32	804	3.36	894	4.50	981	5.73	1065	7.06	1145	8.47				
	9650	3071	828	3.67	905	4.83	983	6.14	1058	7.53	1130	8.98	1201	10.50				
	11400	3628	951	5.53	1018	6.87	1083	8.28	1149	9.83	1213	11.40						
	13150	4185	1077	7.99	1137	9.53	1194	11.10	1250	12.70								
	14900	4742	1204	11.10														
300 TCNHBLE 25	8600	2522	737	2.59	826	3.67	912	4.87	995	6.15	1076	7.53	1153	8.98	1227	10.50		
	10300	3021	851	3.95	924	5.14	999	6.49	1072	7.94	1141	9.41	1210	11.00				
	12000	3520	967	5.75	1032	7.12	1094	8.53	1159	10.10	1222	11.80						
	13700	4018	1085	8.07	1145	9.66	1199	11.20										
	15400	4517	1206	11.00														
300 TCNHBLE 26	9300	2522	766	2.88	849	3.99	933	5.27	1012	6.60	1089	8.03	1163	9.51	1235	11.10		
	10900	2956	871	4.19	941	5.40	1013	6.78	1085	8.29	1153	9.84	1219	11.40				
	12500	3390	978	5.88	1042	7.28	1102	8.70	1166	10.30	1228	12.00						
	14100	3824	1087	8.02	1146	9.61	1199	11.10										
	15700	4258	1197	10.70	1251	12.40												
300 TCNHBLE 27	10000	2515	797	3.21	874	4.33	955	5.68	1031	7.08	1104	8.53	1176	10.10	1245	11.70		
	11500	2892	894	4.48	961	5.71	1030	7.11	1101	8.70	1166	10.30	1231	11.90				
	13000	3269	992	6.07	1054	7.47	1112	8.89	1175	10.60	1237	12.30						
	14500	3646	1092	8.04	1150	9.62	1202	11.10										
	16000	4024	1193	10.40	1247	12.20												
300 TCNHBLE 28	10700	2502	829	3.57	901	4.72	979	6.12	1052	7.57	1122	9.08	1190	10.70				
	12100	2829	918	4.79	983	6.06	1049	7.49	1118	9.11	1183	10.80	1245	12.50				
	13500	3157	1008	6.29	1069	7.72	1126	9.18	1187	10.90	1249	12.70						
	14900	3484	1100	8.11	1158	9.73	1209	11.30										
	16300	3811	1193	10.30	1246	12.00												
300 TCNHBLE 29	11500	2507	869	4.06	936	5.24	1010	6.69	1082	8.26	1148	9.82	1212	11.40				
	12750	2779	948	5.22	1011	6.53	1073	7.96	1141	9.67	1204	11.40						
	14000	3052	1027	6.58	1087	8.05	1142	9.52	1202	11.20								
	15250	3324	1108	8.21	1165	9.83	1216	11.40										
	16500	3597	1190	10.10	1243	11.90												
300 TCNHBLE 30	12300	2505	910	4.60	975	5.86	1043	7.33	1113	8.98	1177	10.60	1238	12.30				
	13400	2729	979	5.68	1041	7.07	1100	8.52	1165	10.30	1228	12.10						
	14500	2953	1049	6.94	1108	8.46	1161	9.93	1219	11.70								
	15600	3177	1119	8.38	1176	10.00	1226	11.60										
	16700	3401	1190	10.00	1244	11.80												
300 TCNHBLE 31	13200	2518	960	5.34	1023	6.70	1084	8.16	1152	9.93	1215	11.70						
	14100	2690	1016	6.29	1077	7.76	1132	9.22	1195	11.00								
	15000	2862	1073	7.37	1132	8.96	1184	10.50	1239	12.20								
	15900	3033	1130	8.57	1187	10.30	1237	11.90										
	16800	3205	1188	9.92	1242	11.70												
300 TCNHBLE 32	14000	2506	1006	6.10	1067	7.54	1124	9.02	1188	10.80								
	14750	2641	1053	6.96	1113	8.51	1166	10.00	1224</									

330 TCNHBLE Data

330 TCNHBLE

SIZE	CFM	OV	0.500" SP		1.000" SP		1.500" SP		2.000" SP		2.500" SP		3.000" SP		3.500" SP		4.000" SP	
			RPM	BHP	RPM	BHP	RPM	BHP	RPM	BHP	RPM	BHP	RPM	BHP	RPM	BHP	RPM	BHP
330 TONHBLE 18	4500	2546	575	1.51	694	2.36	798	3.31	889	4.30	971	5.34	1047	6.46	1118	7.64		
	6900	3904	740	3.58	849	4.98	936	6.28	1013	7.57	1086	8.94						
	9300	5263	922	7.22	1013	9.09	1097	11.00										
	11700	6621	1120	13.20														
330 TONHBLE 19	4950	2513	565	1.53	683	2.41	786	3.37	879	4.40	963	5.50	1041	6.67				
	7550	3834	732	3.65	833	5.02	917	6.32	993	7.64	1066	9.04	1135	10.50				
	10150	5154	916	7.41	1000	9.24	1078	11.10										
	12750	6475	1114	13.50														
330 TONHBLE 20	5550	2543	568	1.66	681	2.57	784	3.59	877	4.68	962	5.85	1040	7.07				
	8250	3780	731	3.79	826	5.16	906	6.47	982	7.86	1055	9.33	1124	10.80				
	10950	5018	911	7.52	989	9.31	1062	11.20	1126	12.90								
	13650	6255	1103	13.50														
330 TONHBLE 21	6150	2557	572	1.78	682	2.75	784	3.83	877	4.99	962	6.21	1040	7.50	1114	8.88		
	8950	3721	734	3.95	822	5.31	901	6.68	976	8.13	1048	9.65	1117	11.20				
	11750	4885	910	7.65	983	9.43	1051	11.20	1114	13.00								
	14550	6049	1098	13.50														
330 TONHBLE 22	6600	2500	570	1.82	679	2.83	780	3.95	873	5.15	959	6.44	1038	7.79				
	9550	3618	733	4.01	817	5.37	894	6.77	968	8.26	1040	9.84	1110	11.50				
	12500	4736	910	7.73	978	9.47	1043	11.30	1103	13.10								
	15450	5854	1097	13.60														
330 TONHBLE 23	7400	2564	587	2.04	690	3.12	788	4.33	879	5.62	964	7.00	1043	8.45	1116	9.95		
	10400	3604	748	4.30	827	5.70	901	7.17	973	8.73	1044	10.40	1113	12.20				
	13400	4644	922	8.07	985	9.79	1046	11.60	1105	13.50								
	16400	5684	1103	13.80														
330 TONHBLE 24	8000	2546	595	2.15	695	3.29	791	4.56	881	5.92	965	7.36	1044	8.88	1117	10.50		
	11000	3500	752	4.38	827	5.78	899	7.27	971	8.91	1041	10.60	1109	12.40				
	14000	4455	919	7.97	980	9.69	1038	11.40	1096	13.30								
	17000	5410	1093	13.40														
330 TONHBLE 25	8600	2522	605	2.28	701	3.45	795	4.79	883	6.20	967	7.72	1045	9.31	1118	11.00		
	11600	3402	757	4.45	829	5.86	900	7.39	971	9.09	1040	10.90	1108	12.80				
	14600	4282	919	7.91	977	9.59	1034	11.40	1090	13.20								
	17600	5162	1086	13.00	1134	14.90												
330 TONHBLE 26	9400	2549	626	2.52	716	3.74	805	5.14	891	6.65	973	8.25	1050	9.93	1122	11.70		
	12400	3363	775	4.74	843	6.17	911	7.75	980	9.51	1047	11.40	1113	13.30				
	15400	4176	933	8.19	988	9.87	1042	11.60	1097	13.60								
	18400	4990	1094	13.10	1141	15.10												
330 TONHBLE 27	10000	2515	638	2.66	724	3.90	811	5.35	895	6.92	975	8.57	1051	10.30	1123	12.10		
	13000	3269	785	4.88	849	6.28	916	7.91	983	9.69	1050	11.60	1115	13.60				
	16000	4024	938	8.22	992	9.92	1044	11.70	1097	13.60								
	19000	4778	1095	13.00	1141	14.90												
330 TONHBLE 28	10800	2525	661	2.92	742	4.21	824	5.70	905	7.34	983	9.08	1057	10.90	1128	12.80		
	13700	3203	801	5.12	863	6.55	927	8.20	992	10.00	1057	12.00	1120	14.00				
	16600	3882	946	8.32	998	10.00	1048	11.70	1101	13.70								
	19500	4560	1094	12.80	1139	14.70												
330 TONHBLE 29	11600	2528	686	3.23	761	4.52	839	6.07	916	7.76	991	9.56	1064	11.50	1133	13.40		
	14400	3139	819	5.40	878	6.84	939	8.49	1003	10.40	1065	12.40	1127	14.50				
	17200	3749	957	8.50	1008	10.20	1056	11.90	1107	13.90								
	20000	4360	1096	12.60	1141	14.60												
330 TONHBLE 30	12400	2525	712	3.56	782	4.88	857	6.48	929	8.19	1001	10.10	1071	12.00	1139	14.10		
	15000	3055	834	5.63	891	7.09	950	8.75	1012	10.70	1073	12.70	1133	14.80				
	17600	3585	959	8.44	1010	10.20	1058	11.90	1108	13.90								
	20200	4114	1086	12.10	1132	14.10												
330 TONHBLE 31	13200	2518	740	3.95	805	5.27	876	6.91	945	8.68	1013	10.60	1081	12.60				
	15700	2995	856	6.01	911	7.50	967	9.17	1027	11.10	1086	13.20						
	18200	3472	974	8.74	1025	10.50	1071	12.30	1120	14.20								
	20700	3949	1094	12.30	1140	14.30												
330 TONHBLE 32	14000	2506	769	4.38	830	5.72	897	7.38	964	9.23	1028	11.10	1092	13.20				
	15700	2811	847	5.78	903	7.27	959	8.92	1020	10.90	1079	12.90	1136	15.10				
	17400	3115	926	7.48	978	9.13	1027	10.80	1080	12.80	1135	15.00						
	19100	3419	1006	9.51	1056	11.40	1100	13.20										
330 TONHBLE 33	20800	3724	1086	11.90	1133	13.90												
	15000	2525	809	5.03	867	6.45	928	8.11	991	10.00	1052	12.00	1111	14.00				
	16500	2778	877	6.35	932	7.92	985	9.59	1043	11.60	1099	13.70						
	18000	3030	947	7.92	999	9.65	1046	11.40	1097	13.30								
330 TONHBLE 34	19500	3283	1016	9.71	1066	11.60	1110	13.40										
	21000	3535	1086	11.80	1134	13.90												
	15800	2505	841	5.60	898	7.11	955	8.78	1016	10.70	1073	12.70	1129	14.80				
	17150	2720	903	6.87	957	8.52	1007	10.20	1063	12.20	1118	14.30						
330 TONHBLE 35	18500	2934	964	8.30	1017	10.10	1063	11.90	1112	13.80								
	19850	3148	1026	9.94	1077	11.90	1121	13.80										
	21200	3362	1089	11.80	1138	14.00												
	16800	2514	885	6.47	941	8.11	993	9.79	1050	11.80	1105	13.90						
330 TONHBLE 36	17950	2686	937	7.63	991	9.40	1039	11.10	1091	13.10								
	19100	2858	989	8.91	1042	10.80	1088	12.70	1135	14.60								
	20250	3030	1042	10.40	1094	12.50	1138	14.40										
	21400	3203	1095	12.00														
330 TONHBLE 36	17800	2518	930	7.47	986	9.27	1035	11.00	108									

365 TCNHBLE

SIZE	CFM	OV	0.500" SP		1.000" SP		1.500" SP		2.000" SP		2.500" SP		3.000" SP		3.500" SP		4.000" SP		
			RPM	BHP	RPM	BHP	RPM	BHP	RPM	BHP	RPM	BHP	RPM	BHP	RPM	BHP	RPM	BHP	RPM
365 TCNHBLE 19	4950	2513	522	1.70	628	2.61	715	3.56	795	4.61	869	5.76	938	7.00	1003	8.34			
	7450	3783	674	4.09	764	5.44	843	6.82	912	8.19	974	9.56							
	9950	5053	839	8.30	916	10.10	984	11.90											
	12450	6323	1012	14.90															
365 TCNHBLE 20	5550	2543	515	1.79	623	2.77	716	3.83	798	4.95	873	6.16	943	7.47	1007	8.82			
	8350	3826	668	4.34	754	5.73	831	7.16	902	8.64	967	10.10							
	11150	5109	835	8.87	907	10.70	973	12.60											
	13950	6393	1010	16.00															
365 TCNHBLE 21	6150	2557	511	1.89	620	2.95	716	4.10	801	5.32	876	6.57	946	7.92	1010	9.32			
	9250	3846	666	4.62	749	6.07	824	7.55	896	9.15	965	10.80							
	12350	5135	836	9.49	904	11.40	966	13.30											
	15450	6424	1014	17.20															
365 TCNHBLE 22	6600	2500	504	1.93	614	3.03	714	4.28	799	5.53	876	6.86	945	8.22	1010	9.67			
	10000	3789	660	4.74	741	6.25	816	7.81	889	9.51	959	11.30							
	13400	5077	832	9.80	897	11.80	958	13.80	1016	15.90									
	16800	6366	1013	17.90															
365 TCNHBLE 23	7400	2564	512	2.15	620	3.37	720	4.74	806	6.11	882	7.50	952	8.97	1017	10.50			
	11000	3812	668	5.13	746	6.74	819	8.41	892	10.30	962	12.20							
	14600	5060	840	10.40	901	12.50	960	14.60	1016	16.80									
	18200	6308	1019	18.80															
365 TCNHBLE 24	8000	2546	514	2.27	621	3.57	721	5.03	808	6.50	884	7.96	954	9.48	1019	11.10			
	11700	3723	665	5.20	741	6.86	814	8.61	887	10.60	959	12.70							
	15400	4901	831	10.30	891	12.40	949	14.60	1005	16.80									
	19100	6078	1004	18.30															
365 TCNHBLE 25	8600	2522	516	2.38	622	3.75	722	5.31	809	6.86	886	8.42	956	10.00	1021	11.60			
	12500	3666	668	5.38	742	7.10	814	8.95	887	11.00	959	13.20							
	16400	4810	835	10.60	893	12.80	949	15.00	1004	17.30									
	20300	5954	1009	18.80															
365 TCNHBLE 26	9250	2508	522	2.52	625	3.97	724	5.62	812	7.29	889	8.94	959	10.60					
	13250	3593	672	5.54	743	7.29	815	9.26	887	11.40	959	13.80							
	17250	4678	836	10.70	892	12.90	947	15.20	1001	17.60									
	21250	5763	1005	18.60															
365 TCNHBLE 27	10000	2515	531	2.71	630	4.22	728	6.00	816	7.80	893	9.55	963	11.30					
	14000	3521	677	5.69	747	7.52	817	9.55	888	11.80	960	14.30							
	18000	4527	835	10.70	889	12.90	943	15.20	997	17.70									
	22000	5533	997	18.10															
365 TCNHBLE 28	10750	2514	542	2.91	637	4.50	733	6.38	820	8.30	897	10.20	966	12.00					
	14750	3449	684	5.86	751	7.72	820	9.83	890	12.20	961	14.70							
	18750	4384	836	10.70	890	12.90	943	15.30	996	17.90									
	22750	5320	993	17.80															
365 TCNHBLE 29	11500	2507	553	3.10	644	4.75	737	6.71	824	8.78	900	10.70	970	12.70					
	15500	3379	692	6.04	758	7.98	824	10.10	894	12.60	963	15.20							
	19500	4251	840	10.70	892	13.00	945	15.50	997	18.10									
	23500	5123	993	17.60															
365 TCNHBLE 30	12500	2546	574	3.46	658	5.16	746	7.20	831	9.42	908	11.60	977	13.70					
	16500	3361	711	6.50	773	8.47	837	10.70	903	13.20	970	15.90							
	20500	4176	856	11.20	906	13.50	956	16.00	1007	18.70									
	24500	4990	1004	18.00															
365 TCNHBLE 31	13250	2528	587	3.68	667	5.42	752	7.53	835	9.84	911	12.10	980	14.40					
	17150	3272	719	6.66	780	8.68	842	10.90	906	13.50	972	16.30							
	21050	4016	857	11.10	907	13.50	956	16.00	1007	18.70									
	24950	4760	998	17.40															
365 TCNHBLE 32	14000	2506	602	3.94	678	5.71	759	7.86	840	10.30	915	12.70	983	15.00					
	17800	3187	728	6.84	788	8.91	848	11.20	911	13.80	975	16.60							
	21600	3867	860	11.10	910	13.50	958	16.00	1008	18.80									
	25400	4547	995	17.10															
365 TCNHBLE 33	15000	2525	625	4.36	697	6.20	772	8.37	849	10.90	922	13.40	990	15.90					
	18600	3131	745	7.25	802	9.33	859	11.60	919	14.20	981	17.10							
	22200	3738	868	11.30	916	13.70	964	16.20	1012	19.00									
	25800	4344	994	16.80															
365 TCNHBLE 34	15900	2521	647	4.79	714	6.64	785	8.86	858	11.40	929	14.00	995	16.70					
	19300	3061	759	7.59	815	9.72	870	12.00	928	14.70	987	17.50							
	22700	3600	874	11.40	922	13.90	969	16.40	1016	19.10									
	26100	4139	992	16.60															
365 TCNHBLE 35	16800	2514	670	5.27	734	7.18	800	9.39	868	11.90	936	14.60	1001	17.40					
	20000	2993	775	8.01	829	10.20	883	12.50	938	15.10	995	18.00							
	23200	3472	883	11.70	930	14.10	976	16.70	1022	19.40									
	26400	3951	992	16.40															
365 TCNHBLE 36	17700	2503	695	5.83	756	7.79	817	9.99	881	12.50	945	15.20	1007	18.00					
	20700	2928	794	8.55	846	10.70	897	13.10	950	15.70	1004	18.50							
	23700	3352	894	12.10	940	14.50	985	17.10											
	26700	3777	996	16.50															
365 TCNHBLE 37	18900	2531	732	6.74	788	8.75	844	11.00	902	13.50	961	16.20	1020	19.10					
	21600	2892	820	9.35	871	11.60	920	14.00	969	16.60	1020	19.50							
	24300	3254	911	12.70	956	15.20	1000	17.80											
	27000	3615	1002	16.70															
365 TCNHBLE 38	1																		

402 TCNHBLE Data

402 TCNHBLE

SIZE	CFM	OV	0.500" SP		1.000" SP		1.500" SP		2.000" SP		2.500" SP		3.000" SP		3.500" SP		4.000" SP	
			RPM	BHP	RPM	BHP	RPM	BHP	RPM	BHP	RPM	BHP	RPM	BHP	RPM	BHP	RPM	BHP
402 TCNHBLE 21	6150	2557	477	2.70	573	4.37	652	6.15	723	8.10	790	10.30	852	12.60				
	9000	3742	607	5.86	687	8.11	758	10.50	822	13.00	879	15.50						
	11850	4927	746	11.10	817	14.20	878	17.10										
	14700	6112	892	19.30														
402 TCNHBLE 22	6600	2500	463	2.56	561	4.24	646	6.15	720	8.19	789	10.50	851	12.80				
	9850	3732	596	5.76	674	7.97	745	10.40	810	12.90	870	15.60						
	13100	4964	741	11.30	808	14.30	866	17.10										
	16350	6195	893	20.10														
402 TCNHBLE 23	7400	2564	465	2.70	563	4.47	650	6.52	725	8.69	794	11.10	857	13.50				
	10900	3778	598	6.02	672	8.21	742	10.70	808	13.30	870	16.20						
	14400	4991	742	11.70	805	14.60	862	17.50										
	17900	6204	892	20.60														
402 TCNHBLE 24	8000	2546	461	2.71	560	4.53	649	6.68	726	8.97	795	11.40	858	13.90				
	11800	3755	595	6.08	668	8.30	737	10.80	804	13.60	867	16.50						
	15600	4964	741	11.90	801	14.80	856	17.60										
	19400	6174	894	21.10														
402 TCNHBLE 25	8600	2522	459	2.75	559	4.64	649	6.87	727	9.25	796	11.70	859	14.30				
	12650	3710	593	6.14	664	8.35	733	10.90	801	13.80	865	16.90						
	16700	4898	739	12.00	797	14.80	851	17.70										
	20750	6086	892	21.30														
402 TCNHBLE 26	9250	2508	460	2.82	559	4.76	650	7.08	728	9.53	798	12.10	861	14.80				
	13450	3647	591	6.16	661	8.40	730	11.00	798	13.90	863	17.10						
	17650	4787	735	12.00	791	14.70	844	17.60										
	21850	5926	884	20.90														
402 TCNHBLE 27	10000	2515	464	2.95	561	4.93	652	7.35	731	9.92	801	12.60	864	15.40				
	14300	3596	592	6.25	661	8.53	729	11.20	797	14.20	863	17.50						
	18600	4678	733	11.90	787	14.60	840	17.60	892	20.80								
	22900	5759	878	20.50														
402 TCNHBLE 28	10750	2514	469	3.08	564	5.12	655	7.64	734	10.30	803	13.00	867	16.00				
	15150	3543	596	6.41	662	8.67	729	11.30	797	14.40	863	17.90						
	19550	4572	733	12.00	786	14.70	838	17.60	890	20.90								
	23950	5601	876	20.40														
402 TCNHBLE 29	11500	2507	475	3.23	567	5.30	657	7.88	736	10.60	806	13.50	869	16.50				
	16000	3488	600	6.56	665	8.86	731	11.60	798	14.70	864	18.30						
	20500	4469	735	12.00	787	14.80	838	17.80	889	21.00								
	25000	5450	876	20.30														
402 TCNHBLE 30	12300	2505	483	3.41	572	5.52	660	8.15	739	11.00	809	14.00	872	17.00				
	16800	3422	604	6.68	668	9.02	732	11.70	799	15.00	864	18.50						
	21300	4338	735	12.00	785	14.70	836	17.70	886	20.90								
	25800	5255	870	19.80														
402 TCNHBLE 31	13200	2518	493	3.64	578	5.77	664	8.46	743	11.40	813	14.50	876	17.70				
	17700	3377	612	6.92	674	9.29	737	12.10	802	15.30	866	18.90						
	22200	4235	739	12.10	789	14.90	838	17.90	888	21.20								
	26700	5094	871	19.70														
402 TCNHBLE 32	14100	2524	504	3.88	586	6.06	669	8.79	747	11.90	817	15.10	880	18.30				
	18600	3330	621	7.19	681	9.58	742	12.40	806	15.70	869	19.30						
	23100	4136	745	12.30	794	15.10	842	18.10	891	21.50								
	27600	4941	873	19.70														
402 TCNHBLE 33	15000	2525	516	4.14	594	6.35	674	9.10	751	12.30	820	15.50	883	18.90				
	19500	3283	632	7.52	689	9.90	749	12.70	810	16.00	872	19.70						
	24000	4041	753	12.60	800	15.40	847	18.40										
	28500	4798	878	19.80														
402 TCNHBLE 34	15900	2521	529	4.44	603	6.65	680	9.43	755	12.60	824	16.00	887	19.50				
	20300	3219	640	7.74	696	10.20	754	13.00	814	16.30	875	20.10						
	24700	3917	757	12.70	803	15.40	849	18.50										
	29100	4615	876	19.50														
402 TCNHBLE 35	16800	2514	543	4.76	612	6.95	686	9.75	760	13.00	828	16.50	890	20.10				
	21100	3158	650	8.04	704	10.50	760	13.30	818	16.60	878	20.40						
	25400	3801	762	12.80	807	15.60	853	18.60										
	29700	4445	876	19.30														
402 TCNHBLE 36	17700	2503	557	5.10	623	7.32	693	10.10	764	13.40	832	16.90	893	20.50				
	21800	3083	659	8.30	712	10.80	766	13.60	822	16.90	880	20.60						
	25900	3663	764	12.80	809	15.60	853	18.60										
	30000	4243	871	18.70														
402 TCNHBLE 37	18900	2531	580	5.70	641	7.93	707	10.70	774	14.00	839	17.60						
	22700	3040	673	8.76	725	11.30	776	14.10	831	17.40	886	21.10						
	26500	3548	770	13.00	814	15.80	858	18.80										
	30300	4057	868	18.40														
402 TCNHBLE 38	19950	2533	600	6.25	658	8.52	719	11.30	782	14.50	845	18.10						
	23450	2977	685	9.16	735	11.70	785	14.50	837	17.80	891	21.50						
	26950	3421	773	13.00	818	15.90	861	18.90										
	30450	3866	862	17.90														
402 TCNHBLE 39	21000	2531	621	6.87	676	9.18	733	11.90	793	15.10	852	18.70						
	24300	2929	701	9.74	750	12.40	798	15.20	847	18.40								
	27600	3326	784	13.50	827	16.30	869	19.40										
	30900	3724	867	18.10														
402 TCNHBLE 40	22050	2526	643	7.56	696	9.96	749	12.60	805	15.80	861	19.30						
	25150	2881	719	10.40	766	13.10	812	15.90	859	19.10								
	28250	3237	796	14.00	839	17.00	880	20.00										
	31350	3592	874	18.40														

Performance certified is for installation Type A: Free inlet, Free outlet. Power rating (BHP) does not include transmission losses. Performance ratings do not include the effects of appurtenances (accessories).

445 TCNHBLE

SIZE	CFM	OV	0.500" SP		1.000" SP		1.500" SP		2.000" SP		2.500" SP		3.000" SP		3.500" SP		4.000" SP	
			RPM	BHP	RPM	BHP	RPM	BHP	RPM	BHP	RPM	BHP	RPM	BHP	RPM	BHP	RPM	BHP
445 TCNHBLE 24	8000	2546	424	3.22	512	5.29	587	7.59	654	10.10	715	12.80	772	15.80	825	18.90		
	12150	3866	556	7.67	625	10.40	687	13.40	745	16.60	798	19.90						
	16300	5187	696	15.40	757	19.30	809	22.90										
	20450	6508	844	27.80														
445 TCNHBLE 25	8750	2566	422	3.29	510	5.41	588	7.88	656	10.50	718	13.40	774	16.30	827	19.50		
	13250	3886	553	7.79	620	10.50	682	13.60	740	16.80	795	20.30						
	17750	5206	695	15.80	752	19.50	803	23.20										
	22250	6526	843	28.40														
445 TCNHBLE 26	9250	2508	414	3.19	505	5.39	585	7.93	654	10.60	717	13.60	774	16.60	827	19.90		
	14050	3810	544	7.59	610	10.30	672	13.30	732	16.70	788	20.30	842	24.10				
	18850	5112	685	15.40	740	19.00	790	22.70	837	26.40								
	23650	6414	833	28.00														
445 TCNHBLE 27	10000	2515	414	3.28	505	5.54	586	8.20	656	11.00	719	14.10	776	17.20	829	20.50		
	15200	3822	547	7.88	610	10.60	671	13.60	732	17.20	789	20.90	843	24.90				
	20400	5130	691	16.10	744	19.80	791	23.30	837	27.20								
	25600	6438	842	29.40														
445 TCNHBLE 28	10800	2525	416	3.40	506	5.73	588	8.51	658	11.40	721	14.50	778	17.80	831	21.20		
	16300	3811	549	8.10	611	10.90	671	14.00	731	17.50	789	21.50	844	25.60				
	21800	5098	694	16.50	745	20.20	791	23.80	836	27.60								
	27300	6384	845	30.00														
445 TCNHBLE 29	11700	2550	421	3.59	509	5.99	591	8.89	662	12.00	725	15.20	782	18.60	835	22.10		
	17400	3793	553	8.37	613	11.20	672	14.30	732	18.00	790	22.10	845	26.30				
	23100	5035	696	16.80	745	20.40	790	24.00	835	28.00								
	28800	6278	845	30.20														
445 TCNHBLE 30	12300	2505	419	3.59	508	6.06	590	9.01	662	12.20	725	15.50	782	18.90	835	22.50		
	18100	3687	548	8.21	608	11.00	667	14.20	728	18.00	787	22.10	842	26.50				
	23900	4868	688	16.30	736	19.80	781	23.50	825	27.30								
	29700	6050	833	29.00														
445 TCNHBLE 31	13300	2537	427	3.85	512	6.34	594	9.43	665	12.70	728	16.10	786	19.70	839	23.40		
	19300	3682	556	8.61	614	11.50	672	14.70	731	18.50	789	22.80	845	27.30				
	25300	4827	695	16.80	742	20.40	785	24.00	829	28.00								
	31300	5972	840	29.70														
445 TCNHBLE 32	14000	2506	429	3.93	513	6.47	595	9.64	666	13.00	729	16.50	787	20.20	840	23.90		
	20000	3581	554	8.53	611	11.40	669	14.70	728	18.50	787	22.90	843	27.50				
	26000	4655	688	16.30	734	19.80	777	23.40	821	27.40								
	32000	5729	827	28.30														
445 TCNHBLE 33	15050	2534	438	4.21	519	6.80	599	10.10	670	13.50	733	17.20	791	21.00	844	24.90		
	21050	3544	561	8.85	616	11.70	672	15.00	731	19.00	789	23.40	845	28.10				
	27050	4554	691	16.50	736	20.00	778	23.60	821	27.60								
	33050	5564	825	27.90														
445 TCNHBLE 34	16100	2553	448	4.51	525	7.13	603	10.40	674	14.10	737	17.90	794	21.70				
	22100	3505	568	9.15	621	12.00	676	15.40	734	19.40	791	23.90	846	28.70				
	28100	4456	695	16.70	738	20.10	780	23.80	823	27.90								
	34100	5408	825	27.70														
445 TCNHBLE 35	16800	2514	452	4.63	527	7.26	604	10.60	675	14.30	738	18.20	795	22.10				
	22800	3412	569	9.16	621	12.00	676	15.40	733	19.50	790	24.00	845	28.80				
	28800	4310	692	16.30	736	19.90	777	23.50	819	27.50								
	34800	5208	819	26.90														
445 TCNHBLE 36	18000	2546	465	5.03	536	7.69	610	11.10	680	14.90	742	18.90	800	23.10				
	24000	3395	581	9.69	632	12.60	684	16.00	739	20.10	795	24.70						
	30000	4243	702	16.90	744	20.50	784	24.10	826	28.30								
	36000	5092	826	27.40														
445 TCNHBLE 37	18800	2517	472	5.23	540	7.89	612	11.30	681	15.20	744	19.30	801	23.50				
	24800	3321	585	9.82	635	12.80	687	16.30	741	20.30	796	24.90						
	30800	4124	704	16.90	746	20.50	785	24.10	826	28.30								
	36800	4928	826	27.10														
445 TCNHBLE 38	20000	2539	486	5.68	550	8.35	619	11.80	686	15.70	748	19.90	805	24.30				
	25800	3275	595	10.20	643	13.20	693	16.70	746	20.80	799	25.40						
	31600	4012	708	17.10	749	20.60	788	24.30	828	28.40								
	37400	4748	824	26.70														
445 TCNHBLE 39	20800	2507	494	5.92	556	8.61	622	12.00	688	16.00	750	20.30	806	24.70				
	26600	3206	601	10.50	649	13.50	697	16.90	749	21.10	801	25.60						
	32400	3905	713	17.30	753	20.80	792	24.60	831	28.70								
	38200	4604	827	26.70														
445 TCNHBLE 40	22000	2520	510	6.46	568	9.16	631	12.60	694	16.60	755	21.00	811	25.50				
	27600	3162	613	11.00	659	14.10	705	17.50	755	21.60	805	26.10						
	33200	3804	719	17.50	759	21.20	797	25.00	835	29.00								
	38800	4445	828	26.50														
445 TCNHBLE 42	24400	2536	543	7.67	596	10.50	651	13.80	708	17.80	765	22.20	819	26.90				
	29600	3076	638	12.20	682	15.40	725	18.90	770	22.80	817	27.40						
	34800	3617	735	18.40	773	22.10	810	25.90										
	40000	4157	834	26.70														
445 TCNHBLE 44	26550	2514	575	8.98	623	11.80	673	15.20	724	19.00	776	23.40	827	28.10				
	31150	2950	659	13.30	701	16.60	742	20.10	784	24.00	827	28.30						
	35750	3385	744	18.90	781	22.60	817	26.40										
	40350	3821	830	26.00														
445 TCNHBLE 46	29250	2534	621	11.20	665	14.20	708	17.50	753	21.30	797	25.40	842	29.90				
	33050	2863	691	15.20	731	18.60	769	22.20	807	26.00	846	30.20						
	36850	3192	761	20.10	798	24.00	832	27.80										
	40650	3522	832	26.10														

Performance certified is for installation Type A: Free inlet, Free outlet. Power rating (BHP) does not include transmission losses. Performance ratings do not include the effects of appurtenances (accessories).

490 TCNHBLE Data

490 TCNHBLE

SIZE	CFM	OV	0.500" SP		1.000" SP		1.500" SP		2.000" SP		2.500" SP		3.000" SP		3.500" SP		4.000" SP	
			RPM	BHP	RPM	BHP	RPM	BHP	RPM	BHP	RPM	BHP	RPM	BHP	RPM	BHP	RPM	BHP
490 TCNHBLE 26	9300	2522	385	3.85	466	6.36	532	9.01	592	12.00	648	15.30	699	18.70	747	22.40		
	14100	3824	503	9.07	567	12.40	624	16.00	677	19.80	725	23.70	769	27.70				
	18900	5126	629	18.20	684	22.70	732	27.10										
	23700	6427	762	32.70														
490 TCNHBLE 27	10200	2565	384	3.95	465	6.54	534	9.41	595	12.50	651	15.90	702	19.50	750	23.20		
	15400	3873	502	9.30	564	12.70	621	16.30	674	20.20	723	24.30	769	28.60				
	20600	5181	630	18.80	682	23.20	729	27.70										
	25800	6488	763	33.70														
490 TCNHBLE 28	10800	2525	378	3.87	460	6.49	532	9.51	594	12.70	651	16.20	702	19.80	750	23.70		
	16400	3835	496	9.20	557	12.50	613	16.10	667	20.10	718	24.40	766	29.00				
	22000	5144	625	18.80	675	23.10	721	27.50	764	32.10								
	27600	6454	759	33.90														
490 TCNHBLE 29	11700	2550	379	4.01	461	6.73	534	9.90	597	13.30	653	16.80	705	20.60	753	24.50		
	17700	3858	498	9.52	557	12.90	613	16.60	667	20.70	719	25.20	767	29.90				
	23700	5166	629	19.50	677	23.80	721	28.20	764	32.90								
	29700	6474	765	35.30														
490 TCNHBLE 30	12300	2505	375	3.96	458	6.74	532	9.98	596	13.50	653	17.10	705	21.00	753	25.00		
	18700	3809	495	9.50	553	12.80	609	16.60	664	20.90	716	25.50	766	30.40				
	25100	5113	627	19.60	674	23.90	717	28.30	759	33.00								
	31500	6416	765	35.80														
490 TCNHBLE 31	13200	2518	377	4.11	459	6.95	534	10.40	598	13.90	655	17.70	707	21.60	755	25.80		
	19800	3777	495	9.63	552	13.00	608	16.90	662	21.10	715	25.90	765	31.00				
	26400	5037	625	19.60	670	23.80	713	28.30	755	33.00								
	33000	6296	760	35.40														
490 TCNHBLE 32	14000	2506	378	4.21	460	7.14	535	10.60	599	14.30	656	18.20	708	22.20	756	26.40		
	20800	3724	495	9.72	551	13.10	606	17.00	661	21.40	714	26.30	765	31.50				
	27600	4941	623	19.50	667	23.70	709	28.10	751	33.00								
	34400	6159	756	35.00														
490 TCNHBLE 33	15200	2559	386	4.55	464	7.51	539	11.20	603	15.00	660	19.00	713	23.30	761	27.70		
	22200	3738	502	10.20	556	13.60	610	17.60	664	22.20	717	27.20	767	32.50				
	29200	4916	629	20.20	672	24.40	713	28.90	754	33.80								
	36200	6095	761	35.80														
490 TCNHBLE 34	16000	2537	387	4.63	465	7.67	539	11.40	604	15.40	661	19.50	713	23.70	762	28.30		
	23200	3679	503	10.30	556	13.80	609	17.70	663	22.40	716	27.50	767	33.00				
	30400	4821	629	20.20	671	24.40	711	28.90	752	33.80								
	37600	5963	760	35.60														
490 TCNHBLE 35	16800	2514	389	4.74	466	7.83	540	11.60	605	15.70	662	19.90	714	24.30	763	28.90		
	24200	3622	505	10.50	557	13.90	610	18.00	663	22.60	716	27.90	767	33.50				
	31600	4729	631	20.40	671	24.50	711	29.00	751	34.00								
	39000	5837	760	35.50														
490 TCNHBLE 36	18000	2546	398	5.10	471	8.21	544	12.10	609	16.40	666	20.80	718	25.30	766	30.00		
	25400	3593	511	10.80	561	14.30	613	18.40	666	23.20	718	28.50	768	34.20				
	32800	4639	633	20.50	673	24.70	712	29.20	751	34.10								
	40200	5686	759	35.20														
490 TCNHBLE 37	18800	2517	400	5.19	472	8.34	544	12.30	609	16.60	667	21.20	719	25.80	767	30.60		
	26400	3535	514	11.00	564	14.50	614	18.60	666	23.40	718	28.80	769	34.70				
	34000	4553	636	20.70	675	24.90	714	29.50	752	34.40								
	41600	5571	762	35.40														
490 TCNHBLE 38	20000	2539	409	5.55	478	8.75	548	12.80	613	17.30	670	21.90	722	26.70	770	31.60		
	27600	3504	521	11.40	569	14.90	618	19.10	669	23.90	721	29.50						
	35200	4469	640	21.00	679	25.30	716	29.80	755	34.90								
	42800	5434	763	35.30														
490 TCNHBLE 39	21000	2531	415	5.79	482	9.02	551	13.10	615	17.70	672	22.40	724	27.40				
	28600	3447	525	11.60	573	15.30	621	19.40	671	24.30	722	29.80						
	36200	4363	642	21.00	680	25.30	717	29.90	755	34.90								
	43800	5279	762	34.90														
490 TCNHBLE 40	22000	2520	422	6.07	486	9.29	553	13.40	617	18.10	674	23.00	726	28.00				
	29600	3391	531	11.90	577	15.50	624	19.70	673	24.60	723	30.10						
	37200	4262	645	21.10	682	25.40	719	30.00	756	35.10								
	44800	5133	763	34.70														
490 TCNHBLE 42	24500	2546	444	6.99	502	10.30	563	14.40	624	19.20	681	24.40	732	29.70				
	31600	3284	543	12.60	587	16.20	632	20.50	679	25.40	727	31.00						
	38700	4022	647	21.00	683	25.20	719	29.80	755	34.80								
	45800	4760	753	32.80														
490 TCNHBLE 44	26500	2509	460	7.67	514	11.00	571	15.10	629	20.00	684	25.20	735	30.70				
	33300	3153	554	13.10	596	16.80	639	21.10	684	26.00	730	31.50						
	40100	3797	651	21.00	686	25.30	721	29.90	757	34.90								
	46900	4441	749	31.70														
490 TCNHBLE 46	29000	2512	486	8.90	535	12.30	586	16.30	640	21.20	692	26.50	741	32.10				
	35300	3058	572	14.30	612	18.00	652	22.20	694	27.10	738	32.60						
	41600	3604	660	21.60	695	26.00	729	30.60	763	35.60								
	47900	4150	749	31.30														
490 TCNHBLE 48	31500	2506	513	10.30	559	13.90	605	17.90	653	22.60	701	27.90	748	33.50				
	37300	2968	592	15.60	631	19.60	669	23.80	708	28.60	748	33.90						
	43100	3429	673	22.70	707	27.10	740	31.80										
	48900	3891	754	31.60														
490 TCNHBLE 50	34500	2530	551	12.60	592	16.30	633	20.30	675	24.90	718	30.00	760	35.50				
	39500	2896	619	17.70	656	21.80	691	26.10	727	30.80	764	36.00						
	44500	3263	688	24.00	722	28.70	753	33.30										
	49500	3630	757	31.70														

Performance certified is for installation Type A: Free inlet, Free outlet. Power rating (BHP) does not include transmission losses. Performance ratings do not include the effects of appurtenances (accessories).

100 TCNHBLE

SIZE	RPM	SP	SOUND POWER re 10 ⁻¹² WATTS									
			OCTAVE BANDS									
			1	2	3	4	5	6	7	8	L _{WfA}	
100 TCNHBLE 05	2000	0.500	71	73	71	70	63	57	54	50	70	
		0.500	76	79	77	78	72	64	60	56	78	
	2500	1.000	77	81	78	75	70	63	60	55	76	
		0.500	79	83	83	82	78	70	65	61	83	
	3000	1.000	79	84	83	80	77	70	65	61	82	
		2.000	79	85	84	77	74	68	64	60	80	
	3500	0.500	82	87	87	86	84	76	69	66	88	
		1.000	82	88	88	85	83	75	69	66	87	
		3.000	82	88	89	82	78	73	68	65	85	
	4000	0.500	84	91	91	89	89	81	73	69	92	
		2.000	84	91	93	89	86	79	73	69	91	
		4.000	84	91	93	87	82	77	72	68	89	
100 TCNHBLE 06	2000	0.500	71	73	72	72	65	58	55	50	72	
		0.500	76	79	78	80	74	65	62	57	80	
	2500	1.000	76	80	78	78	72	64	61	56	78	
		0.500	79	83	83	84	80	72	67	63	85	
	3000	1.000	79	84	83	83	79	71	66	62	84	
		2.000	79	84	84	79	76	69	65	61	81	
	3500	0.500	82	87	87	87	86	77	71	67	89	
		1.000	82	87	88	87	85	77	70	67	89	
		3.000	82	88	88	84	80	74	69	65	86	
	4000	0.500	84	91	91	90	90	82	74	71	93	
		2.000	84	91	92	90	88	81	74	70	92	
		4.000	84	91	93	88	85	78	72	69	90	
100 TCNHBLE 07	2100	0.500	72	73	74	77	69	61	58	52	76	
		0.500	77	79	79	83	77	68	65	59	83	
	2600	1.000	77	80	79	82	76	67	63	58	81	
		0.500	80	84	84	87	83	74	69	65	87	
	3100	1.000	80	84	84	86	83	74	69	64	87	
		2.000	80	85	84	83	80	72	67	63	84	
	3600	0.500	82	88	88	90	89	80	73	70	92	
		1.000	82	88	88	89	88	79	73	69	91	
		3.000	83	89	89	86	84	76	70	67	88	
	4100	1.000	84	91	92	92	93	84	76	73	95	
		2.000	85	91	92	91	92	83	75	72	95	
		4.000	85	92	93	90	88	81	74	70	92	
100 TCNHBLE 08	2500	0.500	76	78	78	85	78	67	65	59	84	
		0.500	79	83	84	88	84	74	70	65	88	
	3000	1.000	79	83	83	88	84	74	69	64	88	
		2.000	80	83	83	84	80	71	66	62	85	
	3500	0.500	82	87	88	91	90	80	74	70	92	
		1.000	82	87	87	90	90	80	73	70	92	
		3.000	82	88	88	87	85	76	70	66	88	
	4000	0.500	84	91	91	93	94	85	77	75	96	
		2.000	84	91	91	92	93	84	76	73	95	
		4.000	85	91	92	90	89	81	73	70	92	
	100 TCNHBLE 09	2600	0.500	77	79	80	86	79	69	67	61	85
			0.500	80	84	85	89	85	76	72	67	89
3100		1.000	80	84	84	88	85	75	71	66	89	
		0.500	82	88	89	91	91	82	76	72	93	
3600		1.000	82	88	88	91	91	81	75	71	93	
		3.000	82	88	88	88	87	78	71	68	90	
4100		1.000	84	91	92	93	95	86	78	76	97	
		2.000	85	91	92	92	94	86	77	74	96	
		4.000	85	91	92	91	91	82	74	71	94	
100 TCNHBLE 10		3000	0.500	79	83	84	88	84	75	72	67	89
			0.500	80	85	86	90	87	78	74	69	91
		3250	1.000	80	85	86	89	87	78	72	68	90
	0.500		82	87	88	91	90	81	76	72	93	
	3500	1.000	82	87	88	91	90	80	75	71	92	
		0.500	83	89	90	92	92	83	77	74	95	
	3750	1.000	83	89	90	92	92	83	76	73	95	
		3.000	83	89	89	90	89	80	73	70	92	
		0.500	84	91	92	93	94	86	79	77	97	
	4000	1.000	84	91	92	93	94	85	78	76	97	
		3.000	84	91	91	91	92	84	75	72	95	
		0.500	82	87	89	91	90	81	76	73	93	
100 TCNHBLE 11	3500	0.500	83	89	91	92	92	84	78	75	95	
		1.000	83	89	90	92	92	83	77	74	95	
	3750	0.500	84	91	92	94	95	86	80	77	97	
		1.000	84	91	92	93	94	86	79	76	97	
	4000	0.500	84	91	91	93	94	85	77	75	96	
		2.000	84	91	91	93	94	85	77	75	96	

120 TCNHBLE

SIZE	RPM	SP	SOUND POWER re 10 ⁻¹² WATTS								
			OCTAVE BANDS								
			1	2	3	4	5	6	7	8	L _{WfA}
120 TCNHBLE 06	1600	0.500	73	77	73	67	62	59	58	52	70
		0.500	78	86	82	84	75	70	68	64	83
	2600	1.000	79	88	83	83	75	70	67	63	83
		2.000	80	87	83	78	73	68	66	62	80
	3600	0.500	83	91	93	91	88	79	76	73	92
		2.000	85	93	95	90	87	79	75	72	92
120 TCNHBLE 07	1700	0.500	72	77	76	71	65	61	59	54	73
		1.000	72	77	74	68	62	60	59	53	71
	2650	0.500	77	86	83	86	77	71	69	65	85
		1.000	78	87	84	85	77	71	69	64	84
	3600	2.000	79	88	83	81	74	69	67	63	82
		0.500	82	91	93	92	89	80	77	74	94
120 TCNHBLE 08	1700	0.500	70	76	77	72	65	61	60	54	74
		1.000	72	77	75	68	63	60	59	53	71
	2650	0.500	77	85	84	88	79	72	70	66	87
		1.000	77	86	84	87	78	71	69	65	86
	3600	2.000	78	87	83	83	75	70	68	63	83
		0.500	82	90	93	94	91	82	78	75	95
120 TCNHBLE 09	1900	0.500	71	77	80	78	69	65	63	58	78
		1.000	71	78	78	75	67	63	61	56	75
	2750	0.500	77	85	85	91	81	74	72	68	89
		1.000	77	85	85	89	81	73	71	67	88
	3600	2.000	77	87	84	86	78	72	69	65	85
		0.500	82	90	93	95	93	83	79	76	96
120 TCNHBLE 10	2100	0.500	74	79	81	81	72	68	65	62	81
		1.000	74	79	79	79	71	66	64	60	79
	2850	0.500	79	84	86	90	83	76	73	70	89
		1.000	79	85	85	89	82	75	72	69	88
	3600	3.000	81	88	86	80	76	72	69	67	83
		0.500	83	89	91	94	92	83	79	77	96
120 TCNHBLE 11	2300	0.500	76	78	81	84	75	71	68	65	83
		1.000	76	80	80	82	74	69	66	64	82
	2950	2.000	77	83	79	76	70	66	64	63	77
		0.500	80	83	86	89	84	78	75	72	89
	3600	1.000	80	84	86	88	83	77	74	71	89
		3.000	80	87	86	82	78	73	71	68	84
120 TCNHBLE 12	2600	0.500	84	88	90	93	91	84	80	78	95
		2.000	84	90	91	92	90	82	78	76	94
	3100	4.000	83	90	92	89	86	80	76	73	91
		0.500	82	85	86	88	80	75	72	69	87
	3600	1.000	82	85	85	87	79	73	71	68	86
		2.000	81	85	84	84	76	71	68	65	84
120 TCNHBLE 12	3100	0.500	83	88	86	92	85	79	78	75	91
		1.000	83	88	86	91	84	79	76	74	91
	3600	3.000	81	88	85	87	81	76	72	70	87
		0.500	85	91	91	94	90	84	82	79	95
	3600	2.000	86	91	90	93	89	83	79	77	94
		4.000	84	91	90	91	86	80	76	74	91

The sound power level ratings shown are in decibels referred to 10⁻¹² watts calculated per AMCA Standard 301. The A-weighted sound ratings shown have been calculated per AMCA Standard 301. Values shown are for inlet L_{Wf} and inlet L_{WfA} sound power levels for installation Type A: Free inlet, Free outlet. Ratings do not include the effects of duct end correction.

TCNHBLE Sound Data

135 TCNHBLE

SIZE	RPM	SP	SOUND POWER re 10 ⁻¹² WATTS								
			OCTAVE BANDS								
			1	2	3	4	5	6	7	8	L _{Wj} A
135 TCNHBLE 07	1500	0.500	75	78	73	69	64	63	64	55	72
		1.000	74	79	73	67	64	65	65	65	73
	2150	0.500	78	81	79	80	73	71	69	66	80
		1.000	79	84	81	78	73	71	70	71	81
	2800	2.000	80	84	81	77	72	70	71	77	81
		0.500	81	86	83	86	80	77	74	71	87
2800	1.000	82	88	85	86	80	77	75	73	87	
	3.000	84	90	88	83	79	77	75	80	87	
135 TCNHBLE 08	1500	0.500	74	78	74	70	64	64	64	55	73
		1.000	74	79	73	68	63	65	65	66	73
	2150	0.500	77	81	80	81	74	72	70	67	81
		1.000	78	83	81	80	74	72	70	71	81
	2800	2.000	79	84	81	78	73	71	71	77	82
		0.500	81	86	84	88	81	79	76	72	88
2800	1.000	82	87	85	87	81	78	76	74	88	
	3.000	83	89	87	84	80	77	75	80	87	
135 TCNHBLE 09	1500	0.500	73	77	75	71	65	66	64	55	74
		1.000	74	78	73	68	63	65	65	66	73
	2150	0.500	77	81	81	83	75	73	71	67	83
		1.000	77	81	80	81	74	73	71	71	82
	2800	2.000	78	83	80	78	73	71	71	77	82
		0.500	81	86	85	90	83	80	77	73	90
2800	1.000	81	86	85	89	82	80	77	75	89	
	3.000	82	87	85	85	80	77	76	80	87	
135 TCNHBLE 10	1600	0.500	73	77	78	74	68	69	66	58	76
		1.000	73	77	75	71	65	67	66	67	75
	2250	0.500	77	81	81	86	77	76	73	68	85
		1.000	77	81	80	85	76	75	72	72	84
	2900	2.000	77	81	78	81	74	72	72	78	83
		1.000	81	86	86	91	85	82	79	76	91
2900	2.000	81	86	86	90	84	81	78	78	90	
	0.500	73	77	80	77	71	71	67	61	79	
135 TCNHBLE 11	2250	0.500	77	81	82	87	78	77	74	69	87
		1.000	76	80	80	86	77	76	73	72	86
	2800	2.000	76	79	77	83	74	73	72	78	83
		0.500	81	86	86	93	85	83	80	74	93
	2800	1.000	80	85	85	92	85	82	79	76	92
		3.000	80	84	82	88	81	78	76	81	88
135 TCNHBLE 12	1900	0.500	74	78	82	81	75	73	70	64	82
		0.500	80	82	82	89	80	80	76	71	89
	2400	1.000	79	81	81	88	79	79	75	73	88
		2.000	79	80	78	85	76	76	74	77	85
	2900	1.000	83	86	87	92	86	83	81	77	93
		2.000	82	86	85	91	85	82	80	79	91
2900	3.000	82	85	84	88	83	80	78	81	89	
	2100	0.500	77	80	83	84	77	76	72	67	85
2500		0.500	82	83	84	89	82	81	77	72	89
	2900	1.000	82	82	83	88	81	80	77	74	89
2900		2.000	81	81	80	86	79	78	76	77	87
	2900	1.000	84	87	87	91	86	84	81	77	92
2900		2.000	84	86	86	90	85	82	80	79	91
	2900	3.000	84	85	84	88	83	81	79	80	90
135 TCNHBLE 14		2300	0.500	80	83	87	87	79	79	75	68
	0.500		84	86	87	92	83	82	79	73	91
	2600	1.000	84	85	86	91	82	81	79	73	91
		0.500	88	88	87	96	85	85	83	77	95
	2900	1.000	88	88	86	95	85	85	82	77	94
		2.000	88	87	84	94	83	83	81	78	93

150 TCNHBLE

SIZE	RPM	SP	SOUND POWER re 10 ⁻¹² WATTS								
			OCTAVE BANDS								
			1	2	3	4	5	6	7	8	L _{Wj} A
150 TCNHBLE 08	1300	0.500	75	76	72	68	66	60	56	49	71
		0.500	80	85	82	77	73	70	66	59	80
	1950	1.000	82	86	82	77	73	70	66	59	80
		1.000	85	91	91	88	81	78	74	68	89
	2600	2.000	87	93	91	88	81	78	74	68	89
		0.500	72	75	71	69	66	61	56	49	71
150 TCNHBLE 09	1300	0.500	79	83	83	81	76	72	68	62	82
		1.000	80	84	83	80	76	72	67	61	82
	1950	1.000	85	91	90	88	83	79	76	71	89
		2.000	87	92	90	88	82	79	75	70	89
	2600	3.000	87	92	90	87	82	78	75	70	88
		0.500	72	77	75	72	68	64	59	51	74
150 TCNHBLE 10	1400	0.500	79	83	84	83	77	74	71	65	84
		1.000	80	84	83	82	77	73	69	64	83
	2000	2.000	81	85	82	80	75	72	68	63	82
		2.000	86	90	89	89	84	80	77	72	90
	2600	0.500	71	76	75	73	68	65	59	51	74
		0.500	79	83	84	84	79	75	73	67	85
150 TCNHBLE 11	1400	1.000	79	83	83	84	78	74	71	65	84
		2.000	80	83	81	80	75	72	69	64	82
	2000	1.000	86	89	89	92	86	81	80	76	92
		0.500	71	78	79	76	69	68	65	54	77
	2050	0.500	79	84	86	87	80	77	76	71	87
		1.000	79	83	84	86	79	76	74	68	86
2600	2.000	79	82	82	83	76	73	70	66	83	
	2.000	85	88	87	93	86	82	80	75	92	
150 TCNHBLE 12	1500	0.500	85	88	86	90	84	80	78	74	90
		0.500	74	79	81	80	74	72	69	62	81
	2050	0.500	81	85	86	89	82	79	78	74	89
		1.000	81	84	85	88	81	77	76	72	88
	2600	2.000	80	83	83	85	79	75	73	68	85
		1.000	86	89	88	94	88	83	83	80	94
150 TCNHBLE 13	1700	2.000	85	88	87	93	87	82	80	76	93
		3.000	85	88	86	90	84	80	78	74	90
	2150	0.500	74	79	81	80	74	72	69	62	81
		0.500	81	85	86	89	82	79	78	74	89
	2600	1.000	81	84	85	88	81	77	76	72	88
		2.000	80	83	83	85	79	75	73	68	85
150 TCNHBLE 14	1800	1.000	86	89	88	94	88	83	83	80	94
		2.000	85	88	87	93	87	82	80	76	93
	2200	3.000	85	88	86	90	84	80	78	74	91
		0.500	76	81	82	82	76	74	72	66	83
	2600	0.500	82	85	86	90	83	79	80	77	90
		1.000	81	85	85	89	82	78	74	74	89
150 TCNHBLE 15	1800	2.000	81	84	83	86	80	76	74	69	86
		0.500	87	90	89	95	88	84	85	83	95
	2200	1.000	86	89	89	94	88	83	83	81	94
		2.000	85	88	87	93	87	82	81	77	93
	2600	3.000	85	88	85	91	84	80	78	74	91
		0.500	79	83	85	85	80	77	77	73	87
150 TCNHBLE 16	2000	0.500	84	87	87	91	84	81	82	80	92
		1.000	83	86	86	91	83	80	80	77	91
	2300	2.000	82	85	84	89	82	78	76	72	89
		2.000	85	88	87	93	87	82	81	78	93
	2600	3.000	85	88	85	91	85	80	79	75	91
		0.500	82	86	88	89	82	80	82	78	90
2400	0.500	86	88	88	94	85	82	84	83	94	
	1.000	85	87	87	93	85	81	83	80	93	
2600	1.000	87	89	89	95	88	84	85	83	95	
	2.000	85	88	87	94	87	83	82	79	93	

The sound power level ratings shown are in decibels referred to 10⁻¹² watts calculated per AMCA Standard 301. The A-weighted sound ratings shown have been calculated per AMCA Standard 301. Values shown are for inlet L<

165 TCNHBLE

SIZE	RPM	SP	SOUND POWER re 10 ⁻¹² WATTS									
			OCTAVE BANDS								L _{wi} A	
			1	2	3	4	5	6	7	8		
165 TCNHBLE 08	1200	0.500	75	78	72	68	63	61	56	50	71	
		0.500	83	88	83	79	74	72	67	61	81	
	1800	1.000	83	88	83	78	73	71	67	60	81	
		2.000	82	86	82	78	72	70	66	61	80	
	2400	0.500	88	94	92	88	82	79	76	69	90	
		2.000	88	94	92	88	81	79	75	69	89	
165 TCNHBLE 09	1200	0.500	75	77	73	69	63	62	56	50	71	
		0.500	82	87	84	79	75	73	68	61	82	
	1800	1.000	82	86	84	79	74	72	67	61	81	
		0.500	87	93	92	89	83	80	76	70	90	
	2400	1.000	88	93	92	89	83	80	76	70	90	
		2.000	87	93	92	89	82	79	75	69	90	
165 TCNHBLE 10	1200	0.500	74	76	74	71	64	62	57	50	72	
		0.500	82	86	85	80	76	74	69	61	83	
	1800	1.000	81	85	84	79	75	73	68	61	82	
		0.500	87	92	92	90	84	81	77	70	91	
	2400	1.000	87	92	92	90	83	81	77	70	91	
		2.000	86	91	91	89	82	80	76	69	90	
165 TCNHBLE 11	1200	0.500	73	76	75	72	65	62	57	50	73	
		0.500	81	85	86	81	77	74	69	61	83	
	1800	1.000	80	84	85	80	76	73	68	61	82	
		2.000	82	86	83	78	74	71	67	61	81	
	2400	1.000	86	91	92	91	84	81	77	71	91	
		2.000	85	90	91	90	83	80	76	70	90	
165 TCNHBLE 12	1300	0.500	74	77	78	76	69	65	60	52	76	
		0.500	80	83	87	82	78	75	70	62	84	
	1800	1.000	79	82	86	80	76	74	69	61	83	
		2.000	82	85	84	79	74	71	67	61	81	
	2300	0.500	85	89	92	90	84	82	78	70	91	
		1.000	84	89	91	90	84	81	77	69	91	
165 TCNHBLE 13	1300	0.500	73	76	79	77	70	66	60	52	77	
		0.500	79	82	87	83	78	76	70	62	85	
	1800	1.000	78	81	86	81	77	74	69	61	83	
		2.000	81	85	84	79	74	72	67	61	81	
	2300	0.500	84	88	92	91	85	82	78	70	92	
		1.000	83	87	91	90	84	82	77	70	91	
165 TCNHBLE 14	1400	0.500	74	78	81	78	72	68	62	54	79	
		0.500	81	83	89	84	80	77	73	64	86	
	1900	1.000	80	82	88	82	78	76	71	63	85	
		2.000	80	82	86	80	76	74	69	62	83	
	2400	0.500	85	89	94	93	87	84	80	72	94	
		1.000	84	89	93	93	86	83	79	72	93	
165 TCNHBLE 15	1500	0.500	75	80	83	79	75	71	65	56	81	
		0.500	81	84	90	85	81	79	74	65	87	
	1950	1.000	81	83	89	84	80	77	73	64	86	
		2.000	79	82	86	81	77	75	70	63	84	
	2400	0.500	85	90	94	94	87	84	81	73	94	
		1.000	85	89	93	93	86	83	80	72	93	
165 TCNHBLE 16	1600	0.500	77	81	85	81	76	73	68	58	83	
		0.500	82	85	90	86	81	79	75	65	88	
	1950	1.000	81	84	89	85	80	78	73	64	87	
		0.500	85	89	93	92	86	83	80	71	93	
	2300	1.000	84	88	93	92	85	83	79	71	92	
		2.000	83	87	91	90	84	81	77	69	91	
165 TCNHBLE 17	1800	0.500	80	84	89	84	79	77	72	63	86	
		0.500	83	87	92	89	83	81	78	68	90	
	2100	1.000	83	86	91	88	83	80	76	67	90	
		1.000	85	90	94	94	87	84	81	73	94	
	2400	2.000	84	89	93	92	85	83	79	71	93	
		0.500	83	86	91	88	82	79	75	68	89	
165 TCNHBLE 18	2000	0.500	83	86	91	88	82	80	77	67	89	
		0.500	85	89	93	91	85	83	80	70	92	
	2200	1.000	84	88	93	91	85	82	78	69	92	
		1.000	86	90	94	94	87	84	81	73	95	
	2400	2.000	84	89	93	93	86	83	79	71	93	

180 TCNHBLE

SIZE	RPM	SP	SOUND POWER re 10 ⁻¹² WATTS									
			OCTAVE BANDS								L _{wi} A	
			1	2	3	4	5	6	7	8		
180 TCNHBLE 09	1100	0.500	78	79	73	70	65	63	56	50	72	
		0.500	85	89	85	81	77	74	68	62	83	
	1700	1.000	85	89	85	80	76	73	68	62	83	
		0.500	91	96	93	90	85	81	77	71	92	
	2300	1.000	90	96	93	90	84	82	77	71	92	
		2.000	90	96	93	90	84	81	77	71	91	
180 TCNHBLE 10	1100	0.500	77	78	73	70	66	63	56	51	72	
		0.500	84	88	86	81	77	74	69	62	84	
	1700	1.000	84	88	85	81	77	74	69	62	83	
		2.000	84	88	84	79	75	72	68	63	82	
	2300	0.500	90	95	94	91	85	82	77	71	92	
		1.000	90	95	94	91	85	82	77	71	92	
180 TCNHBLE 11	1100	0.500	75	77	74	71	66	64	57	51	73	
		0.500	83	87	87	82	78	75	69	63	84	
	1700	1.000	83	87	86	81	77	74	69	62	84	
		2.000	84	88	84	79	76	72	68	64	82	
	2300	0.500	89	94	95	92	86	82	78	72	93	
		1.000	89	94	94	91	85	82	78	71	92	
180 TCNHBLE 12	1100	0.500	74	76	75	73	67	64	58	52	74	
		0.500	82	87	88	83	79	75	70	63	85	
	1700	1.000	82	86	87	82	78	75	69	63	84	
		2.000	84	88	84	80	76	72	68	64	82	
	2300	0.500	88	94	95	93	86	83	79	72	94	
		1.000	88	93	95	92	86	83	78	72	93	
180 TCNHBLE 13	1200	0.500	74	78	79	77	70	68	61	56	78	
		0.500	82	87	90	84	80	77	71	64	86	
	1750	1.000	81	86	89	83	79	76	71	64	86	
		2.000	83	87	86	80	77	73	68	63	83	
	2300	0.500	88	93	96	94	87	84	79	73	94	
		1.000	87	92	95	93	86	83	79	72	94	
180 TCNHBLE 14	1200	0.500	73	78	80	78	71	69	62	57	79	
		0.500	81	86	91	85	80	77	72	65	87	
	1750	1.000	80	85	90	84	80	76	71	64	86	
		2.000	82	86	86	80	77	74	69	63	83	
	2300	0.500	87	92	97	95	87	84	80	73	95	
		1.000	86	91	96	94	87	84	79	73	94	
180 TCNHBLE 15	1300	0.500	75	80	83	80	74	71	64	59	81	
		0.500	82	87	92	86	81	78	73	66	88	
	1800	1.000	81	86	91	84	80	77	72	65	87	
		2.000	83	87	89	83	80	76	71	66	86	
	2300	1.000	87	92	96	94	87	84	80	73	95	
		2.000	86	91	95	93	86	83	79	72	94	
180 TCNHBLE 16	1400	0.500	77	82	85	82	76	73	67	61	83	
		0.500	83	87	93	87	82	79	75	67	89	
	1850	1.000	83	86	92	86	81	78	74	66	88	
		2.000	84	88	91	86	82	79	74	68	88	
	2300	0.500	88	92	97	95	88	85	81	74	96	
		1.000	87	92	97	95	88	84	81	73	95	
180 TCNHBLE 17	1500	0.500	79	84	88	83	78	75	69	62	85	
		0.500	84	88	94	88	83	80	76	68	90	
	1900	1.000	84	87	93	87	82	79	75	67	89	
		2.000	85	89	93	88	84	81	76	70	90	
	2300	0.500	88	93	98	96	88	85	82	75	96	
		1.000	87	92	97	95	88	85	81	74	96	

The sound power level ratings shown are in decibels referred to 10⁻¹² watts calculated per AMCA Standard 301. The A-weighted sound ratings shown have been calculated per AMCA Standard 301. Values shown are for inlet L_{wi} and inlet L_{wi}A sound power levels for installation Type A: Free inlet, Free outlet. Ratings do not include the effects of duct end correction.

TCNHBLE Sound Data

180 TCNHBLE Continued

SIZE	RPM	SP	SOUND POWER re 10 ⁻¹² WATTS								
			OCTAVE BANDS								L _{wi} A
			1	2	3	4	5	6	7	8	
180 TCNHBLE 18	1600	0.500	80	86	90	85	80	77	72	64	87
		0.500	85	89	95	89	84	81	78	69	91
		1.000	84	88	94	89	83	80	76	68	91
	2300	2.000	86	90	94	91	85	82	78	72	92
		0.500	88	93	98	96	89	85	82	75	96
		1.000	88	92	97	96	88	85	82	74	96
180 TCNHBLE 19	1800	2.000	87	91	96	95	87	84	80	73	95
		3.000	89	95	98	98	91	87	84	78	98
		0.500	84	88	94	88	82	80	76	67	90
	2050	0.500	87	90	96	92	85	83	80	71	93
		1.000	86	90	96	91	85	82	79	70	93
		2.000	86	91	96	94	87	84	80	74	94
2300	0.500	89	93	98	97	89	86	83	76	97	
	1.000	88	93	98	96	89	85	82	75	96	
	2.000	87	91	97	95	88	84	80	73	95	
		3.000	90	96	99	101	93	89	86	100	

195 TCNHBLE

SIZE	RPM	SP	SOUND POWER re 10 ⁻¹² WATTS								
			OCTAVE BANDS								L _{wi} A
			1	2	3	4	5	6	7	8	
195 TCNHBLE 10	1000	0.500	76	76	73	70	66	65	58	50	72
		0.500	84	89	86	82	78	76	72	65	85
		1.000	84	90	86	82	78	76	71	64	85
	1600	0.500	90	96	95	91	86	84	80	74	93
		1.000	90	97	95	91	86	84	80	73	93
		2.000	89	97	95	91	85	84	80	73	93
2200	3.000	89	95	94	91	85	84	79	73	92	
	0.500	75	75	74	70	66	65	58	50	73	
	0.500	83	87	86	82	78	76	71	64	84	
195 TCNHBLE 11	1550	1.000	83	88	85	82	77	76	71	64	84
		0.500	88	94	93	90	85	84	79	72	92
		1.000	88	95	93	90	85	84	79	72	92
	2100	2.000	88	95	93	90	84	83	79	72	92
		3.000	88	94	92	89	84	83	78	72	91
		0.500	74	75	74	71	67	65	59	50	73
195 TCNHBLE 12	1550	0.500	82	86	86	82	78	77	72	64	85
		1.000	82	87	86	82	78	76	71	64	84
		0.500	88	93	94	91	85	84	80	73	93
	2100	1.000	87	93	94	90	85	84	79	72	92
		2.000	87	93	93	90	85	83	79	72	92
		3.000	88	94	92	89	84	83	78	72	91
195 TCNHBLE 13	1000	0.500	73	75	75	71	67	66	59	51	74
		0.500	81	85	87	83	79	77	72	64	85
		1.000	81	85	86	82	78	76	71	64	85
	1550	0.500	87	91	94	91	86	85	80	73	93
		1.000	87	92	94	91	86	84	80	72	93
		2.000	87	92	93	90	85	84	79	72	92
2100	3.000	88	94	93	89	84	83	79	73	91	
	0.500	72	74	76	72	68	66	59	51	74	
	0.500	80	84	88	84	80	78	72	64	86	
195 TCNHBLE 14	1550	1.000	80	84	87	83	79	77	72	64	85
		2.000	83	87	85	81	77	75	71	65	84
		0.500	86	90	95	92	87	85	81	73	93
	2100	1.000	86	90	94	91	86	85	80	73	93
		2.000	86	90	93	90	85	84	79	72	92
		3.000	87	93	93	89	84	83	79	73	91
195 TCNHBLE 15	1100	0.500	73	76	80	76	71	70	63	54	78
		0.500	80	84	89	85	81	79	73	65	87
		1.000	80	84	88	84	80	78	73	65	86
	1600	2.000	82	86	86	82	78	77	72	66	85
		0.500	86	89	95	92	87	86	81	73	94
		1.000	86	89	94	92	87	85	80	73	93
2100	2.000	85	88	93	90	85	84	79	72	92	
	3.000	87	92	93	89	85	84	79	73	92	
	0.500	73	76	80	76	71	70	63	54	78	
195 TCNHBLE 16	1600	0.500	81	84	90	85	81	79	74	66	88
		1.000	80	84	89	84	80	78	73	65	87
		2.000	82	85	86	82	78	77	72	66	85
	2100	0.500	86	89	96	93	88	86	82	74	95
		1.000	86	89	95	92	87	86	81	73	94
		2.000	85	89	94	91	86	84	80	72	93

195 TCNHBLE Continued

SIZE	RPM	SP	SOUND POWER re 10 ⁻¹² WATTS								
			OCTAVE BANDS								L _{wi} A
			1	2	3	4	5	6	7	8	
195 TCNHBLE 17	1200	0.500	75	79	83	79	74	73	66	58	81
		0.500	82	85	91	86	82	80	75	67	89
		1.000	81	85	90	85	82	79	74	66	88
	1650	2.000	82	85	88	83	79	78	73	67	86
		0.500	87	90	96	93	88	87	82	74	95
		1.000	87	90	96	93	88	86	82	74	94
195 TCNHBLE 18	2100	2.000	86	89	95	91	87	85	80	73	93
		3.000	87	90	93	90	85	84	79	73	92
		0.500	77	81	85	82	77	75	69	60	84
	1300	0.500	83	86	93	87	84	82	77	68	90
		1.000	82	85	92	86	83	81	75	67	89
		2.000	82	85	89	84	81	79	74	67	87
195 TCNHBLE 19	1700	1.000	87	90	96	93	88	87	82	74	95
		2.000	86	89	95	92	87	85	81	73	94
		3.000	87	90	94	90	85	84	79	73	92
	1300	4.000	89	92	92	88	83	82	78	74	91
		0.500	77	82	86	82	77	76	69	61	84
		0.500	83	87	93	88	84	82	77	68	91
195 TCNHBLE 20	1700	1.000	82	86	93	87	83	81	76	67	90
		2.000	82	85	90	85	81	79	74	67	88
		1.000	88	90	97	94	89	87	83	75	96
	2100	2.000	86	89	96	93	88	86	81	73	95
		3.000	87	90	95	91	86	84	80	73	93
		4.000	89	91	92	89	84	82	78	74	91
195 TCNHBLE 20	1400	0.500	79	84	88	84	80	78	72	63	86
		0.500	85	87	94	89	85	83	79	69	92
		1.000	83	87	94	88	84	82	77	69	91
	1750	0.500	89	91	98	95	90	88	84	76	97
		1.000	88	91	98	95	89	87	83	75	96
		2.000	87	90	97	94	88	86	81	74	95
2100	3.000	87	89	95	92	86	85	80	73	93	
	4.000	89	90	92	89	84	82	78	74	91	

210 TCNHBLE

SIZE	RPM	SP	SOUND POWER re 10 ⁻¹² WATTS								
			OCTAVE BANDS								L _{wi} A
			1	2	3	4	5	6	7	8	
210 TCNHBLE 11	900	0.500	80	79	70	68	65	62	56	49	71
		0.500	84	85	83	77	75	72	67	61	81
		1.000	85	87	83	77	74	72	67	61	81
	1300	0.500	88	89	88	83	80	79	74	68	87
		2.000	89	93	89	84	81	79	74	69	87
		3.000	88	92	89	84	80	78	73	68	87
210 TCNHBLE 12	1000	0.500	82	81	75	71	69	66	61	54	75
		0.500	84	85	84	78	76	74	68	62	82
		1.000	85	87	84	78	76	73	68	62	82
	1350	0.500	87	89	89	84	81	80	75	68	88
		1.000	88	90	89	84	81	80	75	68	88
		2.000	88	92	89	84	81	79	74	69	87
210 TCNHBLE 13	1000	0.500	81	82	76	71	69	66	61	54	75
		0.500	83	85	85	79	77	74	68	62	83
		1.000	84	86	85	78	76	74	68	62	82
	1350	0.500	87	89	90	85	82	81	75	69	88
		1.000	87	89	90	85	82	81	75		

210 TCNHBLE Continued

SIZE	RPM	SP	SOUND POWER re 10 ⁻¹² WATTS								
			OCTAVE BANDS								L _{WfA}
			1	2	3	4	5	6	7	8	
210 TCNHBLE 17	1100	0.500	78	84	83	76	74	70	63	56	80
	1400	0.500	81	85	89	82	81	78	71	63	87
		1.000	81	84	89	81	80	77	70	63	85
		0.500	85	88	93	88	86	84	78	70	91
	1700	2.000	84	86	91	85	83	81	75	68	89
		3.000	87	88	89	83	80	79	74	68	87
210 TCNHBLE 18	1100	0.500	77	84	84	77	75	71	63	56	81
	1400	0.500	81	85	90	83	82	79	72	64	87
		1.000	80	83	89	82	80	78	71	63	86
		1.000	84	87	93	88	86	84	78	70	91
	1700	2.000	83	85	91	86	84	82	76	69	89
		3.000	85	85	89	82	80	79	74	68	87
210 TCNHBLE 19	1200	0.500	79	85	87	80	78	74	67	59	83
	1450	0.500	82	85	91	84	83	81	74	65	88
		1.000	81	84	91	83	82	79	72	64	87
		1.000	84	87	93	88	86	85	78	70	92
	1700	2.000	83	85	92	86	84	82	76	69	90
		3.000	85	85	89	83	81	79	74	68	87
210 TCNHBLE 20	1300	0.500	80	85	89	82	80	77	70	62	86
	1500	0.500	83	85	92	84	84	82	75	66	90
		1.000	82	84	91	83	83	81	74	65	89
		0.500	85	88	94	89	87	86	80	71	93
	1700	1.000	84	87	93	88	86	85	78	70	92
		2.000	83	85	92	86	84	83	76	69	90
210 TCNHBLE 21	1400	0.500	81	85	91	84	83	80	73	64	88
	1550	1.000	81	84	90	83	81	79	71	63	87
		0.500	83	86	93	86	85	84	77	67	91
		1.000	83	85	92	85	84	82	75	67	90
	1700	1.000	85	87	94	88	87	85	79	70	92
		2.000	83	86	92	87	85	83	76	69	90
210 TCNHBLE 22	1400	0.500	82	86	91	84	83	81	74	64	88
	1550	0.500	84	86	93	86	86	84	77	68	91
		1.000	83	85	92	85	85	83	76	67	90
		1.000	85	88	94	88	87	85	79	70	92
	1700	2.000	83	86	93	87	85	83	76	69	91
210 TCNHBLE 23	1600	0.500	84	87	93	87	87	85	79	69	92
	1675	1.000	84	86	93	86	86	84	77	68	91
		0.500	85	89	94	89	88	86	81	71	93
		1.000	85	87	94	88	87	85	79	70	92
	1750	1.000	85	89	94	90	88	87	81	72	93
		2.000	84	87	94	89	86	85	78	70	92
210 TCNHBLE 24	1650	0.500	85	88	94	88	88	86	81	70	93
	1700	0.500	86	89	94	89	88	87	82	71	94
	1750	1.000	86	89	95	90	88	87	81	72	94

225 TCNHBLE

SIZE	RPM	SP	SOUND POWER re 10 ⁻¹² WATTS								
			OCTAVE BANDS								L _{WfA}
			1	2	3	4	5	6	7	8	
225 TCNHBLE 12	900	0.500	79	80	73	68	66	64	59	53	73
	1250	0.500	84	86	84	77	74	72	67	61	81
		1.000	85	87	84	77	74	72	67	61	81
		0.500	87	88	89	82	80	78	73	67	86
	1600	1.000	88	90	89	83	80	79	73	67	87
		2.000	90	93	89	84	81	79	74	68	87
225 TCNHBLE 13	900	0.500	79	81	74	69	67	65	59	53	73
	1250	0.500	84	86	85	78	75	73	67	61	82
		1.000	84	87	85	78	75	73	68	62	82
		0.500	87	88	89	83	81	79	74	68	87
	1600	1.000	88	90	90	83	81	79	74	68	87
		2.000	89	92	90	84	81	79	74	68	88
225 TCNHBLE 14	900	0.500	80	81	75	69	68	65	59	53	74
	1250	0.500	84	86	86	79	76	74	68	61	82
		1.000	84	87	85	78	76	73	68	62	82
		0.500	87	88	90	84	82	80	75	68	88
	1600	1.000	88	90	90	84	82	80	75	68	88
		2.000	89	91	90	84	82	80	74	68	88
225 TCNHBLE 15	900	0.500	80	82	76	70	68	66	59	54	74
	1250	0.500	84	86	86	79	77	74	69	62	83
		1.000	84	87	86	79	76	74	68	62	83
		0.500	87	88	91	85	83	81	76	68	89
	1600	1.000	88	89	91	85	83	81	76	68	89
		2.000	88	90	91	85	82	80	75	68	88
225 TCNHBLE 16	900	0.500	80	82	76	70	69	66	59	54	75
	1250	0.500	84	87	87	80	78	75	69	62	84
		1.000	84	87	87	79	77	74	69	62	83
		1.000	88	89	92	86	83	81	77	69	90
	1600	2.000	88	89	91	85	82	80	75	68	89
		3.000	89	90	90	84	81	79	74	67	87
225 TCNHBLE 17	900	0.500	80	83	77	70	70	66	59	54	75
	1250	0.500	84	87	88	81	78	76	70	62	85
		1.000	83	86	87	80	77	75	69	62	84
		1.000	88	88	93	87	84	82	77	69	90
	1600	2.000	87	88	92	85	83	81	75	68	89
		3.000	89	90	90	84	81	79	74	67	88
225 TCNHBLE 18	1000	0.500	82	85	82	74	74	70	63	57	79
	1300	0.500	84	87	90	83	80	78	71	63	87
		1.000	84	86	89	82	79	76	70	63	85
		0.500	87	87	94	87	85	83	78	70	91
	1600	1.000	88	88	94	87	85	83	78	69	91
		2.000	86	87	92	86	83	81	76	68	89
		3.000	88	89	90	84	81	79	74	67	88
225 TCNHBLE 19	1000	0.500	82	86	83	75	74	71	63	57	80
	1300	0.500	84	87	91	83	81	78	72	63	87
		1.000	83	86	90	82	79	77	71	63	86
		0.500	87	87	95	88	86	84	79	70	92
	1600	1.000	87	87	95	88	86	83	79	69	92
		2.000	86	86	93	86	84	81	76	68	90
		3.000	88	88	91	84	81	79	74	67	88
225 TCNHBLE 20	1100	0.500	82	87	87	79	77	74	66	59	83
	1350	0.500	84	87	92	84	82	80	74	65	88
		1.000	84	86	91	84	81	78	72	64	87
		0.500	87	87	95	88	86	84	80	70	92
	1600	1.000	87	87	95	88	86	84	79	70	92
		2.000	86	86	93	86	84	82	76	68	90
225 TCNHBLE 21	1100	0.500	82	87	87	79	77	74	66	59	83
	1350	0.500	84	87	92	85	82	80	74	65	89
		1.000	84	86	92	84	81	79	73	64	88
		0.500	87	88	95	89	86	84	80	71	93
	1600	1.000	87	87	95	89	86	84	79	70	92
		2.000	86	86	93	87	84	82	77	69	90
		3.000	87	87	91	84	82	80	74	69	88
225 TCNHBLE 22	1200	0.500	83	88	90	82	80	77	70	61	86
	1400	0.500	85	87	93	86	83	81	76	66	90
		1.000	85	86	93	85	82	80	74	65	89
		2.000	84	85	90	82	80	77	71	64	86
	1600	1.000	87	87	95	89	86	84	79	70	92
		2.000	86	86	94	87	84	82	77	69	90
		3.000	87	87	91	85	82	80	74	69	88

The sound power level ratings shown are in decibels referred to 10⁻¹² watts calculated per AMCA Standard 301. The A-weighted sound ratings shown have been calculated per AMCA Standard 301. Values shown are for inlet L_{Wf} and inlet L_{WfA} sound power levels for installation Type A: Free inlet, Free outlet. Ratings do not include the effects of duct end correction.

TCNHBLE Sound Data

225 TCNHBLE Continued

SIZE	RPM	SP	SOUND POWER re 10 ⁻¹² WATTS								
			OCTAVE BANDS								
			1	2	3	4	5	6	7	8	L _{Wf} A
225 TCNHBLE-23	1200	0.500	83	88	90	82	80	77	70	61	86
	1400	0.500	85	87	93	86	83	81	76	66	90
		1.000	85	87	93	85	83	80	75	66	89
	1600	1.000	87	88	96	89	86	84	80	70	93
2.000		86	86	94	87	85	82	77	69	91	
225 TCNHBLE 24	1300	0.500	84	88	92	84	82	80	74	64	88
	1450	0.500	86	88	94	87	84	83	78	68	91
		1.000	85	87	94	86	84	82	76	67	90
	1600	1.000	87	88	96	89	86	84	80	70	93
2.000		86	87	94	87	85	83	78	69	91	
225 TCNHBLE 25	1400	0.500	85	88	94	86	84	82	77	67	90
	1500	0.500	86	88	95	87	85	84	80	69	92
		1.000	85	86	95	87	85	83	78	68	91
	1600	1.000	87	88	96	89	87	85	80	71	93
2.000		86	87	94	87	85	83	78	69	91	
225 TCNHBLE 26	1500	0.500	86	88	95	88	86	84	80	69	92
	1575	0.500	87	89	96	89	87	85	82	71	93
		1.000	86	88	96	89	86	84	80	70	93
	1650	1.000	87	89	96	90	88	86	82	72	94

245 TCNHBLE

SIZE	RPM	SP	SOUND POWER re 10 ⁻¹² WATTS								
			OCTAVE BANDS								
			1	2	3	4	5	6	7	8	L _{Wf} A
245 TCNHBLE 13	800	0.500	79	79	74	68	68	65	61	53	73
	1150	0.500	83	85	84	77	76	74	71	64	82
		1.000	85	87	84	78	76	74	71	63	82
	1500	0.500	87	90	89	85	82	81	79	73	89
1.000		89	92	89	85	82	81	79	72	89	
245 TCNHBLE 14	800	0.500	79	80	74	68	68	65	61	53	73
	1100	0.500	83	85	83	77	75	74	70	62	81
		1.000	83	86	83	77	75	73	69	62	81
	1400	0.500	86	89	89	83	81	80	77	70	87
2.000		88	92	88	84	81	79	76	69	87	
245 TCNHBLE 15	800	0.500	78	80	75	69	68	65	61	53	74
	1150	0.500	83	86	85	78	77	75	72	63	83
		1.000	84	86	85	78	77	75	71	63	83
	1500	1.000	88	92	91	87	83	81	79	72	90
2.000		88	92	90	86	83	81	78	72	89	
245 TCNHBLE 16	800	0.500	78	81	75	69	68	65	61	53	74
	1150	0.500	82	86	86	79	77	75	72	63	83
		1.000	83	86	86	79	77	75	71	63	83
	1500	0.500	86	91	91	87	84	82	79	72	90
2.000		88	92	90	87	83	81	78	72	90	
245 TCNHBLE 17	900	0.500	79	83	80	73	71	69	64	56	77
	1200	0.500	83	86	88	80	79	76	73	64	85
		1.000	83	86	88	80	78	76	73	64	85
	1500	0.500	86	91	92	88	84	82	79	72	91
1.000		87	92	92	88	84	82	79	72	91	
245 TCNHBLE 18	900	0.500	78	83	80	73	71	69	64	56	78
	1200	0.500	82	86	89	81	79	77	73	64	86
		1.000	83	86	88	80	79	76	73	64	85
	1500	0.500	86	91	93	89	85	82	79	72	91
1.000		86	91	93	88	84	82	79	72	91	
245 TCNHBLE 19	900	0.500	78	84	81	74	72	69	64	56	78
	1200	0.500	82	86	90	81	80	77	73	64	86
		1.000	82	85	89	81	79	76	73	64	85
	1500	0.500	86	91	94	89	85	83	79	72	92
1.000		86	91	94	89	85	82	79	72	92	
245 TCNHBLE 20	900	0.500	77	84	82	74	72	69	64	56	78
	1200	0.500	81	86	91	82	80	77	73	64	87
		1.000	81	85	90	81	79	76	73	64	86
	1500	0.500	85	91	95	90	86	83	79	72	92
1.000		85	91	95	90	85	83	79	72	92	
1500	2.000	85	89	93	88	84	82	79	72	91	
	3.000	87	91	90	86	83	81	78	71	89	

245 TCNHBLE Continued

SIZE	RPM	SP	SOUND POWER re 10 ⁻¹² WATTS								
			OCTAVE BANDS								
			1	2	3	4	5	6	7	8	L _{Wf} A
2445 TCNHBLE 21	1000	0.500	78	85	86	78	75	72	67	59	82
	1250	0.500	82	87	92	84	81	78	74	65	88
		1.000	81	86	92	83	81	78	74	65	87
	1500	0.500	85	91	96	91	86	83	80	72	93
2.000		85	90	96	90	86	83	79	72	93	
245 TCNHBLE 22	1000	0.500	79	85	86	78	75	72	67	59	82
	1250	0.500	82	87	93	84	82	78	75	65	88
		1.000	82	86	92	83	81	78	74	65	88
	1500	0.500	85	91	96	91	86	83	80	72	93
1.000		85	91	96	91	86	83	79	72	93	
245 TCNHBLE 23	1100	0.500	80	86	90	81	78	75	71	62	85
	1300	0.500	83	89	94	86	83	80	76	67	90
		1.000	83	87	93	85	82	79	75	67	89
	1500	2.000	82	85	90	83	81	78	75	67	87
0.500		86	92	96	91	86	83	80	72	93	
245 TCNHBLE 24	1100	0.500	81	87	90	81	78	75	71	62	85
	1300	0.500	83	89	94	86	83	80	76	67	90
		1.000	83	88	93	85	82	79	75	67	89
	1500	0.500	86	92	96	91	87	84	80	72	93
1.000		86	91	96	91	86	83	79	72	93	
245 TCNHBLE 25	1200	0.500	82	88	93	83	81	78	74	64	88
	1350	1.000	82	86	92	82	80	77	73	64	87
		0.500	84	90	95	88	84	81	77	69	91
	1500	1.000	84	89	95	87	84	80	77	68	90
0.500		86	92	97	92	87	84	80	72	94	
245 TCNHBLE 26	1200	0.500	83	88	93	83	81	78	74	65	88
	1350	0.500	85	90	95	88	84	81	77	69	91
		1.000	84	90	95	87	84	80	77	69	91
	1500	1.000	86	92	97	92	87	84	80	72	94
2.000		85	90	95	90	85	83	79	72	92	
245 TCNHBLE 27	1300	0.500	84	90	95	87	83	80	76	68	90
	1400	0.500	86	92	96	89	85	82	79	70	92
		1.000	85	91	96	89	85	82	78	70	92
	1500	1.000	87	93	97	92	87	84	80	72	94
245 TCNHBLE 28	1400	0.500	86	92	96	90	86	82	79	70	92
	1400	0.500	87	93	97	91	86	83	80	72	93
		1.000	86	92	97	91	86	83	79	71	93
	1500	1.000	87	93	97	92	87	84	80	73	94

The sound power level ratings shown are in decibels referred to 10⁻¹² watts calculated per AMCA Standard 301. The A-weighted sound ratings shown have been calculated per AMCA Standard 301. Values shown are for inlet L_{Wf} and inlet L_{Wf}A sound power levels for installation Type A: Free inlet, Free outlet. Ratings do not include the effects of duct end correction.

270 TCNHBLE

SIZE	RPM	SP	SOUND POWER re 10 ⁻¹² WATTS								L _{WjA}
			OCTAVE BANDS								
			1	2	3	4	5	6	7	8	
270 TCNHBLE 14	700	0.500	77	78	72	67	66	62	57	50	71
		0.500	84	86	83	78	75	71	66	60	81
	1000	1.000	84	86	83	78	75	71	66	60	81
		0.500	90	92	89	86	82	78	72	67	88
		2.000	90	92	89	86	82	78	72	67	88
270 TCNHBLE 15	700	0.500	77	79	73	67	66	62	57	50	71
		0.500	83	86	84	79	75	71	66	60	81
	1000	1.000	83	86	83	78	75	71	66	60	81
		0.500	90	91	90	86	83	78	72	67	88
		2.000	89	91	90	86	82	78	72	67	88
270 TCNHBLE 16	700	0.500	76	79	73	68	66	62	57	50	72
		0.500	83	86	84	79	75	71	66	60	82
	1000	1.000	83	86	84	79	75	71	66	60	81
		0.500	89	91	91	86	83	78	72	67	89
		2.000	89	91	90	86	82	78	72	67	88
270 TCNHBLE 17	700	0.500	76	80	74	68	66	62	57	50	72
		0.500	82	86	85	79	76	72	66	60	82
	1000	1.000	82	86	84	79	75	71	66	60	82
		0.500	88	91	92	87	83	79	73	67	89
		2.000	88	90	90	86	82	78	72	67	88
270 TCNHBLE 18	700	0.500	75	80	74	68	66	62	57	50	72
		0.500	82	86	86	80	76	72	66	60	83
	1000	1.000	81	86	85	79	75	71	66	60	82
		0.500	88	90	93	87	84	79	73	67	90
		2.000	87	89	91	86	82	78	72	67	88
270 TCNHBLE 19	800	0.500	77	84	80	72	70	66	61	54	77
		0.500	82	87	88	82	78	73	67	61	84
	1050	1.000	82	86	87	81	77	72	67	61	83
		0.500	87	90	93	88	84	79	73	67	90
		2.000	87	89	91	86	82	78	72	67	88
270 TCNHBLE 20	800	0.500	76	85	80	73	70	66	61	54	77
		0.500	82	87	89	82	78	73	67	61	85
	1050	1.000	81	86	88	81	77	72	67	61	84
		0.500	87	89	94	88	84	79	73	67	91
		2.000	86	89	94	88	84	79	73	67	90
270 TCNHBLE 21	800	0.500	75	85	81	73	70	66	61	54	77
		0.500	81	87	90	82	78	73	67	61	85
	1050	1.000	80	86	88	81	77	72	67	61	84
		0.500	86	89	95	88	85	80	73	67	91
		2.000	86	89	95	88	84	79	73	67	91
270 TCNHBLE 22	800	0.500	75	85	81	73	70	66	61	54	77
		0.500	80	87	90	82	78	73	67	61	86
	1050	1.000	80	85	89	81	77	72	67	61	84
		0.500	85	89	96	89	85	80	73	67	92
		2.000	84	86	94	86	83	77	71	66	89
270 TCNHBLE 23	900	0.500	77	87	86	78	74	69	64	57	81
		0.500	82	87	92	84	80	75	69	63	87
	1100	1.000	81	86	91	83	79	74	68	62	86
		0.500	86	89	96	89	85	80	74	67	92
		2.000	84	87	94	86	83	77	71	66	89
270 TCNHBLE 24	900	0.500	77	87	86	78	74	70	64	57	82
		0.500	82	87	92	85	80	75	69	63	87
	1100	1.000	81	86	91	83	79	74	68	63	86
		0.500	86	89	97	89	86	80	74	68	92
		2.000	84	87	94	87	83	78	72	66	90
270 TCNHBLE 25	900	0.500	78	87	86	78	74	70	64	58	82
		0.500	82	88	92	85	81	76	70	63	88
	1100	1.000	81	87	91	84	79	74	68	63	87
		0.500	86	90	97	89	86	81	75	68	92
		2.000	84	87	94	87	83	78	72	67	90
270 TCNHBLE 26	1000	0.500	80	88	90	82	78	73	67	61	85
		0.500	79	86	88	81	76	72	66	60	84
	1150	1.000	84	88	94	86	82	77	71	64	89
		0.500	83	87	93	85	81	76	70	64	88
		2.000	86	90	97	90	86	81	75	68	93
1300	0.500	85	87	95	87	84	78	72	67	90	

270 TCNHBLE Continued

SIZE	RPM	SP	SOUND POWER re 10 ⁻¹² WATTS								L _{WjA}
			OCTAVE BANDS								
			1	2	3	4	5	6	7	8	
270 TCNHBLE 27	1000	0.500	80	88	90	82	78	73	67	61	85
		0.500	84	89	94	86	82	77	72	65	89
	1150	1.000	83	87	94	86	82	76	70	64	89
		0.500	87	90	97	90	86	81	76	68	93
		2.000	85	88	95	88	84	79	72	67	90
270 TCNHBLE 28	1100	0.500	83	89	93	85	81	76	71	63	88
		1.000	82	87	92	84	80	75	69	63	87
	1225	0.500	86	89	96	88	85	79	74	67	92
		1.000	85	88	96	88	84	79	72	66	91
		2.000	88	92	98	92	88	83	77	70	94
270 TCNHBLE 29	1350	1.000	87	91	98	91	87	82	76	69	94
		2.000	86	89	96	90	86	80	74	68	92
	1100	0.500	83	89	93	86	81	77	71	64	89
		0.500	86	90	97	88	85	80	75	67	92
		1.000	85	88	97	88	84	79	72	66	91
270 TCNHBLE 30	1150	0.500	85	90	95	87	83	78	73	65	90
		0.500	87	90	97	89	86	81	76	68	93
	1250	1.000	85	89	97	89	85	80	73	67	92
		0.500	87	91	99	92	87	82	76	70	94
		2.000	86	89	97	90	86	81	74	69	93

300 TCNHBLE

SIZE	RPM	SP	SOUND POWER re 10 ⁻¹² WATTS								L _{WjA}
			OCTAVE BANDS								
			1	2	3	4	5	6	7	8	
300 TCNHBLE 16	700	0.500	81	81	77	72	68	63	58	52	75
		0.500	86	88	83	79	77	72	66	61	82
	950	1.000	88	88	84	80	78	73	66	61	83
		0.500	89	92	91	85	83	79	73	68	88
		2.000	93	95	92	86	84	80	74	68	90
300 TCNHBLE 17	700	0.500	80	82	77	72	69	63	58	52	75
		0.500	86	88	83	80	78	73	66	61	83
	950	1.000	88	89	84	80	78	73	67	61	83
		0.500	89	93	92	86	83	79	73	68	89
		2.000	92	94	93	86	84	80	74	68	90
300 TCNHBLE 18	700	0.500	80	83	78	73	69	64	58	52	75
		0.500	85	89	84	80	78	73	67	61	83
	950	1.000	87	89	84	80	78	73	67	61	83
		0.500	89	93	92	86	84	80	74	68	90
		2.000	91	94	93	87	84	80	74	68	90
300 TCNHBLE 19	700	0.500	80	83	78	73	70	64	58	52	76
		0.500	85	89	84	80	78	74	67	61	84
	950	1.000	86	89	84	80	78	74	67	61	83
		0.500	88	94	93	87	84	80	74	68	90
		2.000	90	94	93	87	84	80	74	68	90
300 TCNHBLE 20	700	0.500	79	84	78	73	70	64	58	52	76
		0.500	85	90	85	81	79	74	67	61	84
	950	1.000	86	90	85	81	78	74	67	61	84
		0.500	88	94	93	87	85	81	75	69	91
		2.000	89	94	94	87	85	81	75	68	91
300 TCNHBLE 21	700	0.500	79	84	79	74	70	64	58	52	77
		0.500	84	90	85	81	79	75	68	62	84
	950	1.000	85	90	85	81	79	74	67	62	84
		0.500	88	94	94	88	85	81	75	69	91
		2.000	89	94	93	87	84	80	74	68	90
300 TCNHBLE 22	700	0.500	78	85	79	74	71	65	58	52	77
		0.500	84	91	86	82	80	75	68	62	85
	950	1.000	84	90	85	81	79	74	67	62	84
		0.500	88	95	94	88	86	82	76	69	91
		2.000	88	94	93	87	84	80	74	68	90
300 TCNHBLE 23	700	0.500	78	86	80	74	71	65	58	52	77
		0.500	84	91	86	82	80	76	68	62	85
	950	1.000	83	90	85	81	79	74	67	62	84
		0.500	88	95	95	89	86	82	76	69	92
		2.000	88	95	95	89	86	82	76	69	92
1200	0.500	87	94	93	87	84	80	74	68	90	

The sound power level ratings shown are in decibels referred to 10⁻¹² watts calculated per AMCA Standard 301. The A-weighted sound ratings shown have been calculated per AMCA Standard 301. Values shown are for inlet L_{Wj} and inlet L_{WjA} sound power levels for installation Type A: Free inlet, Free outlet. Ratings do not include the effects of duct end correction.

TCNHBLE Sound Data

300 TCNHBLE

SIZE	RPM	SP	SOUND POWER re 10 ⁻¹² WATTS								
			OCTAVE BANDS								L _{wi} A
			1	2	3	4	5	6	7	8	
300 TCNHBLE 24	800	0.500	80	89	84	79	75	70	62	56	82
		0.500	84	92	88	84	82	78	70	64	87
		1.000	84	91	87	83	81	76	69	63	86
	1000	2.000	85	90	85	81	79	74	68	63	84
		0.500	87	95	95	89	86	83	76	69	92
		2.000	86	94	93	87	84	81	74	68	90
300 TCNHBLE 25	800	0.500	81	89	84	79	76	70	63	56	82
		0.500	84	93	88	84	82	78	70	64	87
		1.000	84	92	87	83	81	77	69	63	86
	1000	0.500	87	95	96	89	87	83	77	70	93
		1.000	87	95	95	89	86	83	76	69	92
		2.000	87	94	94	87	85	81	74	68	90
300 TCNHBLE 26	800	0.500	81	90	84	79	76	71	63	56	82
		0.500	84	93	88	84	82	78	71	64	87
		1.000	84	92	87	83	81	77	69	63	86
	1000	0.500	88	96	96	89	87	83	77	70	93
		1.000	87	95	96	89	86	83	76	69	92
		2.000	87	94	94	87	85	81	74	68	91
300 TCNHBLE 27	800	0.500	81	90	84	79	76	71	63	56	82
		0.500	85	93	89	84	82	78	71	64	88
		1.000	84	93	88	84	81	77	70	63	87
	1000	0.500	88	96	96	90	87	84	77	70	93
		1.000	88	96	96	89	86	83	76	69	93
		2.000	87	94	94	88	85	81	75	69	91
300 TCNHBLE 28	900	0.500	83	92	87	82	80	75	68	60	85
		0.500	86	94	91	86	84	80	73	66	89
		1.000	85	94	90	85	83	79	72	65	89
	1050	0.500	88	96	96	90	87	84	78	70	93
		1.000	88	96	96	89	87	83	77	70	93
		2.000	87	94	94	88	85	81	75	69	91
300 TCNHBLE 29	900	0.500	83	92	87	82	80	76	68	61	85
		0.500	86	94	91	86	84	80	73	66	89
		1.000	85	94	90	85	83	79	72	65	89
	1050	0.500	88	96	96	90	87	84	78	70	93
		1.000	88	96	96	89	87	83	77	70	93
		2.000	87	94	94	88	85	81	75	69	91
300 TCNHBLE 30	950	0.500	84	93	88	83	82	78	70	63	87
		0.500	87	95	92	87	85	81	74	67	90
		1.000	86	95	92	86	84	80	73	66	90
	1075	0.500	89	97	97	90	88	85	78	71	94
		1.000	88	96	97	90	87	84	77	70	93
		2.000	87	95	95	88	86	82	75	69	92
300 TCNHBLE 31	1000	0.500	86	94	90	85	83	80	72	65	88
		0.500	87	96	94	88	86	82	76	68	91
		1.000	87	95	93	87	85	81	74	67	91
	1100	0.500	88	97	97	90	87	84	78	70	94
		1.000	88	97	97	90	87	84	78	70	94
		2.000	87	95	95	89	86	82	76	69	92
300 TCNHBLE 32	1050	0.500	87	95	92	87	85	81	74	66	90
		0.500	88	96	95	89	86	83	77	69	92
		1.000	87	96	94	88	86	82	76	68	92
	1125	0.500	89	97	97	90	87	84	78	70	94
		1.000	89	97	97	90	87	84	78	70	94
		2.000	87	96	96	89	86	83	76	69	92

330 TCNHBLE

SIZE	RPM	SP	SOUND POWER re 10 ⁻¹² WATTS								
			OCTAVE BANDS								L _{wi} A
			1	2	3	4	5	6	7	8	
330 TCNHBLE 18	600	0.500	80	81	75	74	73	64	58	51	77
		0.500	86	90	84	80	79	74	67	62	83
		1.000	88	90	84	81	79	74	68	62	84
	850	0.500	91	96	91	85	83	80	74	69	89
		1.000	93	96	92	86	84	80	75	69	90
		2.000	94	96	92	86	84	81	75	69	90
330 TCNHBLE 19	600	0.500	80	81	76	74	74	64	58	52	77
		0.500	86	91	84	80	79	74	67	62	84
		1.000	88	90	84	81	79	74	68	62	84
	850	0.500	91	96	92	86	84	80	75	69	90
		1.000	92	96	92	86	84	81	75	69	90
		2.000	92	96	92	86	84	81	75	69	90
330 TCNHBLE 20	600	0.500	80	82	76	74	74	64	58	52	77
		0.500	86	91	85	81	79	74	68	62	84
		1.000	87	91	85	81	79	74	68	62	84
	850	0.500	91	97	93	86	84	81	75	70	90
		1.000	91	97	93	86	84	81	75	70	90
		2.000	93	96	92	87	84	81	75	70	90

330 TCNHBLE Continued

SIZE	RPM	SP	SOUND POWER re 10 ⁻¹² WATTS								
			OCTAVE BANDS								L _{wi} A
			1	2	3	4	5	6	7	8	
330 TCNHBLE 21	600	0.500	79	83	77	74	74	65	58	52	77
		0.500	86	92	85	81	79	75	68	63	85
		1.000	87	91	85	81	79	75	68	63	84
	850	0.500	91	97	93	87	84	81	75	70	91
		2.000	92	96	92	87	84	81	75	70	90
		0.500	79	84	77	74	74	65	58	52	78
330 TCNHBLE 22	600	0.500	86	93	86	82	80	75	68	63	85
		1.000	86	92	85	81	79	75	68	63	85
		2.000	90	98	94	87	85	81	75	70	91
	850	0.500	91	97	93	87	84	81	75	70	91
		1.000	91	97	93	87	84	81	75	70	91
		2.000	91	97	93	87	84	81	75	70	91
330 TCNHBLE 23	600	0.500	79	85	78	74	74	65	58	53	78
		0.500	86	94	87	82	80	75	68	63	86
		1.000	86	93	86	81	79	75	68	63	85
	850	0.500	90	98	95	88	85	82	76	70	92
		2.000	90	97	93	87	84	81	75	70	91
		3.000	91	96	92	86	83	80	75	70	89
330 TCNHBLE 24	600	0.500	79	86	78	74	75	65	58	53	78
		0.500	86	94	87	82	80	76	68	63	86
		1.000	85	93	86	81	79	75	68	63	85
	850	0.500	90	98	95	88	85	82	76	70	92
		2.000	90	97	93	87	84	81	75	70	91
		3.000	91	96	92	86	83	80	75	70	89
330 TCNHBLE 25	600	0.500	82	91	83	78	78	70	63	58	82
		0.500	86	96	89	84	82	77	70	65	88
		1.000	86	95	88	83	81	77	70	65	87
	900	0.500	90	99	96	89	86	83	76	71	93
		1.000	89	99	96	89	86	82	76	71	92
		2.000	88	97	94	87	85	81	75	71	91
330 TCNHBLE 26	700	0.500	81	91	84	78	78	70	63	58	83
		0.500	86	97	89	84	82	78	70	65	88
		1.000	85	96	88	83	81	77	70	65	87
	900	0.500	89	100	96	89	87	83	76	71	93
		1.000	89	99	96	89	86	83	76	71	93
		2.000	88	98	94	87	85	81	75	71	91
330 TCNHBLE 27	700	0.500	82	92	84	78	78	70	63	58	83
		0.500	86	97	90	84	82	78	70	65	88
		1.000	85	96	88	83	81	77	70	65	87
	900	0.500	89	100	97	90	87	83	77	71	93
		1.000	89	100	96	89	87	83	76	71	93
		2.000	88	98	94	87	85	81	76	71	91
330 TCNHBLE 28	700	0.500	82	92	84	78	78	71	63	58	83
		0.500	86	97	90	85	82	78	71	65	88
		1.000	86	96	89	83	81	77	70	65	87
	900	0.500	90	100	97	90	87	84	77	71	94
		1.000	89	100	96	89	87	83	76	71	93
		2.000	88	98	94	87	85	82	76	71	91
330 TCNHBLE 29	700	0.500	82	92	85	79	78	71	63	58	83
		0.500	87	97	90	85	82	78	71	65	89
		1.000	86	96	89	84	82	77	70	65	88
	900	0.500	90	100	97	90	87	84	77	71	94
		1.000	89	100	97	90	87	83	77	71	94
		2.000	88	98	95	88	85	82	76	71	92
330 TCNHBLE 30	800	0.500	85	95	88	82	80	75	67	62	86
		1.000	84	93	86	81	79	74	67	62	85
		0.500	88	99	91	86	84	80	72	67	90
	950	1.000	87	98	90	85	83	79	72	67	89
		2.000	85	95	87	82	81	77	71	67	87
		3.000	90	100	97	90	87	84	77	71	94
330 TCNHBLE 31	800	0.500	85	95	88	83	80	75	68	62	86
		0.500	88	99	91	86	84	80	73	67	90
		1.000	87	98	90	85	83	79	72	67	89
	950	2.000	85	95	87	83	81	77	71	67	87
		1.000	90	100	9						

330 TCNHBLE Continued

SIZE	RPM	SP	SOUND POWER re 10 ⁻¹² WATTS								
			OCTAVE BANDS								L _{wi} A
			1	2	3	4	5	6	7	8	
330 TCNHBLE 33	850	0.500	87	97	90	84	82	77	70	64	88
	975	0.500	89	100	92	87	85	82	74	68	91
		1.000	88	99	92	86	84	80	73	68	90
	1100	0.500	91	101	98	91	88	85	78	72	95
		2.000	89	99	96	88	86	83	76	71	92
330 TCNHBLE 34	850	0.500	87	97	90	84	82	78	70	64	88
	975	0.500	89	100	93	87	85	82	74	68	91
		1.000	88	99	92	86	85	81	73	68	91
	1100	1.000	91	101	98	91	88	85	77	71	95
		2.000	89	99	96	89	86	83	76	71	93
330 TCNHBLE 35	900	0.500	88	98	92	86	84	80	72	65	90
	1000	0.500	90	100	94	88	86	83	75	69	92
		1.000	89	100	93	87	86	82	74	68	92
	1100	0.500	91	101	98	91	89	86	79	72	95
		1.000	91	101	98	91	88	85	77	71	95
330 TCNHBLE 36	950	0.500	89	100	93	87	85	82	74	67	91
	1025	0.500	90	101	95	89	87	84	76	69	93
		1.000	90	100	95	88	86	83	75	69	93
	1100	0.500	92	102	99	91	89	86	79	72	95
		2.000	89	99	96	89	87	83	76	71	93

365 TCNHBLE

SIZE	RPM	SP	SOUND POWER re 10 ⁻¹² WATTS								
			OCTAVE BANDS								L _{wi} A
			1	2	3	4	5	6	7	8	
365 TCNHBLE 19	600	0.500	84	85	79	78	76	69	62	55	80
	800	0.500	90	92	85	82	79	74	68	63	85
		1.000	91	92	86	83	80	75	69	63	85
	1000	0.500	93	97	92	88	84	80	75	69	90
		2.000	95	98	93	89	85	81	76	70	91
365 TCNHBLE 20	600	0.500	84	85	79	78	76	69	62	56	80
	800	0.500	90	93	85	83	79	75	69	63	85
		1.000	91	93	86	83	80	75	69	64	86
	1000	0.500	93	97	93	88	85	80	75	69	91
		2.000	94	98	94	89	86	81	76	70	92
365 TCNHBLE 21	600	0.500	85	85	79	78	76	70	62	56	80
	800	0.500	89	93	85	83	79	75	69	63	85
		1.000	90	93	86	83	80	75	69	64	86
	1000	0.500	93	97	93	88	85	81	75	70	91
		1.000	94	98	94	89	86	82	76	70	92
365 TCNHBLE 22	600	0.500	85	86	79	78	76	70	62	56	80
	800	0.500	89	94	86	83	80	75	69	63	86
		1.000	89	94	86	83	80	75	69	64	86
	1000	0.500	93	98	94	89	85	81	75	70	92
		2.000	93	98	93	88	85	81	75	70	91
365 TCNHBLE 23	600	0.500	85	86	79	77	76	70	62	56	80
	800	0.500	89	95	86	83	80	75	69	63	86
		1.000	89	94	86	83	80	75	69	64	86
	1000	0.500	92	98	94	89	86	81	76	70	92
		2.000	93	99	95	89	86	82	76	70	92
365 TCNHBLE 24	600	0.500	85	87	79	77	76	70	62	57	80
	800	0.500	88	95	86	84	80	75	69	64	86
		1.000	88	94	86	83	80	75	69	64	86
	1000	0.500	92	98	95	89	86	82	76	70	92
		2.000	91	98	94	88	85	81	75	70	91
365 TCNHBLE 25	600	0.500	86	87	79	77	76	70	62	57	80
	800	0.500	88	96	87	84	80	76	69	64	87
		1.000	87	95	86	83	80	75	69	64	86
	1000	0.500	92	99	95	90	86	82	76	70	93
		2.000	91	98	94	88	85	81	75	70	91
365 TCNHBLE 26	600	0.500	86	87	79	77	76	70	62	57	80
	800	0.500	87	96	87	84	81	76	69	64	87
		1.000	87	95	86	83	79	75	69	64	86
	1000	0.500	91	99	96	90	87	82	76	70	93
		2.000	90	97	94	88	85	81	75	70	91
365 TCNHBLE 27	600	0.500	86	88	79	77	76	70	63	57	80
	775	0.500	86	96	86	83	80	75	68	63	86
		1.000	85	95	84	82	78	74	68	63	85
	950	0.500	90	99	94	89	86	81	75	69	92
		2.000	88	96	91	86	83	79	73	69	89

365 TCNHBLE Continued

SIZE	RPM	SP	SOUND POWER re 10 ⁻¹² WATTS								
			OCTAVE BANDS								L _{wi} A
			1	2	3	4	5	6	7	8	
365 TCNHBLE 28	600	0.500	86	88	79	77	76	70	63	57	81
	775	0.500	87	97	86	84	80	75	68	63	87
		1.000	86	95	85	82	79	74	68	63	85
	950	0.500	90	99	94	89	86	81	75	69	92
		2.000	88	97	92	86	83	79	74	69	89
365 TCNHBLE 29	600	0.500	87	88	80	77	77	70	63	57	81
	775	0.500	87	97	86	84	80	75	68	63	87
		1.000	86	96	85	82	79	74	68	63	85
	950	0.500	91	99	95	89	86	82	75	69	92
		2.000	88	97	92	87	83	79	74	69	90
365 TCNHBLE 30	600	0.500	87	88	80	77	77	70	63	57	81
	800	0.500	88	98	88	85	82	77	70	64	88
		1.000	87	96	87	84	80	76	69	64	87
	1000	0.500	92	100	97	91	88	83	77	71	94
		2.000	92	100	97	90	87	83	77	71	94
365 TCNHBLE 31	600	0.500	87	89	80	77	77	70	63	57	81
	800	0.500	88	98	88	85	82	77	70	64	88
		1.000	87	97	87	84	81	76	69	64	87
	1000	0.500	92	100	97	91	88	84	77	71	94
		2.000	92	100	97	91	88	83	77	71	94
365 TCNHBLE 32	650	0.500	88	92	83	80	78	73	65	59	83
	800	0.500	88	98	88	85	82	77	70	64	88
		1.000	87	97	87	84	81	76	69	64	87
	950	0.500	91	100	95	90	87	83	76	69	93
		2.000	89	98	93	87	84	80	74	69	90
365 TCNHBLE 33	650	0.500	88	93	83	80	78	73	65	59	84
	825	0.500	89	99	90	86	83	79	71	65	90
		1.000	88	98	89	85	82	77	71	65	88
	1000	0.500	93	101	98	92	89	84	78	71	95
		2.000	90	99	95	89	86	82	76	70	93
365 TCNHBLE 34	700	0.500	88	96	85	82	80	75	67	61	86
	850	0.500	90	99	91	87	85	80	72	66	91
		1.000	89	98	91	87	83	79	72	66	90
	1000	0.500	93	101	98	92	89	85	78	71	95
		2.000	93	101	98	92	88	84	78	71	95
365 TCNHBLE 35	700	0.500	89	96	86	82	80	75	67	61	86
	850	0.500	90	99	92	88	85	80	73	66	91
		1.000	89	99	91	87	84	79	72	66	90
	1000	0.500	93	101	98	92	89	85	78	71	95
		2.000	93	101	98	92	89	84	78	71	95
365 TCNHBLE 36	700	0.500	89	96	86	83	80	75	67	61	86
	850	0.500	90	100	92	88	85	80	73	67	91
		1.000	89	99	91	87	84	79	72	66	90
	1000	0.500	93	102	98	92	89	85	78	71	96
		2.000	91	99	96	90	87	83	76	70	93
365 TCNHBLE 37	750	0.500	89	99	88	85	82	77	69	63	88
	875	0.500	91	100	93	89	86	81	74	67	92
		1.000	90	100	93	88	85	80	73	67	91
	1000	0.500	94	102	99	93	90	86	78	72	96</

TCNHBLE Sound Data

402 TCNHBLE

SIZE	RPM	SP	SOUND POWER re 10 ⁻¹² WATTS								
			OCTAVE BANDS								L _{WfA}
			1	2	3	4	5	6	7	8	
402 TCNHBLE 21	500	0.500	85	82	77	79	77	67	59	53	81
	675	0.500	90	91	84	82	80	75	67	62	85
		1.000	90	91	85	83	80	75	68	62	85
		0.500	94	96	90	86	83	79	73	68	89
402 TCNHBLE 22	500	0.500	85	82	77	79	78	68	60	54	81
	675	0.500	90	92	85	82	80	75	68	62	85
		1.000	90	92	85	83	80	75	68	62	85
		0.500	94	97	90	87	83	79	73	68	89
402 TCNHBLE 23	500	0.500	86	82	77	78	78	68	60	54	81
	675	0.500	90	92	85	83	80	75	68	62	85
		1.000	90	92	85	83	80	75	68	62	85
		0.500	94	97	90	87	84	79	73	68	90
402 TCNHBLE 24	500	0.500	86	82	77	78	78	68	60	54	81
	675	0.500	90	93	85	83	80	75	68	62	85
		1.000	90	92	85	82	80	75	68	62	85
		0.500	93	98	91	87	84	79	73	68	90
402 TCNHBLE 25	500	0.500	86	82	77	78	78	68	60	55	81
	675	0.500	90	93	85	83	80	75	68	62	86
		1.000	90	93	84	82	80	75	68	62	85
		0.500	93	98	91	88	84	80	74	68	90
402 TCNHBLE 26	500	0.500	87	82	77	77	78	68	60	55	81
	675	0.500	90	94	85	83	80	75	68	62	86
		1.000	90	93	84	82	80	75	68	62	85
		0.500	93	99	91	88	84	80	74	68	91
402 TCNHBLE 27	500	0.500	87	83	77	77	78	68	61	56	81
	675	0.500	90	94	86	83	80	75	68	62	86
		1.000	90	93	84	82	80	75	68	62	85
		0.500	93	99	92	88	85	80	74	68	91
402 TCNHBLE 28	500	0.500	88	83	77	77	79	68	61	56	81
	675	0.500	90	95	86	83	80	75	68	62	86
		1.000	90	94	84	82	80	75	68	62	85
		0.500	92	100	92	89	85	80	74	68	91
402 TCNHBLE 29	500	0.500	88	83	77	76	79	68	61	56	81
	675	0.500	90	95	86	83	80	76	68	63	86
		1.000	89	94	84	82	80	75	68	63	85
		0.500	92	100	92	89	85	80	74	68	92
402 TCNHBLE 30	500	0.500	88	83	77	76	79	68	61	57	81
	675	0.500	90	95	86	83	80	76	69	63	86
		1.000	89	94	84	82	80	75	68	63	85
		0.500	92	100	93	89	85	81	74	68	92
402 TCNHBLE 31	550	0.500	90	88	80	78	79	71	64	58	82
	700	0.500	91	97	87	84	81	76	69	63	87
		1.000	90	96	85	83	80	76	69	63	86
		0.500	92	101	93	89	86	81	75	68	92
402 TCNHBLE 32	550	0.500	90	88	81	78	79	71	64	58	82
	700	0.500	91	97	87	84	81	76	70	63	88
		1.000	90	96	86	83	80	76	69	63	86
		0.500	92	101	93	90	86	81	75	69	93
402 TCNHBLE 33	550	0.500	90	88	81	79	79	71	64	58	82
	700	0.500	91	97	87	85	82	77	70	63	88
		1.000	90	96	86	83	81	76	69	63	87
		0.500	92	101	93	90	86	81	75	69	93
402 TCNHBLE 34	550	0.500	90	89	81	79	79	71	63	58	83
	700	0.500	91	98	88	85	82	77	70	63	88
		1.000	90	97	86	83	81	76	69	63	87
		0.500	93	101	94	90	87	82	75	69	93
402 TCNHBLE 35	600	0.500	91	92	84	81	80	74	66	59	85
	725	0.500	91	99	89	86	83	78	71	64	89
		1.000	90	98	87	85	82	77	70	64	88
		0.500	93	102	94	90	87	82	75	69	93
402 TCNHBLE 36	600	0.500	91	93	84	81	80	74	66	59	85
	725	0.500	91	99	89	86	83	78	71	64	89
		1.000	90	98	87	85	82	77	70	64	88
		2.000	90	99	91	87	84	80	73	68	90
402 TCNHBLE 37	650	0.500	92	96	87	84	81	76	68	61	87
	750	0.500	90	94	85	82	80	75	67	61	85
		1.000	92	101	90	87	84	79	72	65	91
		0.500	93	102	94	91	88	83	76	69	94
402 TCNHBLE 38	650	0.500	92	96	87	84	82	76	68	61	87
	750	0.500	92	101	90	88	84	79	72	65	91
		1.000	91	100	89	87	83	78	71	65	90
		0.500	93	102	95	91	88	83	76	69	94
402 TCNHBLE 39	650	0.500	92	96	87	84	82	76	68	61	87
	750	0.500	92	101	90	88	85	79	72	65	91
		1.000	91	100	89	87	83	78	71	65	90
		0.500	94	103	95	91	88	83	76	69	94
402 TCNHBLE 40	650	0.500	93	97	87	84	82	76	68	61	88
	750	0.500	92	101	90	88	85	80	72	65	91
		1.000	91	100	89	87	84	78	71	65	90
		0.500	94	103	95	91	89	83	76	69	94

402 TCNHBLE Continued

SIZE	RPM	SP	SOUND POWER re 10 ⁻¹² WATTS								
			OCTAVE BANDS								L _{WfA}
			1	2	3	4	5	6	7	8	
402 TCNHBLE 35	600	0.500	91	92	84	81	80	74	66	59	85
	725	0.500	91	99	89	86	83	78	71	64	89
		1.000	90	98	87	85	82	77	70	64	88
		0.500	93	102	94	90	87	82	75	69	93
402 TCNHBLE 36	600	0.500	91	93	84	81	80	74	66	59	85
	725	0.500	91	99	89	86	83	78	71	64	89
		1.000	90	98	87	85	82	77	70	64	88
		0.500	93	102	94	90	87	82	75	69	93
402 TCNHBLE 37	650	0.500	92	96	87	84	81	76	68	61	87
	750	0.500	90	94	85	82	80	75	67	61	85
		1.000	92	101	90	87	84	79	72	65	91
		0.500	93	102	94	91	88	83	76	69	94
402 TCNHBLE 38	650	0.500	92	96	87	84	82	76	68	61	87
	750	0.500	92	101	90	88	84	79	72	65	91
		1.000	91	100	89	87	83	78	71	65	90
		0.500	93	102	95	91	88	83	76	69	94
402 TCNHBLE 39	650	0.500	92	96	87	84	82	76	68	61	87
	750	0.500	92	101	90	88	85	79	72	65	91
		1.000	91	100	89	87	83	78	71	65	90
		0.500	94	103	95	91	88	83	76	69	94
402 TCNHBLE 40	650	0.500	93	97	87	84	82	76	68	61	88
	750	0.500	92	101	90	88	85	80	72	65	91
		1.000	91	100	89	87	84	78	71	65	90
		0.500	94	103	95	91	89	83	76	69	94

445 TCNHBLE

SIZE	RPM	SP	SOUND POWER re 10 ⁻¹² WATTS								
			OCTAVE BANDS								L _{WfA}
			1	2	3	4	5	6	7	8	
445 TCNHBLE 24	450	0.500	87	81	78	80	78	67	58	53	81
	625	0.500	93	93	85	84	83	76	68	62	87
		1.000	93	93	86	85	83	76	68	62	87
		0.500	97	99	91	88	84	80	74	69	91
445 TCNHBLE 25	450	0.500	88	81	78	79	78	67	59	53	81
	625	0.500	93	93	86	84	83	76	68	62	87
		1.000	93	93	86	84	83	76	69	63	87
		0.500	96	100	91	89	85	80	74	69	91
445 TCNHBLE 26	450	0.500	88	82	78	79	78	67	59	54	81
	625	0.500	93	94	86	84	83	76	69	63	87
		1.000	93	93	86	84	83	77	69	63	87
		0.500	96	100	91	89	85	80	74	69	91
445 TCNHBLE 27	450	0.500	88	82	78	79	78	67	60	54	81
	625	0.500	93	94	86	84	83	77	69	63	87
		1.000	93	94	86	84	83	77	69	63	87
		0.500	96	101	92	89	85	81	75	69	92
445 TCNHBLE 28	450	0.500	89	83	78	79	78	68	60	55	81
	625	0.500	93	95	86	84	83	77	69	63	87
		1.000	93	94	86	84	83	77	69	63	87
		0.500	96	101	92	89	86	81	75	69	92
445 TCNHBLE 29	450	0.500	89	83	78	79	78	68	60	55	81
	625	0.500	93	95	86	84	83	77	69	63	87
		1.000	93	94	86	84	83	77	69	63	87
		0.500	95	100	91	89	85	81	75	69	91

The sound power level ratings shown are in decibels referred to 10⁻¹² watts calculated per AMCA Standard 301. The A-weighted sound ratings shown have been calculated per AMCA Standard 301. Values shown are for inlet L_{Wf} and inlet L_{WfA} sound power levels for installation Type A: Free inlet, Free outlet. Ratings do not include the effects of duct end correction.

445 TCNHBLE Continued

SIZE	RPM	SP	SOUND POWER re 10 ⁻¹² WATTS								
			OCTAVE BANDS								
			1	2	3	4	5	6	7	8	L _{wi} A
445 TCNHBLE 30	450	0.500	89	84	78	78	79	68	61	56	81
	625	0.500	94	95	87	84	83	77	69	64	88
		1.000	93	95	86	84	82	77	69	64	87
	800	0.500	95	102	93	90	86	81	75	69	93
2.000		94	100	91	88	85	81	75	69	91	
445 TCNHBLE 31	450	0.500	90	84	78	78	79	68	61	56	81
	625	0.500	94	96	87	84	83	77	70	64	88
		1.000	93	95	86	84	82	77	70	64	87
	800	0.500	95	103	93	90	86	81	75	69	93
2.000		93	101	91	88	85	81	75	69	91	
445 TCNHBLE 32	450	0.500	90	83	78	78	79	68	61	56	81
	625	0.500	94	96	87	84	83	77	70	64	88
		1.000	93	95	86	83	82	77	70	64	87
	800	0.500	95	103	93	90	87	82	75	69	93
2.000		93	101	91	88	85	81	75	69	91	
445 TCNHBLE 33	450	0.500	90	83	77	77	79	68	61	57	81
	625	0.500	94	96	87	84	83	77	70	64	88
		1.000	93	95	86	83	82	77	69	64	87
	800	0.500	94	104	93	91	87	82	75	69	94
2.000		92	101	90	88	85	80	75	69	91	
445 TCNHBLE 34	500	0.500	92	87	80	79	82	71	64	59	84
	650	0.500	94	98	88	85	83	78	71	65	89
		1.000	93	97	87	84	83	78	70	65	88
	800	0.500	94	104	94	91	87	82	76	70	94
2.000		92	101	91	88	85	81	75	69	91	
445 TCNHBLE 35	500	0.500	92	88	81	79	82	71	64	59	84
	650	0.500	94	98	89	86	84	78	71	65	89
		1.000	93	97	87	85	83	78	70	65	88
	800	0.500	95	104	94	91	87	82	76	70	94
2.000		92	102	91	88	85	81	75	69	92	
445 TCNHBLE 36	500	0.500	93	88	81	79	82	71	64	59	84
	650	0.500	95	98	89	86	84	78	71	65	89
		1.000	93	97	88	85	83	78	71	65	88
	800	0.500	95	104	94	91	88	83	76	70	94
2.000		93	102	91	88	85	81	75	69	92	
445 TCNHBLE 37	500	0.500	93	88	81	80	82	71	64	58	84
	650	0.500	95	99	89	86	84	78	71	65	89
		1.000	94	97	88	85	83	78	71	65	88
	800	0.500	95	104	94	91	88	83	76	70	94
2.000		93	102	91	89	85	81	75	69	92	
445 TCNHBLE 38	500	0.500	93	88	81	80	82	72	64	58	84
	650	0.500	95	99	89	86	84	79	71	65	90
		1.000	94	98	88	85	83	78	71	65	89
	800	0.500	95	104	94	92	88	83	76	70	95
2.000		93	102	92	89	86	81	75	69	92	
445 TCNHBLE 39	500	0.500	93	89	82	80	82	72	64	58	84
	650	0.500	95	99	90	86	84	79	71	65	90
		1.000	94	98	88	85	83	78	71	65	89
	800	0.500	96	105	95	92	88	83	76	70	95
2.000		93	103	92	89	86	81	75	70	92	
445 TCNHBLE 40	550	0.500	95	93	85	82	83	74	67	60	86
	675	0.500	96	101	91	88	85	80	72	66	91
		1.000	94	100	89	87	84	79	72	66	90
	800	0.500	96	105	95	92	89	84	77	70	95
1.000		95	105	94	92	88	83	76	70	95	
445 TCNHBLE 42	550	0.500	95	93	85	83	83	75	67	60	86
	675	0.500	96	101	91	88	85	80	72	66	91
		1.000	95	100	90	87	84	79	72	66	90
	800	0.500	96	105	95	92	89	84	77	71	95
1.000		96	105	95	92	89	83	77	71	95	
445 TCNHBLE 44	600	0.500	96	97	89	85	84	77	69	62	89
	700	0.500	96	103	92	89	87	81	73	67	93
		1.000	95	102	91	88	86	80	73	67	92
	800	0.500	97	106	96	93	90	85	77	71	96
1.000		96	106	95	93	89	84	77	71	96	
445 TCNHBLE 46	650	0.500	97	101	91	88	85	80	72	65	91
	725	0.500	97	104	93	91	88	82	75	68	94
		1.000	96	104	92	90	87	81	74	68	93
	800	0.500	97	106	96	93	90	85	77	71	96
1.000		97	106	96	93	90	84	77	71	96	

490 TCNHBLE

SIZE	RPM	SP	SOUND POWER re 10 ⁻¹² WATTS								
			OCTAVE BANDS								
			1	2	3	4	5	6	7	8	L _{wi} A
490 TCNHBLE 26	400	0.500	89	81	79	80	76	66	58	52	81
	575	0.500	95	93	86	86	85	77	69	63	89
		1.000	95	93	87	87	85	77	69	63	89
	750	0.500	99	101	92	90	86	82	75	70	92
2.000		100	102	93	90	87	82	76	71	93	
490 TCNHBLE 27	400	0.500	89	81	79	80	76	66	58	52	81
	575	0.500	95	93	87	86	85	77	69	63	89
		1.000	95	93	87	86	85	77	69	63	89
	750	0.500	98	101	92	90	86	82	75	70	93
2.000		99	102	93	90	87	82	76	71	93	
490 TCNHBLE 28	400	0.500	89	81	79	80	77	66	59	53	81
	575	0.500	95	93	87	86	85	77	69	63	89
		1.000	95	94	87	86	85	78	69	63	89
	750	0.500	98	102	92	90	87	82	76	70	93
2.000		99	102	93	91	87	83	76	70	93	
490 TCNHBLE 29	400	0.500	90	82	79	80	77	66	59	53	81
	575	0.500	95	94	87	86	85	78	69	63	89
		1.000	95	94	87	86	85	78	70	64	89
	750	0.500	98	102	93	91	87	82	76	70	93
2.000		99	102	93	91	87	82	76	71	93	
490 TCNHBLE 30	400	0.500	90	82	79	80	77	66	59	54	81
	575	0.500	96	94	87	86	85	78	70	64	89
		1.000	95	94	87	86	85	78	70	64	89
	750	0.500	98	103	93	91	87	82	76	70	93
2.000		98	102	93	90	87	82	76	71	93	
490 TCNHBLE 31	400	0.500	90	82	79	79	77	67	60	54	81
	575	0.500	96	95	87	86	85	78	70	64	89
		1.000	96	95	87	86	85	78	70	64	89
	750	0.500	98	103	93	91	87	82	76	70	94
2.000		98	103	93	91	87	82	76	71	93	
490 TCNHBLE 32	400	0.500	91	83	79	79	77	67	60	55	81
	575	0.500	96	95	88	86	85	78	70	64	89
		1.000	96	95	87	86	85	78	70	65	89
	750	0.500	98	104	93	91	87	83	76	70	94
2.000		97	103	92	90	87	82	76	71	93	
490 TCNHBLE 33	400	0.500	91	83	79	79	77	67	60	55	81
	575	0.500	96	95	88	86	85	78	70	65	89
		1.000	96	95	87	86	85	78	70	65	89
	750	0.500	98	104	94	91	88	83	76	70	94
2.000		97	103	92	90	87	82	76	71	93	
490 TCNHBLE 34	400	0.500	91	83	79	79	77	67	61	56	81
	575	0.500	96	96	88	86	85	78	71	65	89
		1.000	96	95	87	85	85	78	71	65	89
	750	0.500	98	105	94	92	88	83	76	71	95
2.000		96	103	92	90	86	82	76	71	93	
490 TCNHBLE 35	400	0.500	91	82	78	78	77	67	61	56	81
	575	0.500	97	96	88	86	85	78	71	65	89
		1.000	96	95	87	85	85	78	71	65	89
	750	0.500	97	105	94	92	88	83	77	71	95
2.000		96	103	92	90	86	82	76	71	93	
490 TCNHBLE 36	400	0.500	91	82	78	78	77	67	61	56	81
	575	0.500	97	96	88	85	85	78	71	65	89
		1.000	96	95	87	85	85	78	71	65	89
	750	0.500	97	106	94	92	88	83	77	71	95
2.000		96	104	92	90	86	82	76	71	93	
490 TCNHBLE 37	450	0.500	94	87	81	80	82	71	64	59	84
	600	0.500	98	98	89	87	86	80	72	66	90
		1.000	97	97	88	86	85	79	72	66	90
	750	0.500	97	106	94	92	88	83	77	71	95
2.000		95	104	92	90	86	82	76	71	93	

The sound power level ratings shown are in decibels referred to 10⁻¹² watts calculated per AMCA Standard 301. The A-weighted sound ratings shown have been calculated per AMCA Standard 301. Values shown are for inlet L_{wi} and inlet L_{wi}A sound power levels for installation Type A: Free inlet, Free outlet. Ratings do not include the effects of duct end correction.

TCNHBLE Sound Data

490 TCNHBLE Continued

SIZE	RPM	SP	SOUND POWER re 10 ⁻¹² WATTS								
			OCTAVE BANDS								L _{WfA}
			1	2	3	4	5	6	7	8	
490 TCNHBLE 38	450	0.500	94	87	81	80	82	71	64	59	84
	600	0.500	98	98	90	87	86	80	72	66	90
		1.000	97	97	88	86	85	79	72	66	90
	750	0.500	97	106	95	92	89	84	77	71	95
2.000		95	104	92	90	87	82	76	71	93	
490 TCNHBLE 39	450	0.500	95	87	81	81	82	71	64	59	84
	600	0.500	98	99	90	87	86	80	72	66	91
		1.000	97	97	89	86	85	79	72	66	90
	750	0.500	98	106	95	93	89	84	77	71	96
2.000		95	104	92	90	87	82	76	71	94	
490 TCNHBLE 40	450	0.500	95	87	81	81	82	71	64	59	84
	600	0.500	98	99	90	87	86	80	72	66	91
		1.000	97	98	89	86	85	79	72	66	90
	750	0.500	98	106	95	93	89	84	77	71	96
2.000		96	105	92	90	87	83	76	71	94	
490 TCNHBLE 42	450	0.500	95	88	82	81	82	71	64	58	84
	600	0.500	99	99	90	87	86	80	72	66	91
		1.000	97	98	89	86	86	79	71	66	90
	750	0.500	98	107	95	93	90	85	77	71	96
2.000		96	105	93	91	87	83	76	71	94	
490 TCNHBLE 44	500	0.500	98	92	85	83	85	75	67	61	88
	600	0.500	99	100	91	88	86	80	72	65	91
		1.000	98	99	90	87	86	79	71	65	90
	700	0.500	99	105	94	92	89	84	76	69	95
2.000		96	103	91	89	86	82	74	69	92	
490 TCNHBLE 46	500	0.500	98	93	86	83	85	75	66	60	88
	600	0.500	99	100	91	88	87	80	72	65	92
		1.000	98	99	90	87	86	79	71	65	91
	700	0.500	99	105	95	92	89	84	76	70	95
2.000		96	103	92	89	87	82	74	69	93	
490 TCNHBLE 48	550	0.500	99	97	89	86	86	78	69	62	90
	625	0.500	100	102	93	89	87	81	73	66	93
		1.000	99	101	92	88	87	81	72	66	92
	700	0.500	100	106	95	92	90	84	76	70	96
1.000		99	106	95	92	89	83	76	69	95	
2.000	97	103	92	90	87	82	74	69	93		
	490 TCNHBLE 50	600	0.500	100	101	92	89	87	80	72	65
1.000			99	100	91	88	86	80	71	65	91
675		0.500	100	105	95	92	89	84	75	68	95
		1.000	99	105	94	91	89	83	75	68	95
750	0.500	100	108	97	94	92	86	78	72	98	
	1.000	99	109	97	94	91	85	77	71	98	
2.000	97	107	95	92	89	84	76	71	96		

The sound power level ratings shown are in decibels referred to 10⁻¹² watts calculated per AMCA Standard 301. The A-weighted sound ratings shown have been calculated per AMCA Standard 301. Values shown are for inlet L_{WfI} and inlet L_{WfA} sound power levels for installation Type A: Free inlet, Free outlet. Ratings do not include the effects of duct end correction.



LOREN COOK COMPANY

2015 E. DALE STREET
SPRINGFIELD, MO 65803-4637
417.869.6474
FAX 417.862.3820
lorencook.com