

COOK

CPL

Centrifugal Plenum Fans

INSTALLATION, OPERATION, AND MAINTENANCE MANUAL

This publication contains the installation, operation and maintenance instructions for standard units of the CPL Centrifugal Plenum Fans.



Carefully read this publication and any supplemental documents prior to any installation or maintenance procedure.

Loren Cook catalog *CPL* provides additional information describing the equipment, fan performance, available accessories, and specification data.

For additional safety information, refer to AMCA publication 410-96, *Safety Practices for Users and Installers of Industrial and Commercial Fans*.

All of the publications listed above can be obtained from Loren Cook Company by phoning 417/869-6474, extension 166; by FAX at 417/832-9431; or by e-mail at info@loren-cook.com.

For information on special equipment, contact Loren Cook Company Customer Service Department at 417/869-6474.

! WARNING

Rotating Parts & Electrical Shock Hazard:

Disconnect electric power before working on unit.

Follow proper lockout / tagout procedures to ensure the unit cannot be energized while being installed or serviced.

A disconnect switch should be placed near the fan in order that the power can be swiftly cut off, in case of an emergency and in order that maintenance personnel are provided complete control of the power source.

Grounding is required. All field-installed wiring must be completed by qualified personnel. All field-installed wiring must comply with National Electric Code (NFPA 70) and all applicable local codes.

Failure to follow these instructions could result in death or serious injury.

Receiving and Inspection

Carefully inspect the fan and accessories for any damage and shortage immediately upon receipt of the fan.

- Turn the wheel by hand to ensure it turns freely and does not bind.
- Inspect dampers (if supplied) for free operation of all moving parts.
- Record on the *Delivery Receipt* any visible sign of damage.

Handling

Lift the fan by the base or lifting eyes on the housing.
NOTICE! Never lift by the shaft, wheel, or motor.

Storage

If the fan is stored for any length of time prior to installation, completely fill the bearings with grease or moisture-inhibiting oil (refer to *Lubricants* on page 5). Rotate the wheel several revolutions every three to five days to keep a coating of grease on all internal bearing parts.

Store the fan in its original crate and protect it from dust, debris and the weather.

Outdoor Storage

To maintain good working condition of the fan when it is stored outdoors, follow the additional instructions below.

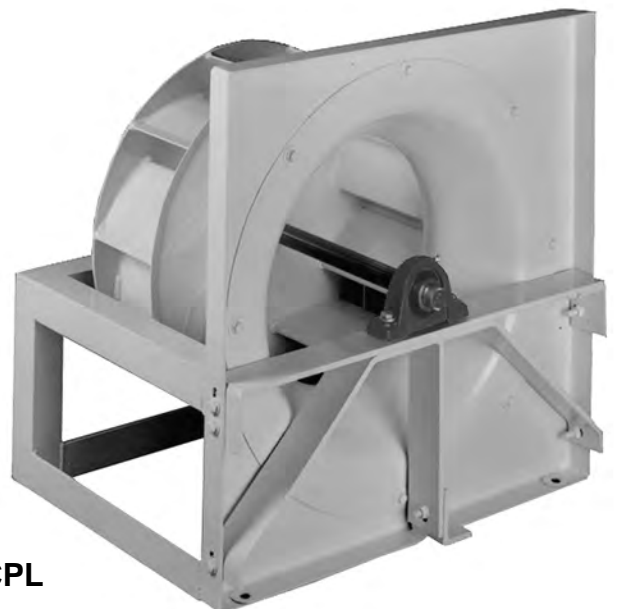
- Coat the shaft with grease or a rust preventative compound.
- Wrap bearings for weather protection.
- Cover the entire fan to prevent the accumulation of dirt and moisture in the fan.
- Periodically rotate the wheel and operate the dampers (if supplied).
- Periodically inspect the fan to prevent damaging conditions.

Installation

Most motors are shipped mounted on the fans with belts and drives installed. However, extremely heavy motors and drives are shipped separately and some motors are shipped separately due to height limitations. These motors and drives will require field installation. Please refer to page 4.

Foundation

This fan requires a strong, level foundation of reinforced poured concrete. A correctly designed concrete foundation provides the best means for mounting floor units. The foundation's size is determined by fan size and arrangement, motor size and position, and the specific location of the installation.



CPL

Use the following guidelines to calculate foundation size:

- The overall dimensions of the foundation should extend at least 6 inches beyond the outline of the fan and its motor.
- The weight of the foundation should be 2 to 3 times the weight of the fan and its motor.

Isolation

Isolation Base

If supplied, mount the fan on the rigid isolation base that runs the entire length of the fan base angle.

When the motor is not an integral part of the unit, mount the fan and its motor to a common rigid base running the full length of the fan and motor.

NOTICE! Although a certain amount of vibration is inherent in operating centrifugal fans, extreme vibration is a serious problem that may cause structural and mechanical failure.

The base must have sufficient rigidity to resist belt pull and prevent drive distortion which can lead to excessive belt and bearing wear. Isolators should be located between this rigid base and the floor.

Isolators

Floor Mounted Spring Isolators

- Mount fan and motor on an isolation base (if supplied).
- Elevate fan (or isolation base) to operating height and insert blocks to hold in position.
- Position isolators under the fan and/or isolation base and vertically align by inserting leveling bolt through mounting holes in the fan or the base. The isolator must be installed on a level surface.
- Adjust the isolators by turning the leveling nut counter clockwise several turns at a time alternately on each isolator until the fan weight is transferred onto the isolators and the fan raises uniformly off the blocks. Then remove the blocks.
- Turn lock nut onto leveling bolt and secure firmly in place against the top of the mounting flange or frame.
- Secure isolators to mounting surface.

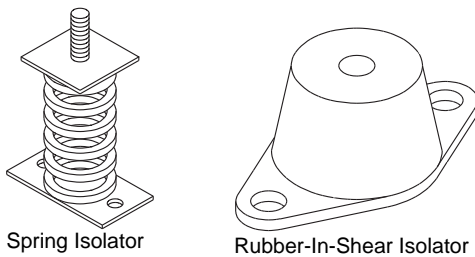


Figure 1 - Floor Mount Isolators

Floor Mounted Rubber-In-Shear (RIS) Isolators

- Mount fan and motor on an isolation base (if supplied).
- Elevate fan to provide room to insert isolators between base and foundation or between the fan and foundation and block in position.
- Position isolators under isolation base or fan and secure bolts.
- Remove blocks and allow unit to rest on floor. Isolators must be installed on a level surface (leveling should not be required).
- Secure isolators to mounting surface.

Duct Installation

Efficient fan performance relies on proper installation.

If the fan has an open inlet (no duct work), be sure it is placed one fan wheel diameter away from walls and bulkheads. Refer to *figure 2*.

Refer to the CPL catalog for discharge wall proximity factors.

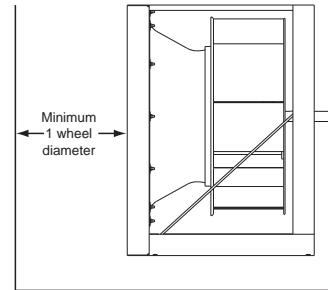


Figure 2 - Non-ducted Inlet Clearance

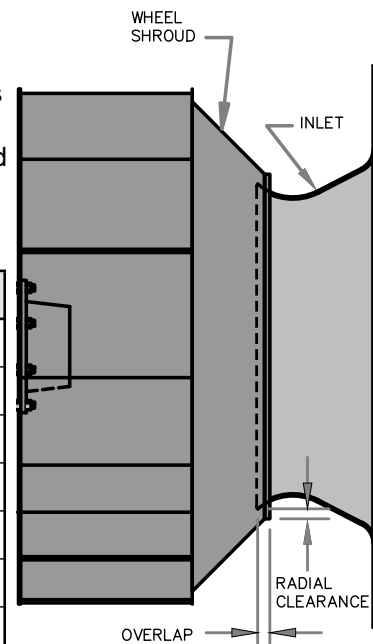
Wheel-to-Inlet Clearance

The correct wheel-to-inlet clearance is critical to proper fan performance. This clearance should be verified before initial start-up since rough handling during shipment could cause a shift in fan components. Refer to wheel/inlet drawing for correct overlap.

Adjust the overlap by loosening the wheel hub and moving the wheel along the shaft to obtain the correct value.

A uniform radial gap (space between the edge of the cone and the edge of the inlet) is obtained by loosening the inlet cone bolts and repositioning the inlet cone.

Size	Overlap
60 - 165	3/16"
180 - 245	1/4"
270 - 300	5/16"
330 - 365	3/8"
402	7/16"
445 - 490	1/2"
540	13/16"



Wiring Installation

All wiring should be in accordance with local ordinances and the National Electrical Code, NFPA 70. Ensure the power supply (voltage, frequency, and current carrying capacity of wires) is in accordance with the motor nameplate.

Leave enough slack in the wiring to allow for motor movement when adjusting belt tension. Some fractional motors have to be removed in order to make the

connection with the terminal box at the end of the motor. To remove motor, remove bolts securing motor base to power assembly. Do not remove motor mounting bolts.

Use of Variable Frequency Drives

Motors -

Motors that are to be operated using a Variable Frequency Drive (VFD) must be VFD compatible. At a minimum, this must be a Premium Efficiency motor with Class F insulation. Motors that are not supplied by Loren Cook Company should have the recommendation of the motor manufacturer for use with a VFD.

Grounding -

The fan frame, motor and VFD must be connected to a common earth ground to prevent transient voltages from damaging rotating elements.

Wiring -

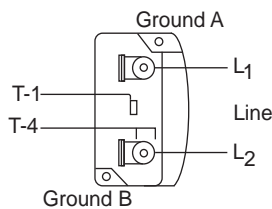
Line reactors may be required to reduce over-voltage spikes in the motors. The motor manufacturer should be consulted for recommended line impedance and usage of line reactors or filters, if the lead length between the VFD and the motor exceeds 10 feet (3m).

Fan -

It is the responsibility of the installing body to perform coast-down tests and identify any resonant frequencies after the equipment is fully installed. These resonant frequencies are to be removed from the operating range of the fan by using the "skip frequency" function in the VFD programming. Failure to remove resonant frequencies from the operating range will decrease the operating life of the fan and void the warranty.

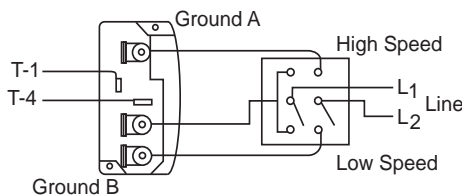
Wiring Diagrams

Single Speed, Single Phase Motor



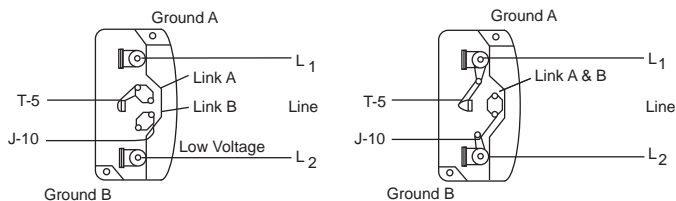
When ground is required, attach to ground A or B with no. 6 thread forming screw. To reverse, interchange T-1 and T-4.

2 Speed, 2 Winding, Single Phase Motor



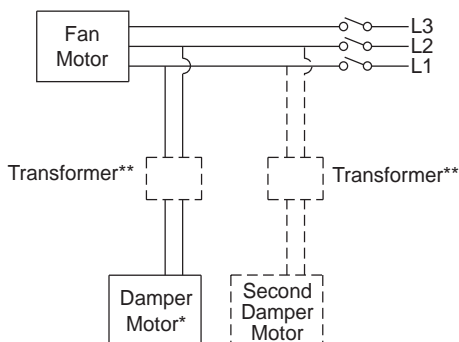
When ground required, attach to ground A or B with No. 6 thread forming screw. To reverse, interchange T-1 and T-4 leads.

Single Speed, Single Phase, Dual Voltage



When ground required, attach to ground A or B with No. 6 thread forming screw. To reverse, interchange T-5 and J-10 leads.

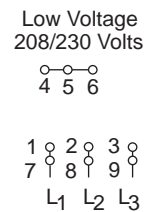
Typical Damper Motor Schematic



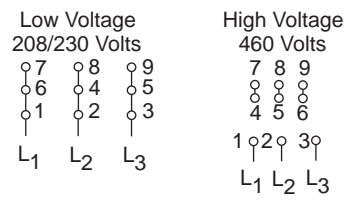
For 3 phase, damper motor voltage should be the same between L₁ and L₂. For single phase application, disregard L₃. *Damper motors may be available in 115, 230 and 460 volt models. The damper motor nameplate voltage should be verified prior to connection. **A transformer may be provided in some installations to correct the damper motor voltage to the specified voltage.

Wiring Diagrams

3 Phase, 9 Lead Motor Y-Connection

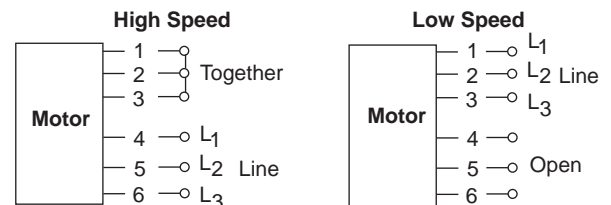


3 Phase, 9 Lead Motor Delta-Connection



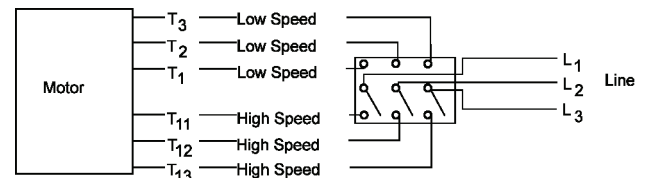
To reverse, interchange any 2 line leads.

2 Speed, 1 Winding, 3 Phase Motor



To reverse, interchange any 2 line leads. Motors require magnetic control.

2 Speed, 2 Winding, 3 Phase



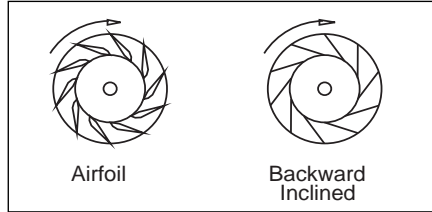
To reverse: High Speed-interchange leads T₁₁ and T₁₂. Low Speed-interchange leads T₁ and T₂. Both Speeds-interchange any 2 line leads.



Follow the wiring diagram in the disconnect switch and the wiring diagram provided with the motor. Correctly label the circuit on the main power box and always identify a closed switch to promote safety (i.e., red tape over a closed switch).

Wheel Rotation

Test the fan to ensure the rotation of the wheel is the same as indicated by the arrow marked Rotation.



Proper Wheel Rotation

115 and 230 Single Phase Motors

Fan wheel rotation is set correctly at the factory. Changing the rotation of this type of motor should only be attempted by a qualified electrician.

208, 230, and 460, 3 Phase Motors

These motors are electrically reversible by switching two of the supply leads. For this reason, the rotation of the fan cannot be restricted to one direction at the factory. See Wiring Diagrams on page 3 for specific information on reversing wheel direction.

NOTICE! Do not allow the fan to run in the wrong direction. This will overheat the motor and cause serious damage. For 3-phase motors, if the fan is running in the wrong direction, check the control switch. It is possible to interchange two leads at this location so that the fan is operating in the correct direction.

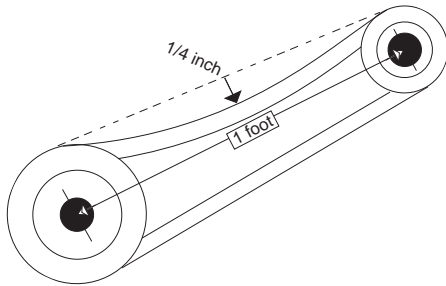


Figure 3

Belt and Pulley Installation

Belt tension is determined by the sound the belts make when the fan is first started. Belts will produce a loud squeal which dissipates after the fan is operating at full capacity. If the belt tension is too tight or too loose, lost efficiency and possible damage can occur. Do not change the pulley pitch diameter to change tension. This will result in a different fan speed than desired.

- Loosen motor plate adjustment bolts and move motor plate in order that the belts can easily slip into the grooves on the pulleys. Never pry, roll, or force the belts over the rim of the pulley.
- Slide the motor plate back until proper tension is reached. For proper tension a deflection of approximately 1/4" per foot of center distance should be obtained by firmly pressing the belt. Refer to figure 3.

- Lock the motor plate adjustment bolts in place
- Ensure pulleys are properly aligned. Refer to Figure 4

Tolerance

Center Distance	Maximum Gap
Up thru 12"	1/16"
12" up through 48"	1/8"
Over 48"	1/4"

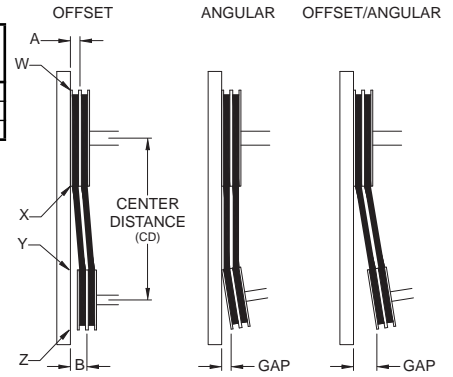


Figure 4

Pulley Alignment

Pulley alignment is adjusted by loosening the motor pulley setscrew and by moving the motor pulley on the motor shaft.

Figure 4 indicates where to measure the allowable gap for the drive alignment tolerance. All contact points (indicated by WXYZ) are to have a gap less than the tolerance shown in the table. When the pulleys are not the same width, the allowable gap must be adjusted by half of the difference in width (As shown in A & B of Figure 4). Figure 5 illustrates using a carpenter's square to adjust the position of the motor pulley until the belt is parallel to the longer leg of the square.

Final Installation Steps

- Inspect fasteners and setscrews, particularly fan mounting and bearing fasteners, and tighten according to the recommended torque shown in the table *Recommended Torque for Setscrews/Bolts*.
- Inspect for correct voltage with voltmeter.
- Ensure all accessories are installed.

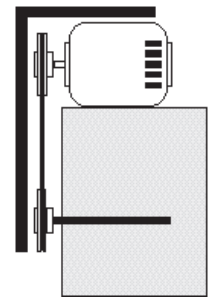


Figure 5

Operation

Pre-Start Checks

- Lock out all the primary and secondary power sources.
- Ensure fasteners and setscrews, particularly those used for mounting the fan, are tightened.
- Inspect belt tension and pulley alignment.
- Inspect motor wiring.
- Ensure belt touches only the pulleys.
- Ensure fan and ductwork are clean and free of debris.
- Inspect wheel-to-inlet clearance. The correct wheel-to-inlet clearance is critical to proper fan performance.
- Close and secure all access doors.
- Restore power to the fan.

Start Up

Turn the fan on. In variable speed units, set the fan to its lowest speed and inspect for the following:

- Direction of rotation.
- Excessive vibration.
- Unusual noise.
- Bearing noise.
- Improper belt alignment or tension (listen for squealing).
- Improper motor amperage or voltage.

NOTICE! If a problem is discovered, immediately shut the fan off. Lock out all electrical power and check for the cause of the trouble. See Troubleshooting.

Recommended Torque for Setscrews/Bolts (IN/LB.)

Setscrews				Hold Down Bolts	
Size	Key Hex Across Flats	Recommended Torque		Size	Wrench Torque
		Min.	Max.		
No.10	3/32"	28	33	3/8"-16	240
1/4"	1/8"	66	80	1/2"-13	600
5/16"	5/32"	126	156	5/8"-11	1200
3/8"	3/16"	228	275	3/4"-10	2100
7/16"	7/32"	348	384	7/8"-9	2040
1/2"	1/4"	504	600	1"-8	3000
5/8"	5/16"	1104	1200	1-1/8" - 7	4200
3/4"	3/8"	1440	1800	1-1/4" - 7	6000

Inspection

Inspection of the fan should be conducted at the first **30 minute, 8 hour and 24 hour** intervals of satisfactory operation. During the inspections, stop the fan and inspect as per the Conditions Chart.

30 Minute Interval

Inspect bolts, setscrews, and motor mounting bolts. Adjust and tighten as necessary.

8 Hour Interval

Inspect belt alignment and tension. Adjust and tighten as necessary.

24 Hour Interval

Inspect belt tension, bolts, setscrews, and motor mounting bolts. Adjust and tighten as necessary.

Maintenance

Establish a schedule for inspecting all parts of the fan. The frequency of inspection depends on the operating conditions and location of the fan.

Inspect fans exhausting corrosive or contaminated air within the first month of operation. Fans exhausting contaminated air (airborne abrasives) should be inspected every three months.

Regular inspections are recommended for fans exhausting non-contaminated air.

It is recommended the following inspection be conducted twice per year.

- Inspect bolts and setscrews for tightness. Tighten as necessary. Worn setscrews should be replaced immediately.
- Inspect belt wear and alignment. Replace worn belts with new belts and adjust alignment as needed. Refer to Belt and Pulley Installation, page 4.

- Bearings should be inspected as recommended in the Conditions Chart.
- Inspect variable inlet vanes for freedom of operation and excessive wear. The vane position should agree with the position of the control arm. As the variable inlet vanes close, the entering air should spin in the same direction as the wheel.
- Inspect isolation base for freedom of movement.
- Inspect springs and rubber isolators for deterioration and replace as needed.
- Inspect for cleanliness. Clean exterior surfaces only. Removing dust and grease on motor housing assures proper motor cooling. Removing dirt from the wheel and housing prevent imbalance and damage.

Lubrication - Fan Bearings

Bearings are lubricated through a grease fitting on the exterior of the fan housing and should be lubricated by the schedule, Lubrication Conditions Chart.

For best results, lubricate the bearing while the fan is in operation. Pump grease in slowly until a slight bead forms around the bearing seals. Excessive grease can burst seals thus reducing bearing life.

Before lubricating, the grease nipple and immediate vicinity should be thoroughly cleaned without the use of high pressure equipment. The grease should be supplied slowly as the bearing rotates until fresh grease slips past the seal. Excessive pressure should be avoided to prevent seal damage.

Use no more than three injections with a hand-operated grease gun.

Fan Class	Fan Status	Shaft Size	Maximum Interval (operational hrs)
Centrifugal Blower Class I	Normal Conditions (Clean, Dry & Smooth)	> 1-1/2"	10,000
		< 1-1/2"	2,000
	Extreme Conditions (Dirty/Wet/Rough)	> 1-1/2"	2,000
		< 1-1/2"	400
Centrifugal Blower Class II	Normal Conditions (Clean, Dry & Smooth)	> 2"	7,500
		< 2"	1,000
	Extreme Conditions (Dirty/Wet/Rough)	> 2"	1,500
		< 2"	200
Centrifugal Blower Class III	Normal Conditions (Clean, Dry & Smooth)	> 2"	3,000
		< 2"	500
	Extreme Conditions (Dirty/Wet/Rough)	> 2"	500
		< 2"	100

Exceptions to the greasing interval chart:

- **Periodic Applications (any break of one week or more):** it is recommended that full lubrication be performed prior to each break in operation.
- **Higher Temperature:** it is recommended to halve the intervals for every 30°F increase in operating temperature above 120°F not to exceed 230°F for standard bearings; High Temperature bearings (optional) can operate up to 400°F.
- **Vertical Shaft:** it is recommended that the intervals should be halved.

Loren Cook Company uses petroleum lubricant in a lithium base. Other types of grease should not be used unless the bearings and lines have been flushed clean. If another type of grease is used, it should be a lithium-based grease conforming to NLGI grade 2 consistency.

A NLGI grade 2 grease is a light viscosity, low-torque, rust-inhibiting lubricant that is water resistant. Its temperature range is from -30°F to +200°F and capable of intermit-

Lubrication - Motor Bearings

Motors are provided with prelubricated bearings. Any lubrication instructions shown on the motor nameplate supersede instructions below.

Motor bearings without provisions for relubrication will operate up to 10 years under normal conditions with no maintenance. In severe applications, high temperatures or excessive contaminants, it is advisable to have the maintenance department disassemble and lubricate the bearings after 3 years of operation to prevent interruption of service.

For motors with provisions for relubrication, follow intervals of the following table.

Relubrication Intervals						
Service Conditions	NEMA Frame Size					
	Up to and including 184T		213T-365T		404T and larger	
	1800 RPM and less	Over 1800 RPM	1800 RPM and less	Over 1800 RPM	1800 RPM and less	Over 1800 RPM
Standard	3 yrs.	6 months	2 yrs.	6 months	1 yr.	3 months
Severe	1 yr.	3 months	1 yr.	3 months	6 months	1 months

Motors are provided with a polyurea mineral oil NGLI #2 grease. All additions to the motor bearings are to be with a compatible grease such as Exxon Mobil Polyrex EM and Chevron SRI.

The above intervals should be reduced to half for vertical shaft installations.

Motor Services

Should the motor prove defective within a one-year period, contact your local Loren Cook representative or your nearest authorized electric motor service representative.

Changing Shaft Speed

All belt driven fans with motors up to and including 5 HP (184T max.) are equipped with variable pitch pulleys. To change the fan speed, perform the following:

- Loosen setscrew on driver (motor) pulley and remove key, if equipped.
- Turn the pulley rim to open or close the groove facing. If the pulley has multiple grooves, all must be adjusted to the same width.
- After adjustment, inspect for proper belt tension.

Speed Reduction

Open the pulley in order that the belt rides deeper in the groove (smaller pitch diameter).

Speed Increase

Close the pulley in order that the belt rides higher in the groove (larger pitch diameter). Ensure that the RPM limits of the fan and the horsepower limits of the motor are maintained.

Pulley and Belt Replacement

- Remove pulleys from their respective shafts.
- Clean the motor and fan shafts.
- Clean bores of pulleys and coat the bores with heavy oil.
- Remove grease, rust, or burrs from the pulleys
- Remove burrs from shaft by sanding.
- Place fan pulley on fan shaft and motor pulley on its shaft. Damage to the pulleys can occur when exces-

Max Class Speeds of PLC

Size	CPL-A			CPL-F		
	Class I	Class II	Class III	Class I	Class II	Class III
120	3948	5151	6490	3692	4817	6069
135	3508	4577	5766	2953	3853	4854
150	2749	3587	4519	2656	3465	4366
165	2509	3273	4124	2414	3150	3968
180	2150	2805	3534	2389	3117	3927
195	1987	2592	3266	2204	2876	3623
210	1841	2402	3026	1786	2330	2936
225	1712	2234	2814	1659	2164	2727
245	1608	2098	2643	1532	1999	2518
270	1418	1850	2331	1391	1815	2286
300	1276	1665	2097	1251	1632	2056
330	1162	1516	1910	1141	1489	1876
365	1065	1389	1751	1022	1333	1680
402	964	1258	1585	936	1221	1539
445	873	1139	1435	846	1104	1391
490	793	1035	1303	770	1005	1266
540	719	938	1182	699	912	1149
600	648	845	1065	629	821	1034
660	587	766	965	572	746	940
730	532	694	874	517	675	850

sive force is used in placing the pulleys on their respective shafts.

g. Tighten in place.

h. Install belts on pulleys and align as described in the *Belt and Pulley Installation* section.

Bearing Replacement

The fan bearings are pillow block ball bearings. Bearings should be replaced individually for each side of fan.

An emery cloth or file may be needed to remove imperfections in the shaft left by the setscrews.

- Remove belts.
- If replacing drive side bearing, mark location of pulley and remove.
- Mark bearing location on bearing support and loosen bearing hold down bolts.
- Support the shaft to remove weight from bearing.
- Remove anti-corrosion coating from the shaft with a suitable degreaser.
- Remove the bearing from the shaft using a bearing puller. If a bearing puller is not available, tap on the bearing with a wood block and hammer to remove it.
- Smooth and clean the shaft and bearing bore thoroughly.
- Place the bearings into position making sure they are not on a worn section of the shaft. Tapping the inner ring face with a soft driver may be required.

Do not hammer on the housing.

- The outer ring of the bearing is spherical and swivels in the housing to compensate for misalignment. Secure hold-down bolts, but do not fully tighten.
- Align the setscrews on the bearings and tighten one setscrew on each bearing.
- Rotate the shaft to allow the bearing outer rings to find their center of free movement.
- Tighten hold-down bolts to proper torque as shown in the torque chart.
- Turn the shaft by hand. Resistance should be the same as it was before hold-down bolts were fully tightened.
- Tighten bearing setscrews to specified torque (see chart).
- Re-install the pulley and adjust the belt tension. Refer to Belts and Pulley Installation.

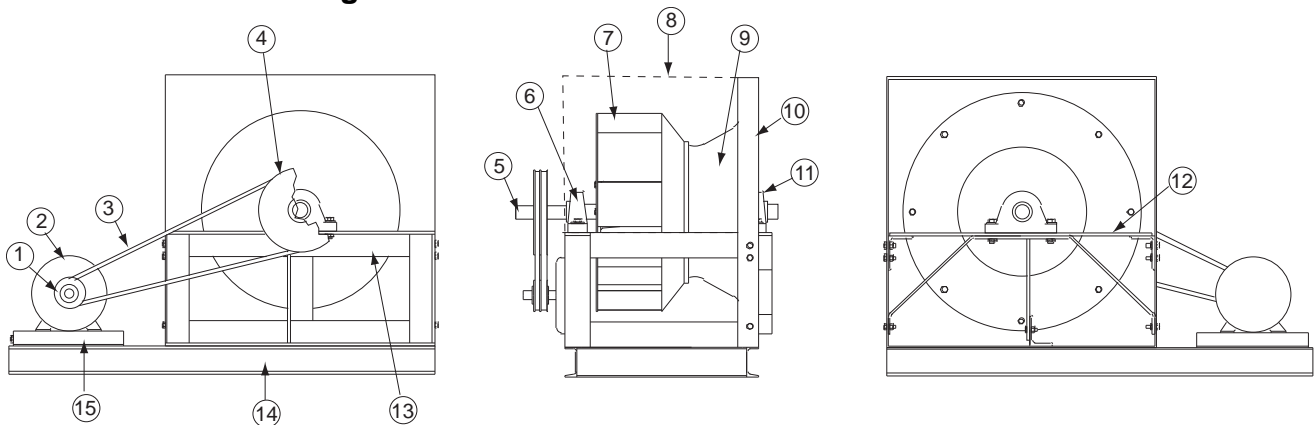
- p. Repeat the process for opposite bearing.
- q. Adjust the belt tension.
- r. Test run and retighten all setscrews and bolts. Trim balance as necessary (.0785 in/sec max.).

After 24 hours of operation, retighten the setscrews to the appropriate torque. This assures full locking of the inner race to the shaft. Make sure the socket key or driver is in good condition with no rounded corners. The key should be fully engaged in the setscrew and held squarely to prevent rounding out of the setscrew socket when applying maximum torque.

Troubleshooting

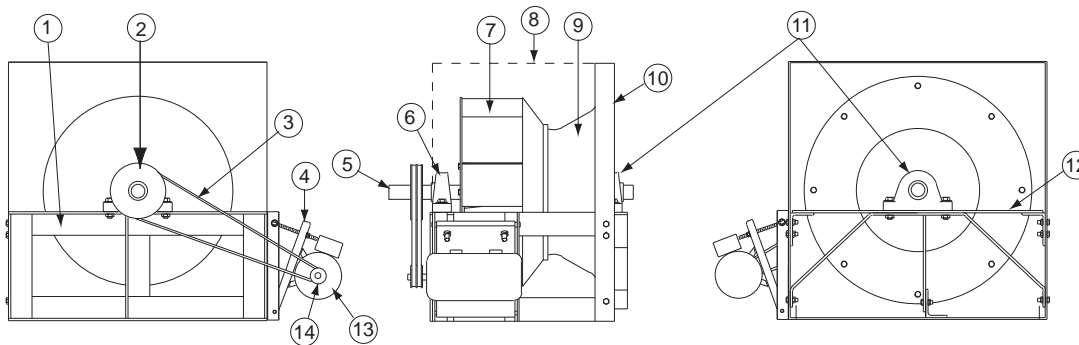
Problem and Potential Cause
<p>Low Capacity or Pressure</p> <ul style="list-style-type: none"> •Incorrect direction of rotation. Make sure the fan rotates in same direction as the arrows on the motor or belt drive assembly. •Poor fan inlet conditions. There should be a straight clear duct at the inlet. •Improper wheel alignment.
<p>Excessive Vibration and Noise</p> <ul style="list-style-type: none"> •Damaged or unbalanced wheel. •Belts too loose; worn or oily belts. •Speed too high. •Incorrect direction of rotation. Make sure the fan rotates in same direction as the arrows on the motor or belt drive assembly. •Bearings need lubrication or replacement. •Fan surge or incorrect inlet or outlet conditions.
<p>Overheated Motor</p> <ul style="list-style-type: none"> •Motor improperly wired. •Incorrect direction of rotation. Make sure the fan rotates in same direction as the arrows on the motor or belt drive assembly. •Cooling air diverted or blocked. •Improper inlet clearance. •Incorrect fan RPMs. •Incorrect voltage.
<p>Overheated Bearings</p> <ul style="list-style-type: none"> •Improper bearing lubrication •Excessive belt tension.

CPL Parts List - Arrangement 3



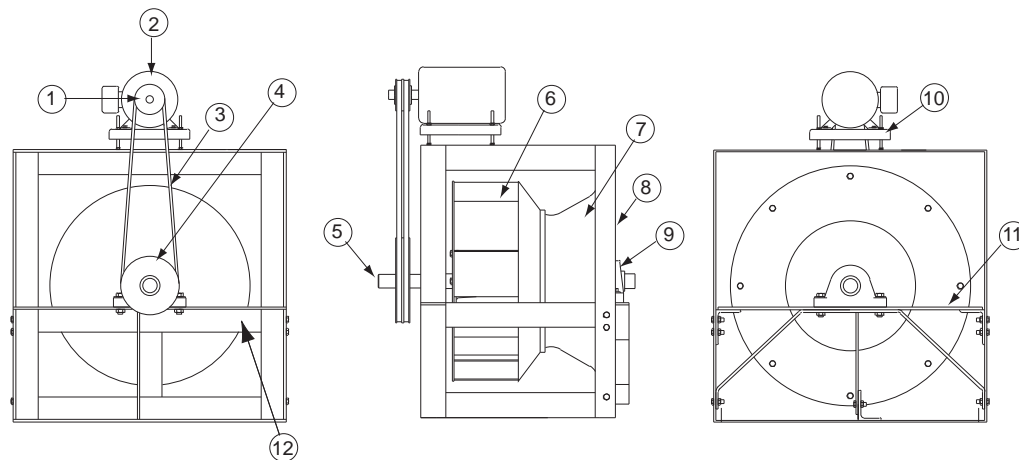
Part No.	Description
Sizes 120 - 730	
1	Motor Sheave
2	Motor
3	Belt Set
4	Fan Sheave
5	Shaft
6	Drive Side Bearing
7	Wheel
8	Safety Screen Enclosure (optional)
9	Inlet Cone
10	Inlet Panel
11	Inlet Side Bearing
12	Inlet Side Bearing Support
13	Drive Side Bearing Support
14	Isolation Base (Optional)
15	Motor Slide Base (Optional)

CPL Parts List (Arrangement 3S)



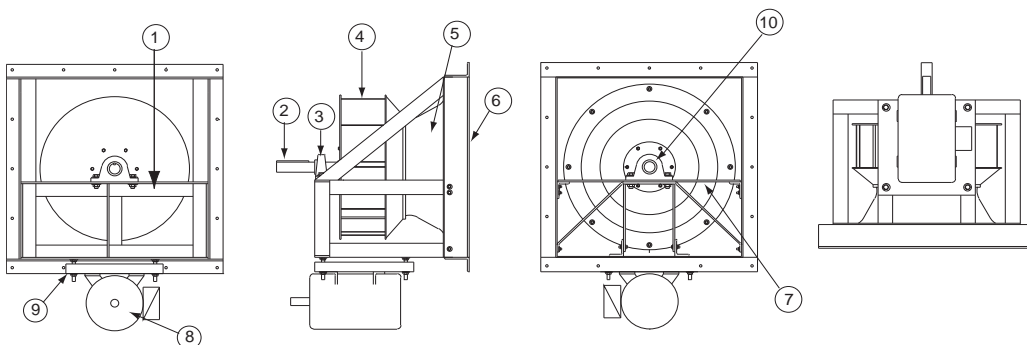
Part No.	Description
Sizes 120 - 730	
1	Drive Side Bearing Support
2	Fan Sheave
3	Belt Set
4	Motor Base
5	Shaft
6	Drive Side Bearing
7	Wheel
8	Safety Screen Enclosure (optional)
9	Inlet Cone
10	Inlet Panel
11	Inlet Side Bearing
12	Inlet Side Bearing Support
13	Motor
14	Motor Sheave

CPL Parts List (Arrangement 3T)



Part No.	Description
Sizes 120 - 730	
1	Motor Sheave
2	Motor
3	Belt Set
4	Fan Sheave
5	Shaft
6	Wheel
7	Inlet Cone
8	Inlet Panel
9	Inlet Side Bearing
10	Motor Base
11	Inlet Side Bearing Support
12	Drive Side Bearing Support

CPL Parts List (Arrangement 3V)



Part No.	Description
Sizes 120 - 730	
1	Drive Side Bearing Support
2	Shaft
3	Drive Side Bearing
4	Wheel
5	Inlet Cone
6	Inlet Panel
7	Inlet Side Bearing Support
8	Motor
9	Motor Base
10	Inlet Side Bearing

Limited Warranty

Loren Cook Company warrants that your Loren Cook fan was manufactured free of defects in materials and workmanship, to the extent stated herein. For a period of one (1) year after date of shipment, we will replace any parts found to be defective without charge, except for shipping costs which will be paid by you.

This warranty is granted only to the original purchaser placing the fan in service.

This warranty is void if the fan or any part thereof has been altered or modified from its original design or has been abused, misused, damaged or is in worn condition or if the fan has been used other than for the uses described in the company manual. This warranty does not cover defects resulting from normal wear and tear.

To make a warranty claim, notify Loren Cook Company, General Offices, 2015 East Dale Street, Springfield, Missouri 65803-4637, explaining in writing, in detail, your complaint and referring to the specific model and serial numbers of your fan. Upon receipt by Loren Cook Company of your written complaint, you will be notified, within thirty (30) days of our receipt of your complaint, in writing, as to the manner in which your claim will be handled. If you are entitled to warranty relief, a warranty adjustment will be completed within sixty (60) business days of the receipt of your written complaint by Loren Cook Company.

This warranty gives only the original purchaser placing the fan in service specifically the right. You may have other legal rights which vary from state to state.

For fans provided with motors, the motor manufacturer warrants motors for a designated period stated in the manufacturer's warranty. Warranty periods vary from manufacturer to manufacturer. Should motors furnished by Loren Cook Company prove defective during the designated period, they should be returned to the nearest authorized motor service station. Loren Cook Company will not be responsible for any removal or installation costs.

LOREN COOK COMPANY

Corporate Offices: 2015 E. Dale Street Springfield, MO 65803 417.869.6474
lorencook.com