



COOK

CA-4/CF-4

Swing Out Centrifugal Blowers

SUPPLEMENTAL INSTALLATION INSTRUCTIONS

This publication contains the supplemental installation instructions for standard units of the CA-4/CF-4 Swing Out Centrifugal Blowers. Carefully read this publication, as well as the CA/CF/CP Installation, Operation, and Maintenance manual, prior to any installation or maintenance procedure.

Loren Cook catalog, CA and CF, provides additional information describing the equipment, fan performance, available accessories, and specification data.

For additional safety information, refer to AMCA publication 410-96, *Safety Practices for Users and Installers of Industrial and Commercial Fans*

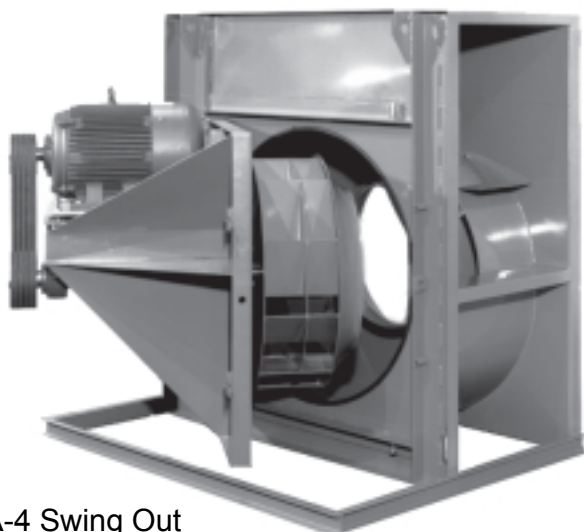
All of the publications listed above can be obtained from Loren Cook Company by phoning 417/869-6474, extension 166; by FAX at 417/832-9431; or by e-mail at info@loren-cook.com.

For information on special equipment, contact Loren Cook Company Customer Service Department at 417/869-6474.

Swing Out Door

All moving parts that require maintenance are mounted on a hinged door that opens to provide easy access.

- Disconnect power to the unit.
- Clear area around door to allow it to swing open.
- Remove locking pin(s) from door (door latches may have to be loosened slightly).
- Loosen restraining bolts located at the top and bottom of door.
- Loosen and remove door latches in steps to insure even opening of door.
- Pull door open.
- Reverse the steps above to close door.



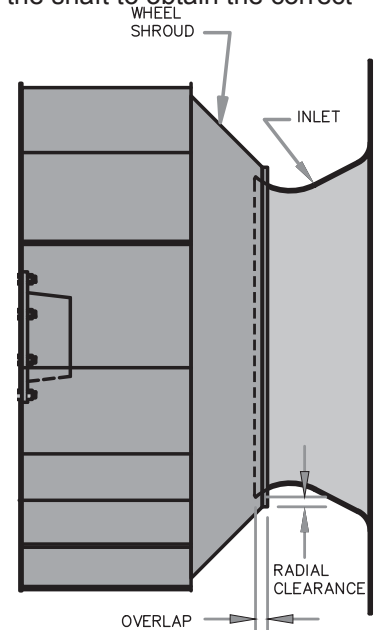
CA-4 Swing Out

The correct wheel-to-inlet clearance is critical to proper fan performance. This clearance should be verified before initial start-up since rough handling during shipment could cause a shift in fan components. Refer to wheel/inlet drawing for correct overlap.

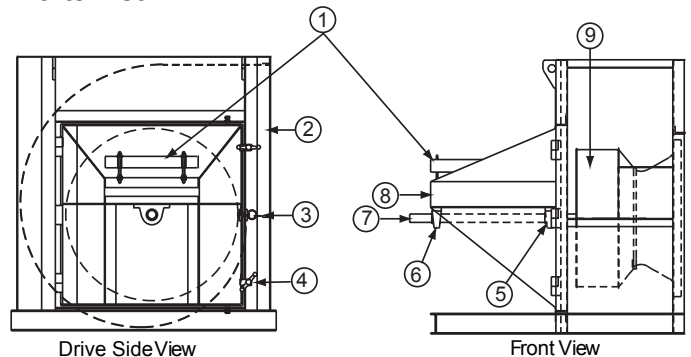
Adjust the overlap by loosening the wheel hub and moving the wheel along the shaft to obtain the correct value.

A uniform radial gap (space between the edge of the cone and the edge of the inlet) is obtained by loosening the inlet cone bolts and repositioning the inlet cone.

Size	Overlap
210-245	1/4"
270-300	5/16"
330-365	3/8"
402	7/16"
445-490	1/2"



Parts List



Part No.	Description
	Sizes 210-490
1	Motor Plate
2	Housing
3	Door Locking Pin
4	Door Latch Handle
5	Inboard Bearing
6	Outboard Bearing
7	Shaft
8	Bearing Support/Door Assembly
9	Wheel

Parts Not Shown: Motor, Motor Sheave, Inlet Cone, Fan Sheave, Belt Set