

This publication contains the installation, operation and maintenance instructions for standard units of the PR/TR/LSUG - Relief or Intake Ventilator.



**Carefully read this publication and any supplemental documents prior to any installation or maintenance procedure.**

Loren Cook catalog, *Gravity Ventilation*, provides additional information describing the equipment, fan performance, available accessories and specification data.

For additional safety information, refer to AMCA Publication 410-96, *Safety Practices for Users and Installers of Industrial and Commercial Fans*.

All of the publications listed above can be obtained from:

- [lorencook.com](http://lorencook.com)
- [info@lorencook.com](mailto:info@lorencook.com)
- 417-869-6474 ext. 166

For information and instructions on special equipment, contact Loren Cook Company at 417-869-6474.

### Receiving and Inspection

Immediately upon receipt of a PR / TR / LSUG unit, carefully inspect it for damage and shortage.

- Check dampers (if supplied) for free operation of all moving parts.
- Record on the *Delivery Receipt* any visible sign of damage.

### Handling

Lift the PR / TR / LSUG units by the base. The LSUG may be lifted by the lifting lug, as indicated on the parts list.

**NOTICE! Never lift by the top caps or windband.**

### Storage

If the unit is stored for any length of time prior to installation, store it in its original shipping crate and protect it from dust, debris and the weather.

### Installation

#### **Damper Installation**

If your unit is supplied with dampers, follow the directions below. If your unit does not include dampers, proceed to unit installation.

##### **When dampers are supplied:**

1. Place dampers inside the curb, ensuring that the damper will open freely in the correct direction of airflow.
2. Secure to curb at damper tray.
3. When motorized damper kits are supplied, follow installation instructions provided with kit. Drill hole in curb shelf for wiring (if needed).

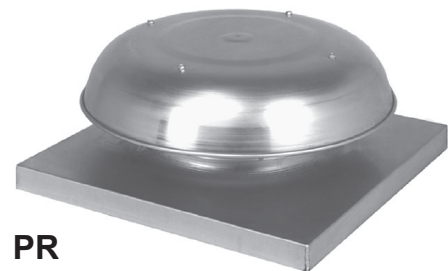
## **!WARNING**

The attachment of roof mounted fans to the roof curb as well as the attachment of roof curbs to the building structure must exceed the structural requirements based on the environmental loading derived from the applicable building code for the site. The local code official may require variations from the recognized code based on local data. The licensed engineer of record will be responsible for prescribing the correct attachment based on construction materials, code requirements and environmental effects specific to the installation.

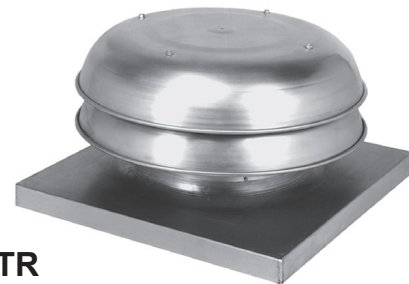
Failure to follow these instructions could result in death or serious injury.

### Unit Installation

Secure ventilator to curb using lag screws, anchor bolts, or suitable fasteners.



PR

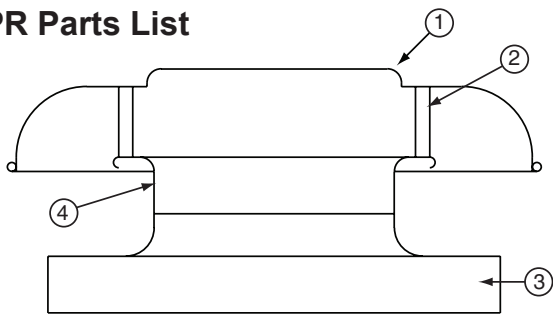


TR



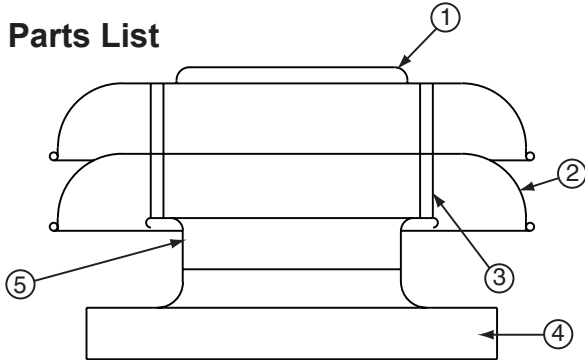
LSUG

## PR Parts List



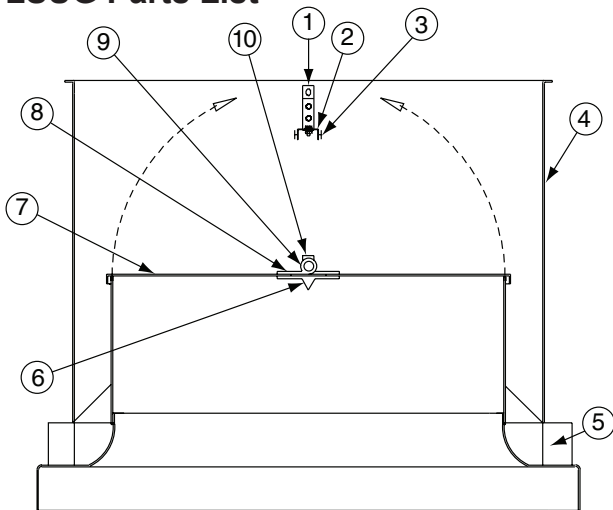
| Part No.         | Description           |             |
|------------------|-----------------------|-------------|
|                  | Sizes 8-30            | Sizes 36-48 |
| 1                | Topcap                | Topcap      |
| 2                | Post (4)              | Post (8)    |
| 3                | Bases                 | Base        |
| 4                | Inlet                 | Inlet       |
| <i>Not Shown</i> | Birdscreen (optional) |             |

## TR Parts List



| Part No.         | Description           |                    |
|------------------|-----------------------|--------------------|
|                  | Sizes 8-30            | Sizes 36-48        |
| 1                | Topcap                | Topcap             |
| 2                | Open Tiered Topcap    | Open Tiered Topcap |
| 3                | Post (8)              | Post (16)          |
| 4                | Base                  | Base               |
| 5                | Inlet                 | Inlet              |
| <i>Not Shown</i> | Birdscreen (optional) |                    |

## LSUG Parts List



| Part No. | Description                             |   |
|----------|---|---|
|          | Sizes 20-36                             | Sizes 42-60                             |
| 1        | Damper Stop Brackets / Lifting Lugs (2) | Damper Stop Brackets / Lifting Lugs (2) |
| 2        | Damper Stop Channel                     | Damper Stop Channel                     |
| 3        | Damper Bumpers (2)                      | Damper Bumpers (2)                      |
| 4        | Windband                                | Windband                                |
| 5        | Base Weldment                           | Base Weldment                           |
| 6        | Rain Gutter                             | Rain Gutter                             |
| 7        | Damper Door (2)                         | Damper Door (2)                         |
| 8        | Damper Hinges (4)                       | Damper Hinges (8)                       |
| 9        | Damper Pivot Rod                        | Damper Pivot Rod                        |
| 10       | Damper Pivot Brackets (2)               | Damper Pivot Brackets (2)               |

## Limited Warranty

Loren Cook Company warrants that your Loren Cook fan was manufactured free of defects in materials and workmanship, to the extent stated herein. For a period of five (5) years after date of shipment, we will replace any parts found to be defective without charge, except for shipping costs which will be paid by you. This warranty is granted only to the original purchaser placing the fan in service. This warranty is void if the fan or any part thereof has been altered or modified from its original design or has been abused, misused, damaged or is in worn condition or if the fan has been used other than for the uses described in the company manual. This warranty does not cover defects resulting from normal wear and tear. To make a warranty claim, notify Loren Cook Company, General Offices, 2015 East Dale Street, Springfield, Missouri 65803-4637, explaining in writing, in detail, your complaint and referring to the specific model and serial numbers of your fan. Upon receipt by Loren Cook Company of your written complaint, you will be notified, within thirty (30) days of our receipt of your complaint, in writing, as to the manner in which your claim will be handled. If you are entitled to warranty relief, a warranty adjustment will be completed within sixty (60) business days of the receipt of your written complaint by Loren Cook Company. This warranty gives only the original purchaser placing the fan in service specifically the right. You may have other legal rights which vary from state to state.



# LOREN COOK COMPANY

Corporate Offices: 2015 E. Dale St. Springfield, MO 65803  
 Phone 417-869-6474 | Fax 417-862-3820 | [lorencook.com](http://lorencook.com)