



COOK

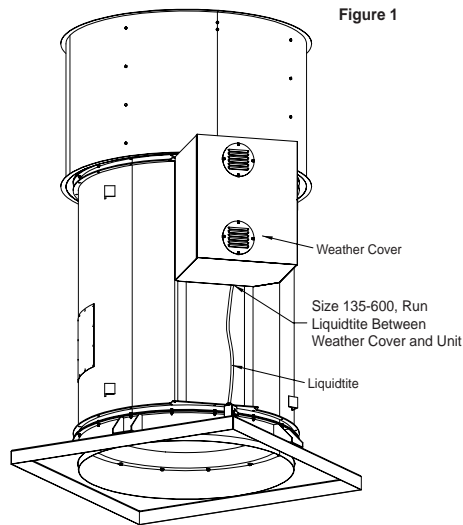
QMX Typical Wiring Path

for Roof Mounted Units

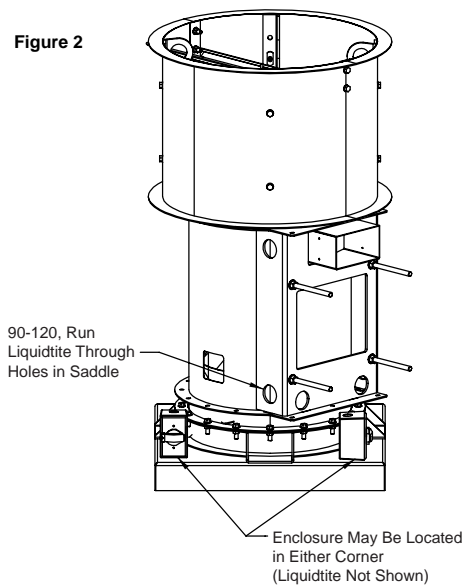
SUPPLEMENTAL INSTALLATION INSTRUCTIONS

Typical Wiring Path for Roof Mounted Units

For sizes 135-600, route conduit under motor cover between the motor support rails and out to enclosure as shown in Figure 1 below.



For sizes 90-120, route conduit through holes in the sides of the motor support saddle as shown in Figure 2 below.



LOREN COOK COMPANY

Corporate Offices: 2015 E. Dale Street Springfield, MO 65803 417.869.6474
lorencook.com