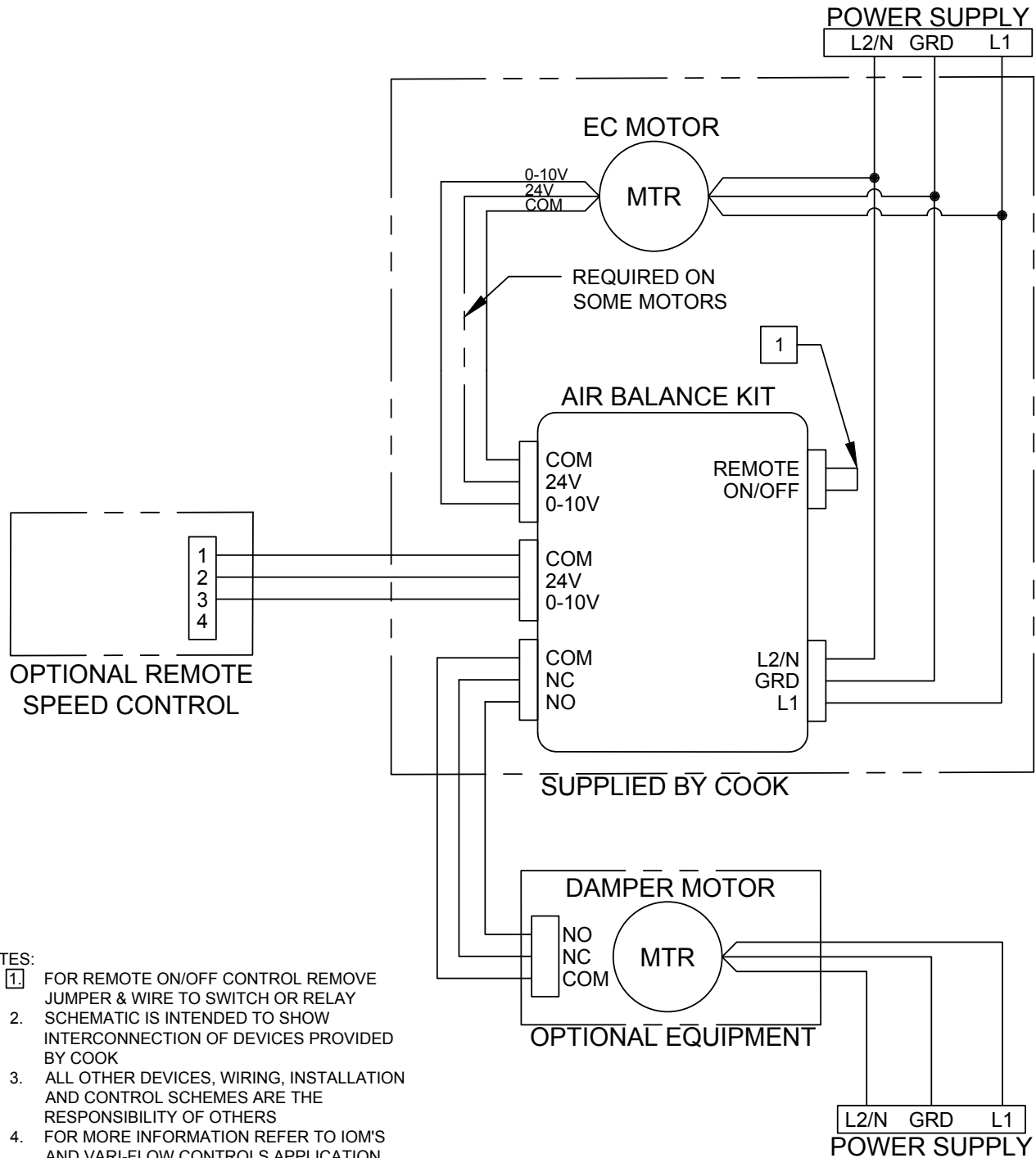


INSTALLATION, OPERATION AND MAINTENANCE MANUAL

This publication contains supplemental wiring instructions for the standard Vari-Flow® Air Balance Kit. Carefully read this publication prior to any installation or maintenance procedure.

All of the publications listed above can be obtained from Loren Cook Company by phoning (417) 869-6474, extension 166; by faxing (417) 832-9431; or by e-mailing info@lorencook.com. For information on special equipment, contact Loren Cook Company Customer Service Department at (417) 869-6474.



NOTES:

1. FOR REMOTE ON/OFF CONTROL REMOVE JUMPER & WIRE TO SWITCH OR RELAY
2. SCHEMATIC IS INTENDED TO SHOW INTERCONNECTION OF DEVICES PROVIDED BY COOK
3. ALL OTHER DEVICES, WIRING, INSTALLATION AND CONTROL SCHEMES ARE THE RESPONSIBILITY OF OTHERS
4. FOR MORE INFORMATION REFER TO IOM'S AND VARI-FLOW CONTROLS APPLICATION GUIDE