



# COOK ACRU-B/ACRU-HP/ACRU-XP

DATE: \_\_\_\_\_

PROJECT: \_\_\_\_\_

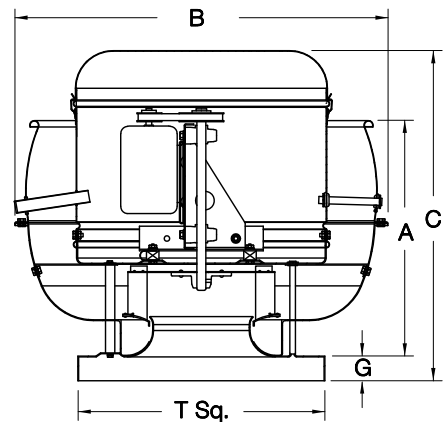
LOCATION: \_\_\_\_\_



**Upblast Centrifugal  
Exhaust Ventilator  
Roof Mounted/Belt Drive**

**DIMENSION DATA**

Size	A	B	C			G	T Sq.	Ship Wt.	Roof Opening Sq.*
			ACRU-B	ACRU-HP	ACRU-XP				
100	12-1/2	25-1/4	20-3/16	-	-	2	18	30	13-1/2
120	19-1/16	30-3/16	28-1/4	-	-	2	20	61	15-1/2
135	19-1/16	30-3/16	28-5/8	-	-	2	20	66	15-1/2
150	20-15/16	34-11/16	30-1/4	27-1/2	-	2	24	77	19-1/2
165	20-15/16	34-11/16	30-3/4	27-3/4	26-11/16	2	24	83	19-1/2
180	24-13/16	39-7/16	35-7/8	33-3/8	31-9/16	3	30	100	25-1/2
195	24-13/16	39-7/16	36-3/8	33-1/2	32-1/8	3	30	110	25-1/2
210	25-15/16	45-1/4	38-3/8	35-3/8	32-3/4	3	30	220	25-1/2
225	25-15/16	45-1/4	38-1/8	35-1/2	33-5/16	3	30	242	25-1/2
245	28-1/2	49-1/4	41-1/16	37-5/16	34-1/16	3	30	264	25-1/2
270	28-1/2	49-1/4	41-1/16	37-5/16	35	3	36	286	31-1/2
300	33-7/8	54-1/4	49-15/16	45-15/16	41-7/16	3	36	336	31-1/2
330	34-1/8	54-1/4	50-7/16	46-11/16	43-1/8	3	42	374	37-1/2
365	36-3/8	64-1/4	52-7/16	48-7/16	44-1/4	3	42	420	37-1/2
402	37-7/8	64-1/4	54-11/16	-	-	3	48	484	43-1/2
445	42-7/8	76-1/4	57-3/16	-	-	3	54	556	49-1/2
490	44-5/8	76-1/4	58-1/16	-	-	3	54	715	49-1/2



ALL DIMENSIONS IN INCHES. WEIGHTS IN LBS., LESS MOTOR.  
\* ROOF OPENING SIZE FOR CURBS SUPPLIED BY COOK ONLY.

**STANDARD CONSTRUCTION FEATURES:**

All aluminum housing – Backward inclined all aluminum wheel –  
Two piece top cap with stainless steel quick release latches – One piece  
bottom spinning – Welded curb cap corners – Birdscreen –  
Vibration isolators – Lifting lugs – Permanently lubricated ball bearing  
motors – Static resistant belts – Adjustable pitch drives through 5 hp  
motor – Corrosion resistant fasteners – Regreasable bearings in a cast  
iron pillow block housing rated at 200,000 hours average life – All fans  
factory adjusted to specified fan RPM – Transit tested packaging –  
Standard motors ship factory installed.

**ACCESSORIES**

1. DISCONNECT SWITCH
2. GRAVITY BACKDRAFT DAMPER
3. MOTORIZED BACKDRAFT DAMPER
4. RCG GALVANIZED CURB
5. RCA ALUMINUM CURB
6. EPOXY COATING
7. EPOXY PHENOLIC COATING
8. LORENIZED COATING
9. ANTI-CONDENSATE COATING
10. HINGED BASE
11. GREASE TERMINATOR
12. LESS BIRDSCREEN
13. TYPE "A" CONSTRUCTION
14. SPECIAL

QTY	MARK	CATALOG NUMBER	FAN INFORMATION			MOTOR INFORMATION					ACCESSORIES			
			CFM	SP	RPM	HP	VOLTS	HZ	PH	TYPE				

**MOTOR TYPE:** ODP (OPEN DRIP-PROOF); **2 SP** (2 SPEED);  
**X-PRF** (EXPLOSION PROOF); **TEFC** (TOTALLY ENCLOSED FAN COOLED).