



COOK ACRUD/ACRUD-HP/ACRUD-XP

DATE: _____

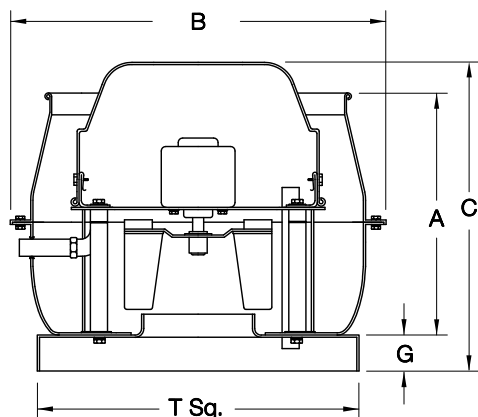
PROJECT: _____

LOCATION: _____

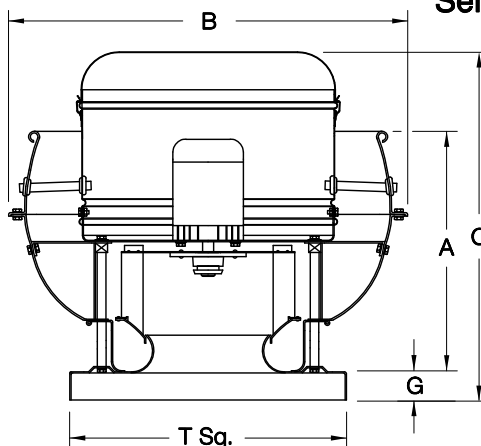


SEISMICALLY
QUALIFIED

**Uplast Centrifugal
Exhaust Ventilator
Roof Mounted/Direct Drive
Seismic Rated**



Sizes 70-100



Sizes 120-195

DIMENSION DATA

Size	A	B	C			G	T Sq.	Ship Wt.	Roof Opening Sq.*
			ACRUD	ACRUD-HP	ACRUD-XP				
70	11	17-1/8	13-3/8	-	-	2	18	20	13-1/2
90	13-1/2	21-1/8	16-3/8	-	-	2	18	28	13-1/2
100	13-1/2	21-1/8	16-3/8	-	-	2	18	30	13-1/2
120	19-1/16	30-3/16	28-1/8	-	-	2	20	67	15-1/2
135	19-1/16	30-3/16	28-5/8	-	-	2	20	72	15-1/2
150	20-15/16	34-11/16	30-1/4	27-1/2	-	2	24	87	19-1/2
165	20-15/16	34-11/16	30-3/4	27-3/4	26-11/16	2	24	90	19-1/2
180	24-13/16	39-7/16	35-7/8	33-3/8	31-9/16	3	30	102	25-1/2
195	24-13/16	39-7/16	-	33-1/2	32-1/8	3	30	112	25-1/2

ALL DIMENSIONS IN INCHES. WEIGHTS IN LBS.
* ROOF OPENING SIZE FOR CURBS SUPPLIED BY COOK ONLY.

STANDARD CONSTRUCTION FEATURES:

All aluminum housing – Backward inclined all aluminum wheel – Two piece top cap with stainless steel quick release latches (Sizes 120–195) – Welded curb cap corners – Birdscreen – Permanently lubricated ball bearing motors – Corrosion resistant fasteners – Transit tested packaging.

**OSHPD: OSP-0033-10
SHAKE TABLE TESTED
TO ICC-ES AC156**

ACCESSORIES

- DISCONNECT SWITCH
- GRAVITY BACKDRAFT DAMPER
- MOTORIZED BACKDRAFT DAMPER
- RCG GALVANIZED CURB
- RCA ALUMINUM CURB
- FAN SPEED CONTROL
- EPOXY COATING
- ANTI-CONDENSATE COATING
- HINGED BASE
- GREASE TERMINATOR
- LESS BIRDSCREEN

QTY	MARK	CATALOG NUMBER	FAN INFORMATION			MOTOR INFORMATION					ACCESSORIES								
			CFM	SP	RPM	HP	VOLTS	HZ	PH	TYPE									

MOTOR TYPE: ODP (OPEN DRIP-PROOF); 2 SP (2 SPEED); X-PRF (EXPLOSION PROOF); TEFC (TOTALLY ENCLOSED FAN COOLED).