



COOK ACWD/ACWD-HP/ACWD-XP VF

DATE: _____
 PROJECT: _____
 LOCATION: _____



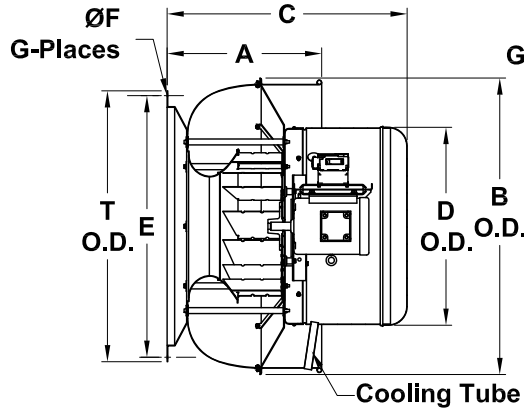
Centrifugal
 Exhaust Ventilator

Wall Mounted/Direct Drive

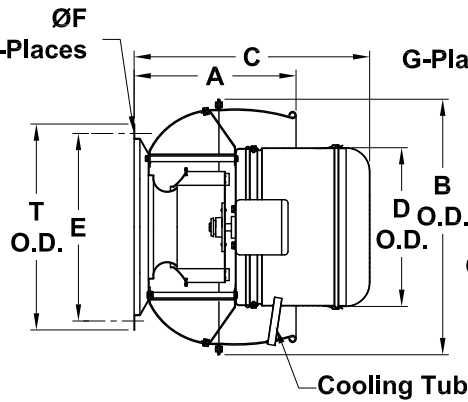


Electronically Commutated

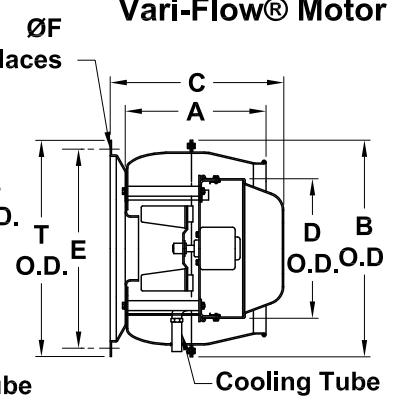
Vari-Flow® Motor



Sizes 150-245 Base Motor Mount



Sizes 101-195 C-Face Motor Mount



Sizes 70-100 C-Face Motor Mount

DIMENSION DATA

| Size | A | B | C | | | D | E | F | G | H | T Dia. | Unit Wt. | Wall Opening | |
|------|----------|----------|--------|---------|----------|----------|--------|-----|---|--------|--------|----------|--------------|-------|
| | | | ACWD | ACWD-HP | ACWD-XP | | | | | | | | Square | Round |
| 70 | 12-1/8 | 17-1/8 | 13 | - | - | 16-3/4 | 14-1/4 | 3/8 | 4 | 9-1/4 | 15-1/2 | 14 | 8 | 8 |
| 90 | 14-7/8 | 21-1/8 | 16 | - | - | 16-3/4 | 19-3/4 | 3/8 | 4 | 12-3/8 | 21-1/4 | 15 | 10 | 10 |
| 100 | 14-7/8 | 21-1/8 | 16 | - | - | 16-3/4 | 19-3/4 | 3/8 | 4 | 12-3/8 | 21-1/4 | 20 | 10 | 10 |
| 101 | 13-7/16 | 25-3/16 | 21-3/8 | - | - | 16-3/4 | 19-3/4 | 3/8 | 4 | 12-3/8 | 21-1/4 | 25 | 10 | 10 |
| 120 | 18-7/16 | 30-3/16 | 28-1/4 | - | - | 20-3/8 | 23-1/2 | 3/8 | 4 | 16 | 25 | 31 | 12 | 12 |
| 135 | 18-7/16 | 30-3/16 | 28-3/4 | - | - | 20-3/8 | 23-1/2 | 3/8 | 4 | 16 | 25 | 38 | 12 | 12 |
| 150 | 20-1/16 | 34-11/16 | 30-3/8 | 27-5/8 | - | 23-13/16 | 28-1/2 | 3/8 | 8 | 19-1/2 | 30 | 47 | 16 | 16 |
| 165 | 20-1/16 | 34-11/16 | 30-7/8 | 27-7/8 | 26-13/16 | 23-13/16 | 28-1/2 | 3/8 | 8 | 19-1/2 | 30 | 58 | 16 | 16 |
| 180 | 22-11/16 | 39-7/16 | 35-5/8 | 33-1/8 | 31-5/16 | 26-1/8 | 34-1/2 | 3/8 | 8 | 22-1/2 | 36 | 56 | 20 | 20 |
| 195 | 22-11/16 | 39-7/16 | 36-1/8 | 33-1/4 | 31-7/8 | 26-1/8 | 34-1/2 | 3/8 | 8 | 22-1/2 | 36 | 82 | 20 | 20 |
| 210 | 23-11/16 | 45-1/4 | 37-3/4 | 34-3/4 | 32-1/8 | 29-7/8 | 39-1/2 | 3/8 | 8 | 26 | 41 | 91 | 24 | 22 |
| 225 | 23-11/16 | 45-1/4 | 38-1/4 | 35-5/8 | 33-7/16 | 29-7/8 | 39-1/2 | 3/8 | 8 | 26 | 41 | 115 | 24 | 22 |
| 245 | 25-5/16 | 49-1/4 | 39-7/8 | 36-1/8 | 32-7/8 | 32-7/8 | 43-1/2 | 3/8 | 8 | 26 | 45 | 166 | 24 | 22 |

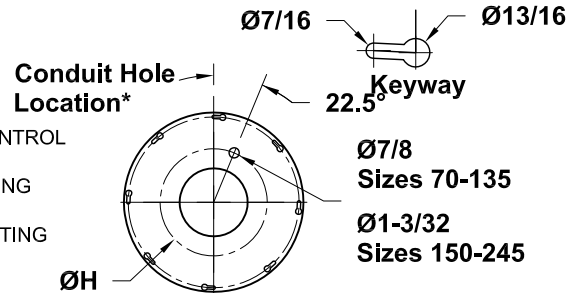
ALL DIMENSIONS IN INCHES. WEIGHT IN LBS., LESS MOTOR
 *VIEW FROM FAN SIDE

STANDARD CONSTRUCTION FEATURES:

All aluminum housing- Backward inclined all aluminum wheel- Two piece top cap with stainless steel quick release latches (Sizes 120-245) - Mounting flange with keyslots and template - Birdscreen - Preprogrammed electronically commutated Vari-Flow® motor/drive package - Corrosion resistant fasteners - Transit tested packaging.

ACCESSORIES

1. DISCONNECT SWITCH
2. GRAVITY BACKDRAFT DAMPER
3. INLET GRILL
4. REMOTE FAN SPEED CONTROL
5. EPOXY COATING
6. EPOXY PHENOLIC COATING
7. LORENIZED COATING
8. ANTI-CONDENSATE COATING
9. LESS BIRDSCREEN
10. GREASE TERMINATOR



| QTY | MARK | CATALOG NUMBER | FAN INFORMATION | | | MOTOR INFORMATION | | | | | ACCESSORIES | | |
|-----|------|----------------|-----------------|----|-----|-------------------|-------|----|----|------|-------------|--|--|
| | | | CFM | SP | RPM | HP | VOLTS | HZ | PH | TYPE | | | |
| | | | | | | | | | | | | | |