

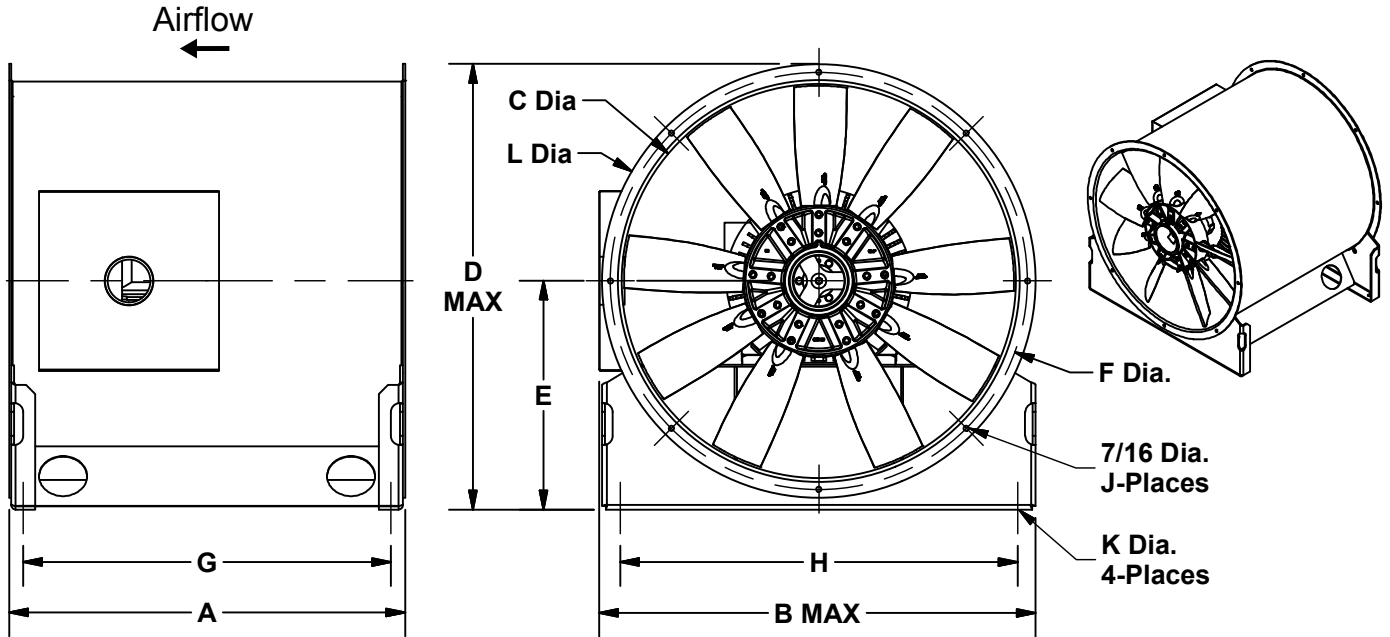
DATE: _____

PROJECT: _____

LOCATION: _____



Axial Inline Fan
Horizontal Mount
Direct Drive
Arrangement 4, Level I


STANDARD CONSTRUCTION FEATURES:

High efficiency, heavy duty cast aluminum impeller - Continuously welded steel housing with Lorenized powder coating - Integral pre-punched inlet and outlet flanges - Corrosion resistant fasteners - Lifting Lugs - Rigid motor support welded to housing - Totally enclosed motor - Motor leads extended to exterior of the housing to a NEMA 1 wiring compartment

DIMENSION DATA

Size	A	B	C	D	E	F	G	H	J	K	L	Max Motor Frame	Unit Wt.
31	19	15 3/8	12 1/2	16	8 3/8	14 1/8	17 5/16	12 1/4	8	1/2	15 1/4	145T	46
36	19	17 7/16	14 1/2	17 7/8	9 1/4	16 1/8	17 5/16	14 1/4	8	1/2	17 1/4	145T	53
41	22	19 1/2	16 1/2	19 5/8	10	18 1/8	20 5/16	16 1/4	8	1/2	19 1/4	184T	77
47	22	21 7/8	18 5/8	22 5/16	11 7/16	20 1/4	19 5/16	18 3/4	8	1/2	21 3/4	184T	90
54	22	24 7/8	21 5/8	25 1/4	12 7/8	23 5/16	20 1/4	21 3/4	8	1/2	24 3/4	184T	128
63	22	28	24 5/8	28 15/16	15	26 5/16	19 3/4	24 7/8	8	1/2	27 7/8	184T	159
72	26	32 5/16	28 7/8	33 1/4	17 3/16	30 9/16	23 3/4	29 1/8	8	1/2	32 1/8	215T	231
80	33	36 3/8	32 7/8	37 1/8	19 1/16	34 3/4	30 5/8	33 1/8	8	9/16	36 1/8	286T	390
90	39	41 5/16	37	42 1/16	21 7/16	39 1/4	36 5/8	37 3/8	8	9/16	41 1/4	324T	581
103	39	45 5/8	41 1/8	47 1/4	24 9/16	43 3/8	34 5/8	41 1/2	8	9/16	45 3/8	324T	653
113	39	49 7/8	45 1/4	51 11/16	26 15/16	47 1/2	36 1/2	46 1/2	8	5/8	49 1/2	365T	900
123	41	54 3/16	49 3/8	56 3/16	29 5/16	51 5/8	38 1/2	50 3/4	16	5/8	53 3/4	365T	1020
140	41	60 15/16	56	63 9/16	33 3/8	58 1/4	38 1/8	57 3/8	16	5/8	60 3/8	365T	1312
160	41	69 3/16	64 1/8	70 3/8	36 1/8	66 3/8	38 1/8	65 1/2	16	5/8	68 1/2	365T	1502

ALL DIMENSIONS IN INCHES. WEIGHTS IN LBS., LESS MOTOR.