

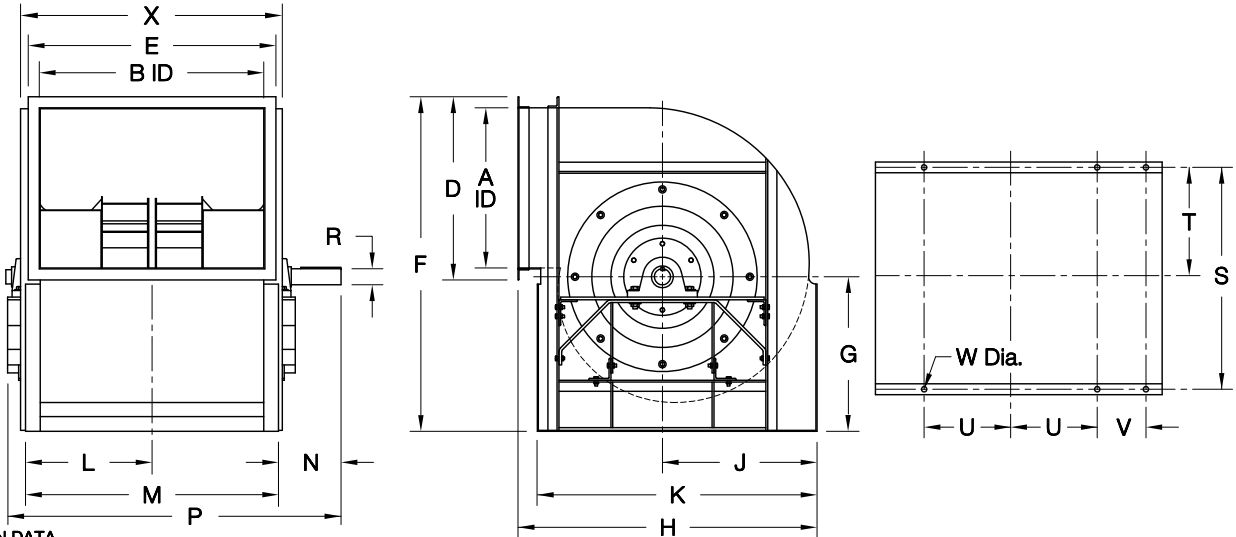
COOK

CA DWDI

DATE: _____
 PROJECT: _____
 LOCATION: _____



Airfoil Centrifugal Blower
Counterclockwise Top Horizontal
Arrangement 3



DIMENSION DATA

Size	A	B	D	E	F	G	H	J	K	L	M	N		
												Class I	Class II	Class III
120	12-1/8	17-11/16	15-1/2	21-1/16	27-9/16	13	24-1/2	12-3/8	21-1/2	10-27/32	21-11/16	5-3/4	6-1/8	6-3/8
135	13-5/8	19-15/16	17	23-5/16	30-3/16	14	27	13-7/8	24	11-31/32	23-15/16	5-3/4	6-1/8	6-5/8
150	15-1/4	22	18-5/8	25-3/8	32-13/16	15	29	15-3/16	26	13	26	6-5/8	6-7/8	7-1/4
165	16-15/16	24	20-5/16	27-3/8	36-7/16	17	31-1/2	16-5/8	28-1/2	14	28	6-5/8	6-7/8	7-3/16
180	18-1/2	26-1/16	21-7/8	29-7/16	39-1/16	18	33-3/4	18-1/8	30-3/4	15-1/32	30-1/16	7-1/8	7-3/8	7-3/4
195	19-1/2	28-7/16	22-7/8	31-13/16	42-11/16	20	36-1/4	19-7/16	33	16-7/32	32-7/16	7-1/4	7-5/8	8
210	21-5/8	30-3/8	25	33-3/4	45-3/8	21	41	21	38	17-3/16	34-3/8	7-7/8	8-1/8	8-1/2
225	23-3/16	32-1/2	26-9/16	35-7/8	49	23	43	22-3/8	40	18-1/4	36-1/2	7-7/8	8-1/4	8-1/2
245	25-1/2	35-1/16	28-7/8	38-7/16	53-1/8	25	46	24-1/4	43	19-17/32	39-1/16	8-5/8	8-3/4	8-3/4
270	27-1/2	39-7/16	30-7/8	42-13/16	57-7/8	27	50	26-5/8	47	21-23/32	43-7/16	8-5/8	9	8-3/4
300	31-3/16	43	34-5/8	46-7/16	64-1/8	30	55-3/8	29-1/2	52	23-1/2	47	9-1/4	9-1/2	9-1/2
330	34-1/2	47-1/16	38-15/16	51-1/2	70-7/8	33	60-3/4	32-5/16	57	25-17/32	51-1/16	10-1/16	9-5/8	10
365	38-11/16	52-3/16	43-1/8	56-5/8	77-3/4	36	67	35-9/16	63	28-3/32	56-3/16	10-5/16	10-1/2	10-1/2
402	41-3/4	57-13/16	46-3/16	62-1/4	85-3/4	40	73-7/8	39-3/16	69	31-29/32	63-13/16	10	10	10-1/2
445	45-15/16	64-1/4	50-3/8	68-11/16	94-5/8	44	81-1/2	43-3/16	77	35-1/8	70-1/4	10-5/8	11	11
490	51	70-1/8	55-7/16	74-9/16	103-1/4	48	89-3/4	47-9/16	85	38-1/16	76-1/8	11-1/2	12	12
540	55-3/4	77-15/16	60-3/16	82-3/8	113-3/4	53	98-3/4	52-1/4	94	41-31/32	83-15/16	12-7/16	13-3/4	14-3/16
600	62-3/16	86-1/4	66-5/8	90-11/16	126-1/4	59	109-5/8	57-15/16	105	46-1/8	92-1/4	13	14-1/4	14-3/4
660	68-7/16	94-7/8	72-7/8	99-5/16	138-3/4	65	120-5/8	63-3/4	116	50-7/16	100-7/8	14-13/16	15-5/16	14-5/8
730	75-13/16	104-3/4	80-1/4	109-3/16	153-3/8	72	133-1/4	70-3/8	129	55-3/8	110-3/4	16-5/16	16-1/4	16-3/4

Size	P			R			S	T	U	V	W	X	Shipping Weight		
	Class I	Class II	Class III	Class I	Class II	Class III							Class I	Class II	Class III
120	28-11/16	29-7/16	29-15/16	1-7/16	1-11/16	1-15/16	19-15/16	9-31/32	7-1/2	-	11/16	21-15/16	252	277	302
135	30-15/16	31-11/16	32-11/16	1-7/16	1-11/16	2-3/16	22-3/16	11-3/32	8-1/2	-	11/16	24-3/16	346	380	415
150	34-1/4	34-3/4	35-1/2	1-11/16	1-15/16	2-7/16	24-1/4	12-1/8	9	-	11/16	26-1/4	444	488	532
165	36-1/4	36-3/4	37-1/2	1-11/16	1-15/16	2-7/16	26-1/4	13-1/8	10	-	11/16	28-1/4	546	600	655
180	38-13/16	39-5/16	40-1/16	1-11/16	1-15/16	2-7/16	28-5/16	14-5/32	11	-	11/16	30-5/16	652	717	782
195	41-11/16	42-3/16	42-15/16	1-15/16	2-3/16	2-11/16	30-11/16	15-11/32	11-1/2	6	11/16	32-11/16	762	839	915
210	44-1/8	44-5/8	45-3/8	1-15/16	2-3/16	2-11/16	32-5/8	16-5/16	12	7	13/16	34-5/8	877	965	1053
225	46-1/4	47	47-1/2	1-15/16	2-7/16	2-15/16	34-3/4	17-3/8	12-1/2	7-1/2	13/16	36-3/4	996	1096	1195
245	49-13/16	50-1/16	50-11/16	2-3/16	2-7/16	2-7/16	37-5/16	18-21/32	13-1/2	8	13/16	41-5/16	1161	1277	1393
270	54-3/16	54-15/16	55-1/16	2-3/16	2-11/16	2-3/16	41-11/16	20-27/32	15	9	13/16	45-11/16	1378	1515	1653
300	58-1/2	59	59-3/8	2-7/16	2-11/16	2-7/16	45-1/4	22-5/8	16-1/2	10	13/16	49-1/4	1653	1818	1984
330	63-9/16	63-11/16	63-15/16	2-11/16	2-3/16	2-7/16	49-5/16	24-21/32	18	12	13/16	53-7/16	1945	2140	2334
365	69-5/16	69-9/16	70-1/16	2-3/16	2-7/16	2-11/16	54-7/16	27-7/32	20	13	13/16	58-9/16	2307	2538	2769
402	75-11/16	75-11/16	76-3/16	2-7/16	2-7/16	2-11/16	61-5/16	30-21/32	22	14	1-1/16	65-3/16	2715	2986	3258
445	82-5/8	83-1/2	83-1/2	2-7/16	2-11/16	2-15/16	67-3/4	33-7/8	24	16	1-1/16	71-5/8	3220	3543	3865
490	89-1/2	90-3/8	90-5/8	2-15/16	3-7/16	3-7/16	73-5/8	36-13/16	26-1/2	18	1-1/16	77-1/2	3787	4165	4544
540	98-5/16	99-15/16	100-3/16	3-7/16	3-15/16	3-15/16	81-7/16	40-23/32	29	20	1-1/16	88-5/16	4460	4906	5352
600	107-1/2	108-3/4	110-3/4	3-7/16	3-15/16	4-7/16	89-3/4	44-7/8	32	22	1-1/16	96-5/8	5329	5862	6395
660	117-7/8	118-5/8	119-7/8	3-15/16	4-7/16	4-7/16	98-3/8	49-3/16	35	25	1-1/16	105-1/4	6265	6892	7518
730	129-1/4	130-3/4	131-1/4	4-7/16	4-7/16	4-15/16	108-1/4	54-1/8	38-1/2	28	1-1/16	115-1/8	7442	8186	8930

ALL DIMENSIONS IN INCHES. WEIGHTS IN LBS., LESS MOTOR.

CA502R02