



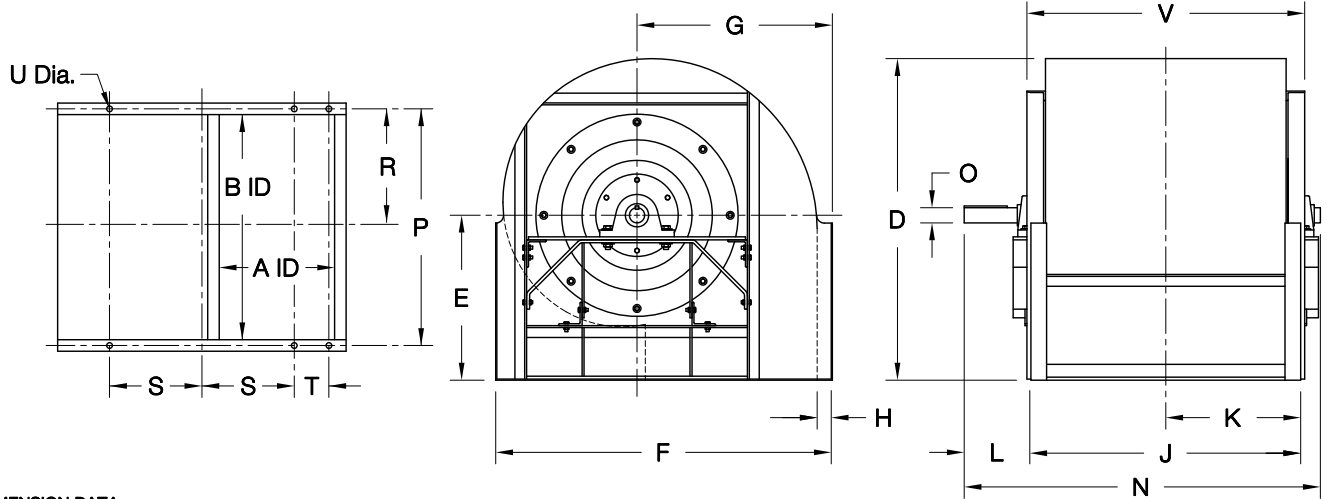
# COOK

# CA DWDI

DATE: \_\_\_\_\_  
 PROJECT: \_\_\_\_\_  
 LOCATION: \_\_\_\_\_



**Airfoil Centrifugal Blower  
 Clockwise Down Blast  
 Arrangement 3**



**DIMENSION DATA**

Size	A	B	D	E	F	G	H	J	K	L		
										Class I	Class II	Class III
120	12-1/8	17-11/16	24-3/8	13	25-3/4	15-1/16	2	21-11/16	10-27/32	5-3/4	6-1/8	6-3/8
135	13-5/8	19-15/16	25-9/16	14	28-3/4	16-11/16	2	23-15/16	11-31/32	5-3/4	6-1/8	6-5/8
150	15-1/4	22	29-1/4	15	31-5/8	18-5/16	2	26	13	6-5/8	6-7/8	7-1/4
165	16-15/16	24	32-5/8	17	34-3/8	19-15/16	2	28	14	6-5/8	6-7/8	7-3/16
180	18-1/2	26-1/16	35-1/8	18	37-1/8	21-9/16	2	30-1/16	15-1/32	7-1/8	7-3/8	7-3/4
195	19-1/2	28-7/16	38-1/2	20	40	23-3/16	2	32-7/16	16-7/32	7-1/4	7-5/8	8
210	21-5/8	30-3/8	40-15/16	21	42-7/8	24-7/8	2	34-3/8	17-3/16	7-7/8	8-1/8	8-1/2
225	23-3/16	32-1/2	44-3/8	23	45-3/4	26-1/2	2	36-1/2	18-1/4	7-7/8	8-1/4	8-1/2
245	25-1/2	35-1/16	48-1/4	25	49-1/2	28-5/8	2	39-1/16	19-17/32	8-5/8	8-3/4	8-3/4
270	27-1/2	39-7/16	50-1/8	27	54-3/4	31-3/8	2	43-7/16	21-23/32	8-5/8	9	8-3/4
300	31-3/16	43	58-1/2	30	60	34-5/8	2	47	23-1/2	9-1/4	9-1/2	9-1/2
330	34-1/2	47-1/16	64-3/8	33	65-3/4	37-7/8	2	51-1/16	25-17/32	10-1/16	9-5/8	10
365	38-11/16	52-3/16	70-5/8	36	72-3/8	41-3/4	2	56-3/16	28-3/32	10-5/16	10-1/2	10-1/2
402	41-3/4	57-13/16	78-1/4	40	80-3/8	46-3/4	3	63-13/16	31-29/32	10	10	10-1/2
445	45-15/16	64-1/4	86-1/4	44	88-1/2	51-3/8	3	70-1/4	35-1/8	10-5/8	11	11
490	51	70-1/8	94-1/2	48	97	56-1/4	3	76-1/8	38-1/16	11-1/2	12	12
540	55-3/4	77-15/16	104-1/4	53	106-5/8	61-3/4	3	83-15/16	41-31/32	12-7/16	13-3/4	14-3/16
600	62-3/16	86-1/4	116	59	118	68-1/4	3	92-1/4	46-1/8	13	14-1/4	14-3/4
660	68-7/16	94-7/8	121-5/8	65	129-3/8	74-3/4	3	100-7/8	50-7/16	14-13/16	15-5/16	14-5/8
730	75-13/16	104-3/4	141-5/16	72	142-5/8	82-3/8	3	110-3/4	55-3/8	16-5/16	16-1/4	16-3/4

Size	N			O			P	R	S	T	U	V	Shipping Weight		
	Class I	Class II	Class III	Class I	Class II	Class III							Class I	Class II	Class III
120	28-11/16	29-7/16	29-15/16	1-7/16	1-11/16	1-15/16	19-15/16	9-31/32	7-1/2	-	11/16	21-15/16	252	277	302
135	30-15/16	31-11/16	32-11/16	1-7/16	1-11/16	2-3/16	22-3/16	11-3/32	8-1/2	-	11/16	24-3/16	346	380	415
150	34-1/4	34-3/4	35-1/2	1-11/16	1-15/16	2-7/16	24-1/4	12-1/8	9	-	11/16	26-1/4	444	488	532
165	36-1/4	36-3/4	37-1/2	1-11/16	1-15/16	2-7/16	26-1/4	13-1/8	10	-	11/16	28-1/4	546	600	655
180	38-13/16	39-5/16	40-1/16	1-11/16	1-15/16	2-7/16	28-5/16	14-5/32	11	-	11/16	30-5/16	652	717	782
195	41-11/16	42-3/16	42-15/16	1-15/16	2-3/16	2-11/16	30-11/16	15-11/32	11-1/2	9	11/16	32-11/16	762	839	915
210	44-1/8	44-5/8	45-3/8	1-15/16	2-3/16	2-11/16	32-5/8	16-5/16	12	10	13/16	34-5/8	877	965	1053
225	46-1/4	47	47-1/2	1-15/16	2-7/16	2-15/16	34-3/4	17-3/8	12-1/2	10	13/16	36-3/4	996	1096	1195
245	49-13/16	50-1/16	50-11/16	2-3/16	2-7/16	2-3/16	37-5/16	18-21/32	13-1/2	11	13/16	41-5/16	1161	1277	1393
270	54-3/16	54-15/16	55-1/16	2-3/16	2-11/16	2-3/16	41-11/16	20-27/32	15	12	13/16	45-11/16	1378	1515	1653
300	58-1/2	59	59-3/8	2-7/16	2-11/16	2-7/16	45-1/4	22-5/8	16-1/2	14	13/16	49-1/4	1653	1818	1984
330	63-9/16	63-11/16	63-15/16	2-11/16	2-3/16	2-7/16	49-5/16	24-21/32	18	16	13/16	53-7/16	1945	2140	2334
365	69-5/16	69-9/16	70-1/16	2-3/16	2-7/16	2-11/16	54-7/16	27-7/32	20	17	13/16	58-9/16	2307	2538	2769
402	75-11/16	75-11/16	76-3/16	2-7/16	2-7/16	2-11/16	61-5/16	30-21/32	22	20	1-1/16	65-3/16	2715	2986	3258
445	82-5/8	83-1/2	83-1/2	2-7/16	2-11/16	2-15/16	67-3/4	33-7/8	24	23	1-1/16	71-5/8	3220	3543	3865
490	89-1/2	90-3/8	90-5/8	2-15/16	3-7/16	3-7/16	73-5/8	36-13/16	26-1/2	26	1-1/16	77-1/2	3787	4165	4544
540	98-5/16	99-15/16	100-3/16	3-7/16	3-15/16	3-15/16	81-7/16	40-23/32	29	29	1-1/16	88-5/16	4460	4906	5352
600	107-1/2	108-3/4	110-3/4	3-7/16	3-15/16	4-7/16	89-3/4	44-7/8	32	32	1-1/16	96-5/8	5329	5862	6395
660	117-7/8	118-5/8	119-7/8	3-15/16	4-7/16	4-7/16	98-3/8	49-3/16	35	36	1-1/16	105-1/4	6265	6892	7518
730	129-1/4	130-3/4	131-1/4	4-7/16	4-7/16	4-15/16	108-1/4	54-1/8	38-1/2	40	1-1/16	115-1/8	7442	8186	8930

ALL DIMENSIONS IN INCHES. WEIGHTS IN LBS., LESS MOTOR.

CA503R02