



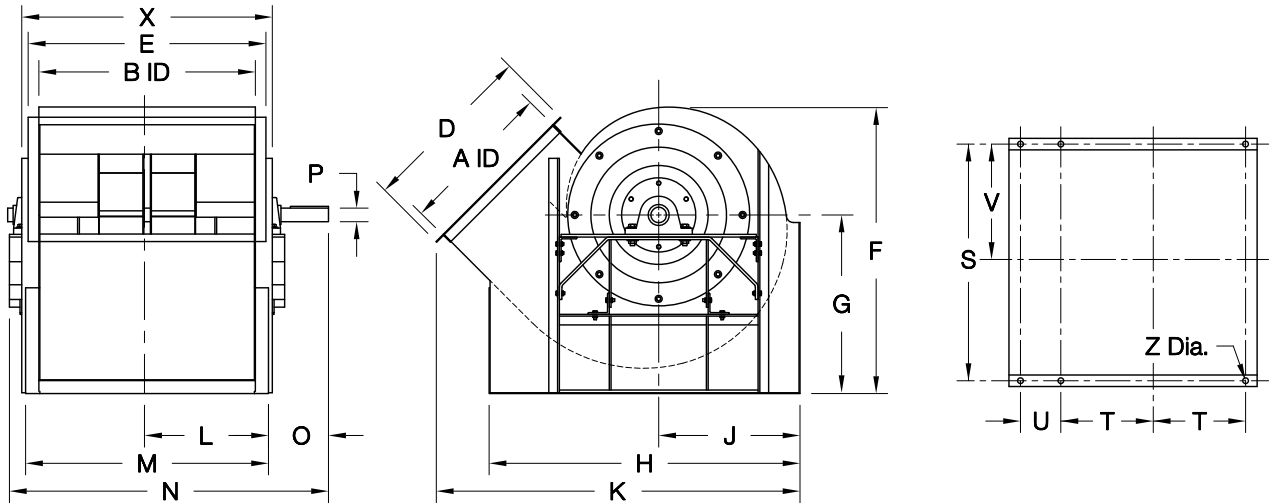
COOK

CA DWDI

DATE: _____
 PROJECT: _____
 LOCATION: _____



Airfoil Centrifugal Blower
Clockwise Bottom Angular Up
Arrangement 3



DIMENSION DATA

Size	A	B	D	E	F	G	H	J	K	L	M	N		
												Class I	Class II	Class III
120	12-1/8	17-11/16	15-1/2	21-1/16	25	16	26	12	31-1/16	10-7/8	21-11/16	28-11/16	29-7/16	29-15/16
135	13-5/8	19-15/16	17	23-5/16	27	17	29	13	33-7/8	12	23-15/16	30-15/16	31-11/16	32-11/16
150	15-1/4	22	18-5/8	25-3/8	30-1/8	19	32	14	36-9/16	13	26	34-1/4	34-3/4	35-1/2
165	16-15/16	24	20-5/16	27-3/8	33-1/4	21	35	16	40-7/16	14	28	36-1/4	36-3/4	37-1/2
180	18-1/2	26-1/16	21-7/8	29-7/16	35-3/8	22	37	17	43-1/8	15	30-1/16	38-13/16	39-5/16	40-1/16
195	19-1/2	28-7/16	22-7/8	31-13/16	38-3/8	24	40	18	46-3/16	16-1/4	32-7/16	41-11/16	42-3/16	42-15/16
210	21-5/8	30-3/8	25	33-3/4	41-5/8	26	44	20	51-1/4	17-3/16	34-3/8	44-1/8	44-5/8	45-3/8
225	23-3/16	32-1/2	26-9/16	35-7/8	44-3/4	28	46	21	53-1/4	18-1/4	36-1/2	46-1/4	47	47-1/2
245	25-1/2	35-1/16	28-7/8	38-7/16	48-1/4	30	50	23	58	19-1/2	39-1/16	49-13/16	50-1/16	50-11/16
270	27-1/2	39-7/16	30-7/8	42-13/16	53	33	55	25	63-7/16	21-3/4	43-7/16	54-3/16	54-15/16	55-1/16
300	31-3/16	43	34-5/8	46-7/16	58-1/4	36	61	28	70-9/16	23-1/2	47	58-1/2	59	59-3/8
330	34-1/2	47-1/16	38-15/16	51-1/2	63-1/2	39	68	31	78	25-1/2	51-1/16	63-9/16	63-11/16	63-15/16
365	38-11/16	52-3/16	43-1/8	56-5/8	70	43	74	34	85-3/4	28-1/8	56-3/16	69-5/16	69-9/16	70-1/16
402	41-3/4	57-13/16	46-3/16	62-1/4	76-3/4	47	80	37	96-3/16	31-7/8	63-13/16	75-11/16	75-11/16	76-3/16
445	45-15/16	64-1/4	50-3/8	68-11/16	85	52	89	41	104-1/4	35-1/8	70-1/4	82-5/8	83-1/2	83-1/2
490	51	70-1/8	55-7/16	74-9/16	93-1/4	57	98	45	114-1/8	38-1/16	76-1/8	89-1/2	90-3/8	90-5/8
540	55-3/4	77-15/16	60-3/16	82-3/8	101-7/8	62	106	49	124-7/8	42	83-15/16	98-5/16	99-15/16	100-3/16
600	62-3/16	86-1/4	66-5/8	90-11/16	113-3/8	69	118	54	138-1/4	46-1/8	92-1/4	107-1/2	108-3/4	110-3/4
660	68-7/16	94-7/8	72-7/8	99-5/16	123-3/4	75	130	60	152-1/2	50-7/16	100-7/8	117-7/8	118-5/8	119-7/8
730	75-13/16	104-3/4	80-1/4	109-3/16	137	83	143	66	169-1/8	55-3/8	110-3/4	129-1/4	130-3/4	131-1/4

Size	O			P			S	T	U	V	X	Z	Shipping Weight		
	Class I	Class II	Class III	Class I	Class II	Class III							Class I	Class II	Class III
120	5-3/4	6-1/8	6-3/8	1-7/16	1-11/16	1-15/16	19-15/16	7-1/2	-	10	21-15/16	11/16	252	277	302
135	5-3/4	6-1/8	6-5/8	1-7/16	1-11/16	2-3/16	22-3/16	8-1/2	-	11-1/8	24-3/16	11/16	346	380	415
150	6-5/8	6-7/8	7-1/4	1-11/16	1-15/16	2-7/16	24-1/4	9	-	12-1/8	26-1/4	11/16	444	488	532
165	6-5/8	6-7/8	7-3/16	1-11/16	1-15/16	2-7/16	26-1/4	10	-	13-1/8	28-1/4	11/16	546	600	655
180	7-1/8	7-3/8	7-3/4	1-11/16	1-15/16	2-7/16	28-5/16	11	-	14-1/8	30-5/16	11/16	652	717	782
195	7-1/4	7-5/8	8	1-15/16	2-3/16	2-11/16	30-11/16	11-1/2	6	15-3/8	32-11/16	11/16	762	839	915
210	7-7/8	8-1/8	8-1/2	1-15/16	2-3/16	2-11/16	32-5/8	12	7	16-5/16	34-5/8	13/16	877	965	1053
225	7-7/8	8-1/4	8-1/2	1-15/16	2-7/16	2-15/16	34-3/4	12-1/2	7-1/2	17-3/8	36-3/4	13/16	996	1096	1195
245	8-5/8	8-3/4	8-3/4	2-3/16	2-7/16	2-3/16	37-5/16	13-1/2	8	18-5/8	41-5/16	13/16	1161	1277	1393
270	8-5/8	9	8-3/4	2-3/16	2-11/16	2-3/16	41-11/16	15	9	20-7/8	45-11/16	13/16	1378	1515	1653
300	9-1/4	9-1/2	9-1/2	2-7/16	2-11/16	2-7/16	45-1/4	16-1/2	10	22-5/8	49-1/4	13/16	1653	1818	1984
330	10-1/16	9-5/8	10	2-11/16	2-3/16	2-7/16	49-5/16	18	12	24-5/8	53-7/16	13/16	1945	2140	2334
365	10-5/16	10-1/2	10-1/2	2-3/16	2-7/16	2-11/16	54-7/16	20	13	27-1/4	58-9/16	13/16	2307	2538	2769
402	10	10	10-1/2	2-7/16	2-7/16	2-11/16	61-5/16	22	14	30-5/8	65-3/16	1-1/16	2715	2986	3258
445	10-5/8	11	11	2-7/16	2-11/16	2-15/16	67-3/4	24	16	33-7/8	71-5/8	1-1/16	3220	3543	3865
490	11-1/2	12	12	2-15/16	3-7/16	3-7/16	73-5/8	26-1/2	18	36-13/16	77-1/2	1-1/16	3787	4165	4544
540	12-7/16	13-3/4	14-3/16	3-7/16	3-15/16	3-15/16	81-7/16	29	20	40-3/4	88-5/16	1-1/16	4460	4906	5352
600	13	14-1/4	14-3/4	3-7/16	3-15/16	4-7/16	89-3/4	32	22	44-7/8	96-5/8	1-1/16	5329	5862	6395
660	14-13/16	15-5/16	14-5/8	3-15/16	4-7/16	4-7/16	98-3/8	35	25	49-3/16	105-1/4	1-1/16	6265	6892	7518
730	16-5/16	16-1/4	16-3/4	4-7/16	4-7/16	4-15/16	108-1/4	38-1/2	28	54-1/8	115-1/8	1-1/16	7442	8186	8930

ALL DIMENSIONS IN INCHES. WEIGHTS IN LBS., LESS MOTOR.

CA511R02