



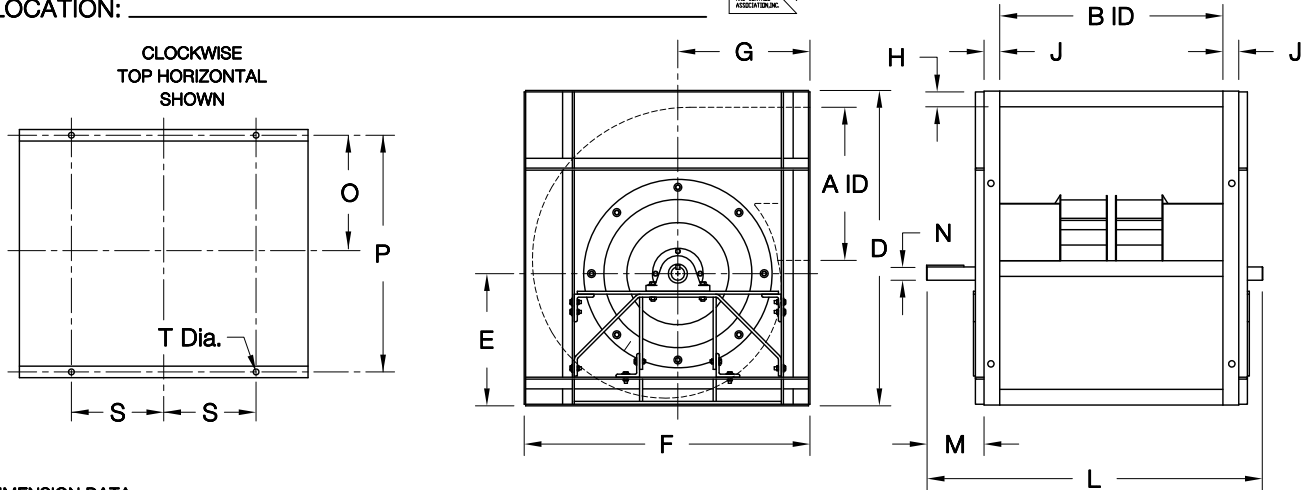
COOK

CA-4 DWDI

DATE: _____
 PROJECT: _____
 LOCATION: _____



**Airfoil Centrifugal Blower
 Arrangement 3**

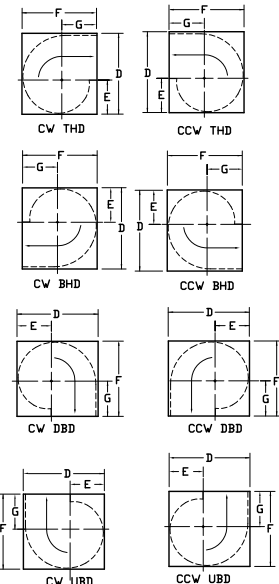


DIMENSION DATA

Size	A	B	D	E	F	G	H	J	L			M		
									Class I	Class II	Class III	Class I	Class II	Class III
120	12-1/8	17-11/16	25-15/16	10-3/4	22-3/4	10-3/8	2	2	28-11/16	29-7/16	29-15/16	5-3/4	6-1/8	6-3/8
135	13-5/8	19-15/16	28-13/16	12	25-1/2	11-5/8	2	2	30-15/16	31-11/16	32-11/16	5-3/4	6-1/8	6-5/8
150	15-1/4	22	31-11/16	13-1/4	28-1/8	12-7/8	2	2	34-1/4	34-3/4	35-1/2	6-5/8	6-7/8	7-1/4
165	16-15/16	24	34-7/16	14-3/8	30-7/8	14-1/4	2	2	36-1/4	36-3/4	37-1/2	6-5/8	6-7/8	7-3/16
180	18-1/2	26-1/16	37-5/16	15-5/8	33-5/8	15-1/2	2	2	38-13/16	39-5/16	40-1/16	7-1/8	7-3/8	7-3/4
195	19-1/2	28-7/16	40-1/16	16-3/4	36-1/4	16-3/4	2	2	41-11/16	42-3/16	42-15/16	7-1/4	7-5/8	8
210	21-5/8	30-3/8	42-15/16	18	39-1/8	18-1/8	2	2	44-1/8	44-5/8	45-3/8	7-7/8	8-1/8	8-1/2
225	23-3/16	32-1/2	45-13/16	19-1/4	41-3/4	19-3/8	2	2	46-1/4	47	47-1/2	7-7/8	8-1/4	8-1/2
245	25-1/2	35-1/16	49-5/8	20-7/8	45-3/8	21-1/8	2	2	49-13/16	50-1/16	50-11/16	8-5/8	8-3/4	8-3/4
270	27-1/2	39-7/16	54-7/8	23-3/8	49-7/8	23-1/4	2	2	54-3/16	54-15/16	55-1/16	8-5/8	9	8-3/4
300	31-3/16	43	60-1/8	25-3/8	55-3/8	25-7/8	2	2	58-1/2	59	59-3/8	9-1/4	9-1/2	9-1/2
330	34-1/2	47-1/16	65-15/16	27-7/8	60-3/4	28-3/8	2	2	63-9/16	63-11/16	63-15/16	10-1/16	9-5/8	10
365	38-11/16	52-3/16	72-1/2	30-5/8	67	31-3/8	2	2	69-5/16	69-9/16	70-1/16	10-5/16	10-1/2	10-1/2
402	41-3/4	57-13/16	80-9/16	33-5/8	73-7/8	34-5/8	3	3	75-11/16	75-11/16	76-3/16	10	10	10-1/2
445	45-15/16	64-1/4	88-11/16	37-1/8	81-1/2	38-1/4	3	3	82-5/8	83-1/2	83-1/2	10-5/8	11	11
490	51	70-1/8	97-3/16	40-3/4	89-3/4	42-1/4	3	3	89-1/2	90-3/8	90-5/8	11-1/2	12	12
540	55-3/4	77-15/16	106-3/4	44-7/8	98-3/4	46-1/2	3	3	98-5/16	99-15/16	100-3/16	12-7/16	13-3/4	14-3/16
600	62-3/16	86-1/4	118-1/8	49-3/4	109-5/8	51-5/8	3	3	107-1/2	108-3/4	110-3/4	13	14-1/4	14-3/4

Size	N			O	P	S	T	Shipping Weight		
	Class I	Class II	Class III					Class I	Class II	Class III
120	1-7/16	1-11/16	1-15/16	9-31/32	19-15/16	7-1/2	11/16	265	291	318
135	1-7/16	1-11/16	2-3/16	11-3/32	22-3/16	8-1/2	11/16	363	399	436
150	1-11/16	1-15/16	2-7/16	12-1/8	24-1/4	9	11/16	466	512	559
165	1-11/16	1-15/16	2-7/16	13-1/8	26-1/4	10	11/16	573	630	688
180	1-11/16	1-15/16	2-7/16	14-5/32	28-5/16	11	11/16	685	753	822
195	1-15/16	2-3/16	2-11/16	15-11/32	30-11/16	11-1/2	11/16	801	881	961
210	1-15/16	2-3/16	2-11/16	6-5/16	32-5/8	12	15/16	921	1013	1105
225	1-15/16	2-7/16	2-15/16	17-3/8	34-3/4	12-1/2	15/16	1046	1150	1255
245	2-3/16	2-7/16	2-3/16	18-21/32	37-5/16	13-1/2	15/16	1219	1341	1463
270	2-3/16	2-11/16	2-3/16	20-27/32	41-11/16	15	15/16	1447	1591	1736
300	2-7/16	2-11/16	2-7/16	22-5/8	45-1/4	16-1/2	15/16	1736	1909	2083
330	2-11/16	2-3/16	2-7/16	24-21/32	49-5/16	18	15/16	2043	2247	2451
365	2-3/16	2-7/16	2-11/16	27-7/32	54-7/16	20	15/16	2423	2665	2907
402	2-7/16	2-7/16	2-11/16	30-21/32	61-5/16	22	1-1/16	2851	3136	3421
445	2-7/16	2-11/16	2-15/16	33-7/8	67-3/4	24	1-1/16	3382	3720	4058
490	2-15/16	3-7/16	3-7/16	36-13/16	73-5/8	26-1/2	1-1/16	3976	4373	4771
540	3-7/16	3-15/16	3-15/16	40-23/32	81-7/16	29	1-1/16	4683	5151	5619
600	3-7/16	3-15/16	4-7/16	44-7/8	89-3/4	32	1-1/16	5595	6155	6714

ALL DIMENSIONS IN INCHES. WEIGHTS IN LBS., LESS MOTOR.



CA601R03