

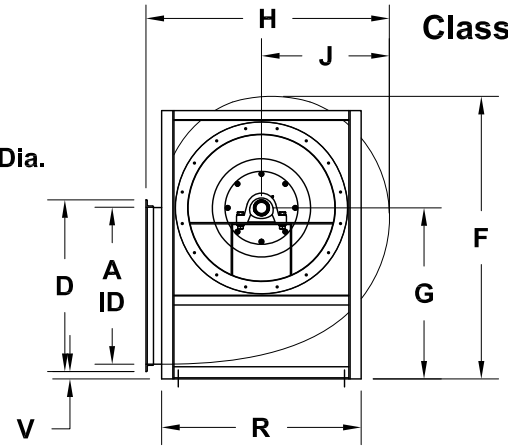
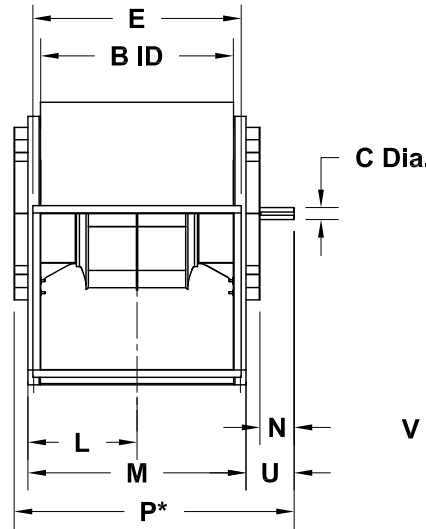
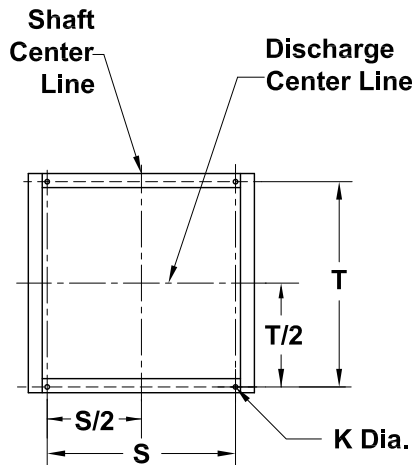
MARK: _____

PROJECT: _____

DATE: _____



**Centrifugal Airfoil Blower
Clockwise Bottom Horizontal
Arrangement 3
Low Profile
Class II**



DIMENSION DATA

Size	A	B	C	D	E	F	G	H	J	K
120	12-1/8	17-11/16	1-7/16	14-1/4	19-13/16	24	14-3/4	20-1/16	10-7/16	15/16
135	13-5/8	19-15/16	1-7/16	15-3/4	22-1/16	26-13/16	16-7/16	22-9/16	11-3/4	15/16
150	15-1/4	22	1-15/16	17-3/8	24-1/8	29-7/16	17-15/16	25-1/16	13-1/16	15/16
165	16-15/16	24	1-15/16	19-1/16	26-1/8	32-3/16	19-1/2	27-1/2	14-3/8	15/16
180	18-1/2	26-1/16	1-15/16	20-5/8	28-3/16	34-15/16	21-1/8	30	15-11/16	15/16
195	19-1/2	28-7/16	1-15/16	21-11/16	30-5/8	37-11/16	22-3/4	32-7/16	16-15/16	15/16
210	21-5/8	30-3/8	2-3/16	23-13/16	32-9/16	40-7/16	24-3/8	34-15/16	18-1/4	15/16
225	23-3/16	32-1/2	2-3/16	26-3/8	35-11/16	43-11/16	26-7/16	37-3/8	19-9/16	15/16
245	25-1/2	35-1/16	2-7/16	28-11/16	38-1/4	47-5/16	28-9/16	40-11/16	21-5/16	15/16
270	27-1/2	39-7/16	2-7/16	30-11/16	42-5/8	51-7/8	31-3/16	44-13/16	23-1/2	15/16
300	31-3/16	43	2-11/16	34-3/8	46-3/16	57-5/16	34-3/8	49-3/4	26-1/16	1-1/16
330	34-1/2	47-1/16	2-15/16	38-3/4	51-5/16	63-5/16	38-1/16	54-11/16	28-11/16	1-1/16
365	38-11/16	52-3/16	3-7/16	42-15/16	56-7/16	69-11/16	41-13/16	60-1/2	31-3/4	1-1/16
402	41-3/4	57-13/16	3-7/16	46-1/8	62-1/16	77-3/8	46-5/8	66-5/8	34-15/16	1-1/16
445	45-15/16	64-1/4	2-7/16	50-5/16	68-9/16	85-1/4	51-3/16	73-11/16	38-11/16	1-1/16
490	51	70-1/8	2-15/16	55-7/16	74-7/16	94-7/16	56-15/16	81-1/8	42-9/16	1-1/16
540	55-3/4	77-15/16	3-7/16	61-1/8	83-1/8	103-11/16	62-5/16	89-3/8	46-15/16	1-1/16
600	62-3/16	86-1/4	3-7/16	67-9/16	91-7/16	115-9/16	69-5/8	99-5/16	52-3/16	1-1/16
660	68-7/16	94-7/8	3-7/16	73-13/16	100-1/4	126-1/2	76	109-3/16	57-3/8	1-1/16
730	75-13/16	104-3/4	3-15/16	81-5/16	110-1/8	139-5/16	83-7/16	120-3/4	63-1/2	1-1/16

*P dimension is the overall width.

Size	L	M	N	P	R	S	T	U	V	Approx. Ship Wt.
120	10-15/16	21-13/16	3-3/4	28-3/16	19-1/4	14-3/8	20	5-5/16	1	197
135	12-1/16	24-1/16	3-7/8	30-9/16	21	16-1/8	22-1/4	5-7/16	1-1/16	220
150	13-1/16	26-1/8	3-7/8	33-1/8	23-1/2	17-3/4	24-3/8	5-15/16	1	274
165	14-1/16	28-1/8	3-7/8	35-3/16	25-1/4	19-1/2	26-3/8	5-15/16	1	309
180	15-1/8	30-3/16	3-7/8	37-1/4	26-3/4	21	28-7/16	5-15/16	1	340
195	16-5/16	32-9/16	3-7/8	39-5/8	28-1/2	22-3/4	30-13/16	5-15/16	1	435
210	17-1/4	34-1/2	4-1/4	42-7/16	30	24-1/4	32-3/4	6-13/16	1	473
225	18-5/16	36-5/8	4-1/4	44-9/16	31-3/4	26	34-7/8	6-13/16	1	551
245	19-5/8	39-3/16	4-3/8	47-1/4	33-3/4	28	37-7/16	6-15/16	1	623
270	22-5/16	44-9/16	4-3/8	51-5/8	37-1/2	30-1/4	42-5/16	6-7/16	1	727
300	24-1/16	48-1/8	4-3/4	56-1/8	40-1/2	33-1/4	45-7/8	7-3/8	1	921
330	26-5/8	53-3/16	4-7/8	60-5/16	41-9/16	36-1/8	50-9/16	7	1	1116
365	29-3/16	58-5/16	5-3/8	65-15/16	45-5/16	39-7/8	55-11/16	7-1/2	1	1335
402	33	66	5-7/8	73	49-11/16	43	62-1/2	7	1-15/16	1853
445	36-1/4	72-7/16	6-1/8	79-11/16	53-15/16	47-1/4	68-15/16	7-1/4	1-15/16	2132
490	40-3/16	80-5/16	7-1/2	87-15/16	59	51	75-13/16	7-5/8	2-15/16	2590
540	44-1/8	88-3/16	8-7/8	98-11/16	64	56	83-11/16	10-1/2	2-1/2	3666
600	49-1/4	98-1/2	8-7/8	108	70-9/16	61	93	9-1/2	3-7/16	4147
660	53-9/16	107-1/8	8-7/8	116-5/8	76-9/16	67	101-5/8	9-1/2	3-7/16	4962
730	58-9/16	117-1/8	9	126-3/4	83-9/16	74	111-5/8	9-5/8	3-7/16	7059

ALL DIMENSIONS IN INCHES. ALL WEIGHTS IN POUNDS, LESS MOTOR & DRIVES