



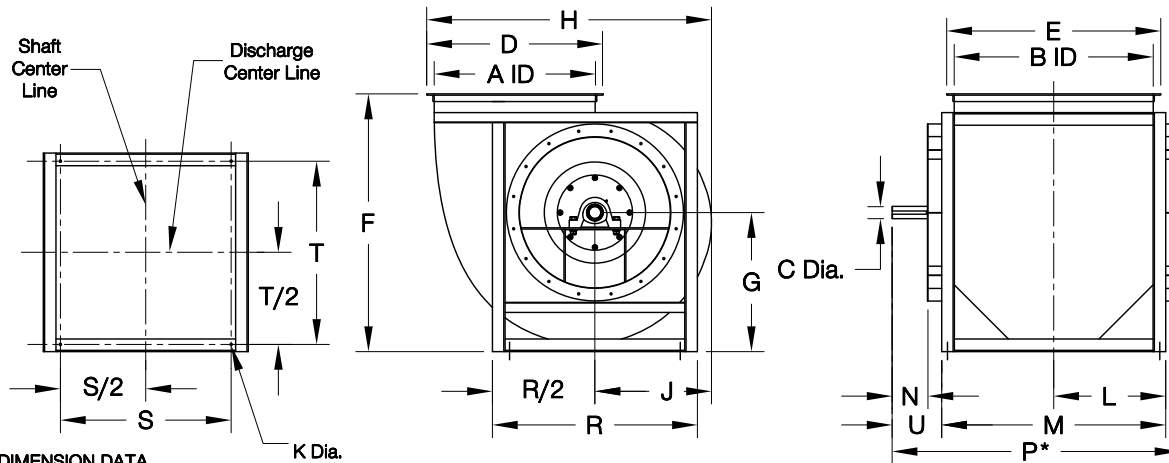
COOK

CAF-DW

DATE: _____
 PROJECT: _____
 LOCATION: _____



Centrifugal Airfoil Blower
Clockwise Upblast
Arrangement 3
Low Profile
Class II



DIMENSION DATA

Size	A	B	C	D	E	F	G	H	J	K
120	12-1/8	17-11/16	1-7/16	14-1/4	19-13/16	21-1/16	11-7/16	23	9-1/4	15/16
135	13-5/8	19-15/16	1-7/16	15-3/4	22-1/16	23-9/16	12-3/4	25-3/4	10-3/8	15/16
150	15-1/4	22	1-15/16	17-3/8	24-1/8	26-1/16	14-1/16	28-7/16	11-1/2	15/16
165	16-15/16	24	1-15/16	19-1/16	26-1/8	28-1/2	15-3/8	31-3/16	12-11/16	15/16
180	18-1/2	26-1/16	1-15/16	20-3/4	28-3/16	31	16-11/16	34	13-13/16	15/16
195	19-1/2	28-7/16	1-15/16	21-5/8	30-9/16	33-7/16	17-15/16	36-5/8	14-15/16	15/16
210	21-5/8	30-3/8	2-3/16	23-13/16	32-9/16	35-15/16	19-1/4	39-7/16	16-1/8	15/16
225	23-3/16	32-1/2	2-3/16	26-3/8	35-11/16	38-3/8	20-9/16	42-11/16	17-1/4	15/16
245	25-1/2	35-1/16	2-7/16	28-11/16	38-1/4	41-11/16	22-5/16	46-5/16	18-3/4	15/16
270	27-1/2	39-7/16	2-7/16	30-11/16	42-5/8	45-13/16	24-1/2	50-7/8	20-11/16	15/16
300	31-3/16	43	2-11/16	34-3/8	46-3/16	50-3/4	27-1/16	56-5/16	22-15/16	1-1/16
330	34-1/2	47-1/16	2-15/16	38-3/4	51-5/16	55-11/16	29-11/16	62-5/16	25-1/4	1-1/16
365	38-11/16	52-3/16	3-7/16	42-15/16	56-7/16	61-1/2	32-3/4	68-11/16	27-15/16	1-1/16
402	41-3/4	57-13/16	3-7/16	46-1/8	62-1/16	67-9/16	35-15/16	75-1/2	30-3/4	1-1/16
445	45-15/16	64-1/4	2-7/16	50-5/16	68-9/16	74-11/16	39-11/16	83-5/16	34-1/16	1-1/16
490	51	70-1/8	2-15/16	55-7/16	74-7/16	82-1/8	43-9/16	91-1/2	37-1/2	1-1/16
540	55-3/4	77-15/16	3-7/16	61-1/8	83-1/8	90-3/8	47-15/16	101-3/16	41-5/16	1-1/16
600	62-3/16	86-1/4	3-7/16	67-9/16	91-7/16	100-5/16	53-3/16	112-1/8	45-15/16	1-1/16
660	68-7/16	94-7/8	3-7/16	73-13/16	100-1/4	110-3/16	58-3/8	123-1/16	50-1/2	1-1/16
730	75-13/16	104-3/4	3-15/16	81-5/16	110-1/8	121-13/16	64-1/2	135-7/8	55-7/8	1-1/16

*P dimension is the overall width.

Size	L	M	N	P	R	S	T	U	Approx. Ship Wt.
120	10-15/16	21-13/16	3-3/4	28-3/16	19-1/4	14-3/8	19-15/16	5-5/16	196
135	12-1/16	24-1/16	3-7/8	30-9/16	21	16-1/8	22-3/16	5-7/16	219
150	13-1/16	26-1/8	3-7/8	33-1/8	23-1/2	17-3/4	24-3/8	5-15/16	274
165	14-1/16	28-1/8	3-7/8	35-3/16	25-1/4	19-1/2	26-3/8	5-15/16	310
180	15-1/8	30-3/16	3-7/8	37-1/4	26-3/4	21	28-7/16	5-15/16	337
195	16-5/16	32-9/16	3-7/8	39-5/8	28-1/2	22-3/4	30-13/16	5-15/16	426
210	17-1/4	34-1/2	4-1/4	42-7/16	30	24-1/4	32-3/4	6-13/16	452
225	18-5/16	36-5/8	4-1/4	44-9/16	31-3/4	26	34-7/8	6-13/16	537
245	19-5/8	39-3/16	4-3/8	47-1/4	33-3/4	28	37-7/16	6-15/16	608
270	22-5/16	44-9/16	4-3/8	51-5/8	37-1/2	30-1/4	42-5/16	6-7/16	711
300	24-1/16	48-1/8	4-3/4	56-1/8	40-1/2	33-1/4	45-7/8	7-3/8	906
330	26-5/8	53-3/16	4-7/8	60-5/16	41-1/2	36-1/8	50-9/16	7	1097
365	29-3/16	58-5/16	5-3/8	65-15/16	45-1/4	39-7/8	55-11/16	7-1/2	1317
402	33	66	5-7/8	73	49-11/16	43	62-1/2	7	1827
445	36-1/4	72-7/16	6-1/8	79-11/16	53-15/16	47-1/4	68-15/16	7-1/4	2104
490	40-3/16	80-5/16	7-1/2	87-15/16	59	51	75-13/16	7-5/8	2567
540	44-1/8	88-3/16	8-7/8	98-11/16	64	56	83-11/16	10-1/2	3425
600	49-1/4	98-1/2	8-7/8	108	70-9/16	61	93	9-1/2	4141
660	53-9/16	107-1/8	8-7/8	116-5/8	76-9/16	67	101-5/8	9-1/2	4955
730	58-9/16	117-1/8	9	126-3/4	83-9/16	74	111-5/8	9-5/8	6735

ALL DIMENSIONS IN INCHES. ALL WEIGHTS IN POUNDS, LESS MOTOR AND DRIVES.

CA715R01