



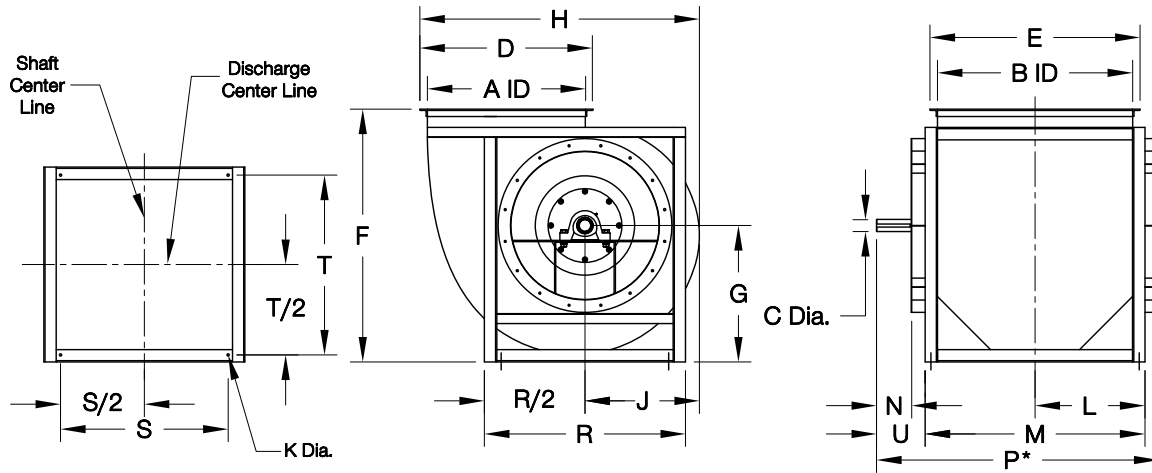
COOK

CAF-DW

DATE: _____
 PROJECT: _____
 LOCATION: _____



Centrifugal Airfoil Blower
Clockwise Upblast
Arrangement 3
Low Profile
Class III



*P dimension is the overall width.

DIMENSION DATA

Size	A	B	C	D	E	F	G	H	J	K
120	12-1/8	17-11/16	1-11/16	14-1/4	19-13/16	21-1/16	11-7/16	23	9-1/4	15/16
135	13-5/8	19-15/16	1-15/16	15-3/4	22-1/16	23-9/16	12-3/4	25-3/4	10-3/8	15/16
150	15-1/4	22	1-15/16	17-3/8	24-1/8	26-1/16	14-1/16	28-7/16	11-1/2	15/16
165	16-15/16	24	2-3/16	19-1/16	26-1/8	28-1/2	15-3/8	31-3/16	12-11/16	15/16
180	18-1/2	26-1/16	2-3/16	20-5/8	28-3/16	31	16-11/16	33-15/16	13-13/16	15/16
195	19-1/2	28-7/16	2-3/16	23-5/8	32-9/16	33-1/2	18	37-11/16	14-15/16	15/16
210	21-5/8	30-3/8	2-3/16	25-3/4	34-1/2	36	19-5/16	40-3/8	16-1/8	15/16
225	23-3/16	32-1/2	2-3/16	27-7/16	36-11/16	38-3/8	20-9/16	43-3/16	17-1/4	15/16
245	25-1/2	35-1/16	2-7/16	29-3/4	39-1/4	41-11/16	22-5/16	46-13/16	18-3/4	1-1/16
270	27-1/2	39-7/16	2-7/16	31-3/4	43-5/8	45-13/16	24-1/2	51-3/8	20-11/16	1-1/16
300	31-3/16	43	2-7/16	35-7/16	47-3/16	50-3/4	27-1/16	56-7/8	22-15/16	1-1/16
330	34-1/2	47-1/16	2-7/16	38-7/8	51-5/16	55-3/4	29-11/16	62-3/8	25-5/16	1-1/16
365	38-11/16	52-3/16	2-15/16	44-1/16	57-7/16	61-1/2	32-3/4	69-1/4	27-15/16	1-1/16
402	41-3/4	57-13/16	3-7/16	47-1/8	63-1/16	67-9/16	35-15/16	76	30-3/4	1-1/16
445	45-15/16	64-1/4	3-7/16	51-5/16	69-9/16	74-11/16	39-11/16	83-7/8	34-1/16	1-1/16
490	51	70-1/8	3-15/16	56-3/8	75-7/16	82-3/16	43-5/8	92-1/16	37-1/2	1-1/16
540	55-3/4	77-15/16	4-7/16	61-1/4	83-3/8	90-7/16	48	101-1/4	41-3/8	1-3/16
600	62-3/16	86-1/4	4-15/16	67-3/4	91-11/16	100-5/16	53-3/16	112-3/16	45-15/16	1-3/16

Size	L	M	N	P	R	S	T	U	Approx. Ship Wt.
120	11-15/16	23-13/16	6-1/2	31-7/16	19	14-1/2	20-1/16	7-9/16	235
135	13-1/16	26-1/16	6-1/2	33-11/16	20-3/4	16-1/4	22-5/16	7-9/16	278
150	14-1/16	28-1/8	6-1/2	35-3/4	22-1/4	17-3/4	24-3/8	7-9/16	318
165	15-1/16	30-1/8	6-1/2	38-5/16	24	19-1/2	26-3/8	8-1/16	375
180	16-1/8	32-3/16	6-1/2	40-3/8	25-1/2	21	28-7/16	8-1/16	396
195	17-5/16	34-9/16	6-1/2	42-3/4	27-1/4	22-1/4	31-5/16	8-1/16	487
210	18-1/4	36-1/2	7	45-3/16	28-3/4	23-3/4	33-1/4	8-9/16	540
225	19-5/16	38-5/8	7	47-5/16	30-1/2	25-1/2	35-3/8	8-9/16	601
245	21-5/8	43-3/16	7	50-13/16	32-15/16	27-1/8	38-9/16	7-9/16	734
270	23-13/16	47-9/16	7-1/8	55-5/16	35-11/16	29-7/8	42-15/16	7-11/16	849
300	25-9/16	51-1/8	7-1/8	58-7/8	38-11/16	32-7/8	46-1/2	7-3/4	1035
330	28-5/8	57-1/4	7-1/8	64	42-1/4	35-1/4	51-3/4	6-3/4	1353
365	31-3/16	62-3/8	7-5/8	70-1/8	46	39	56-7/8	7-3/4	1697
402	35	70	10-1/8	80-3/4	50-9/16	42	63-1/2	10-3/4	2260
445	38-1/4	76-1/2	10-1/8	87-1/4	54-13/16	46-1/4	70	10-3/4	2831
490	43-3/16	86-3/8	13-1/2	98-1/2	60	50	76-7/8	12-1/8	3445
540	47-1/8	94-5/16	15-3/4	110-11/16	65	55	84-13/16	16-3/8	4727
600	51-5/16	102-5/8	15-7/8	118-5/8	71	61	93-1/8	16	5642

ALL DIMENSIONS IN INCHES. ALL WEIGHTS IN POUNDS, LESS MOTOR AND DRIVES.