



COOK

CAF-DW

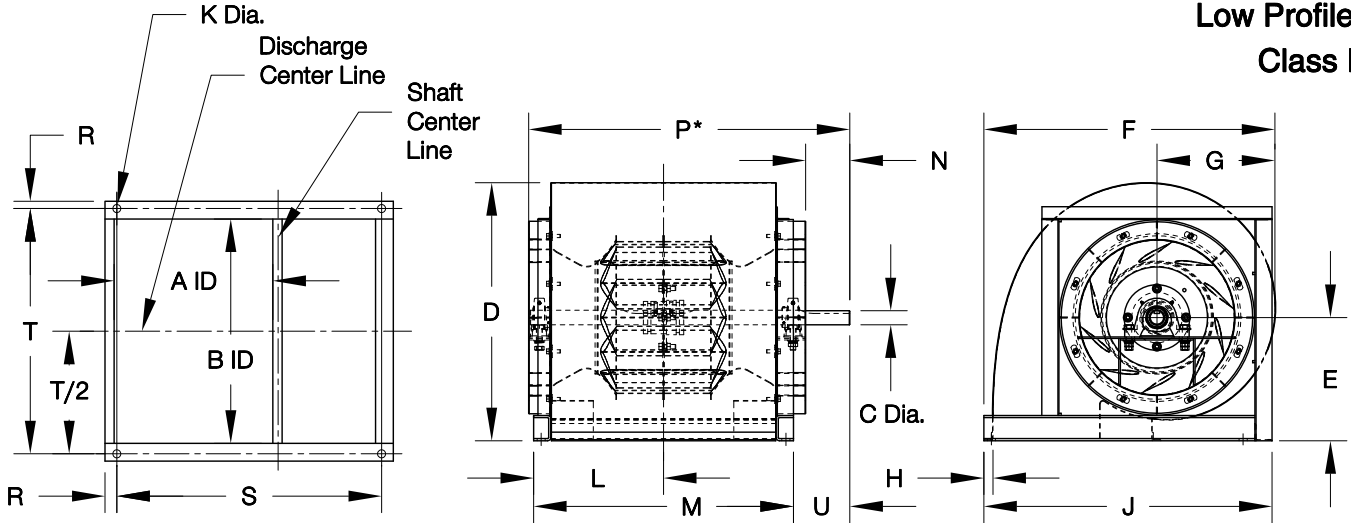
DATE: _____

PROJECT: _____

LOCATION: _____



Centrifugal Airfoil Blower
Counterclockwise Downblast
Arrangement 3
Low Profile
Class I



DIMENSION DATA

Size	A	B	C	D	E	F	G	H	J	K
120	12-1/8	17-11/16	1-7/16	20-1/16	9-5/8	23-3/8	9-5/8	1-1/16	23-3/8	9/16
135	13-5/8	19-15/16	1-7/16	22-9/16	10-13/16	25-7/8	10-1/2	1-1/16	25-7/8	9/16
150	15-1/4	22	1-7/16	25-1/16	12	28-7/16	11-1/2	1-1/16	28-3/16	9/16
165	16-15/16	24	1-11/16	27-1/2	13-1/8	31-3/16	12-11/16	1-1/16	30-5/8	15/16
180	18-1/2	26-1/16	1-11/16	30	14-5/16	33-15/16	13-13/16	1-1/16	33-1/2	15/16
195	19-1/2	28-7/16	1-11/16	32-7/16	15-1/2	36-5/8	14-15/16	1-1/16	35-15/16	15/16
210	21-5/8	30-3/8	1-11/16	34-15/16	16-11/16	39-3/8	16-1/8	1-1/16	38-5/16	15/16
225	23-3/16	32-1/2	1-15/16	37-3/8	17-13/16	42-5/8	17-1/4	1-9/16	41-1/4	15/16
245	25-1/2	35-1/16	1-15/16	40-11/16	19-3/8	46-1/4	18-3/4	1-9/16	44-3/8	15/16
270	27-1/2	39-7/16	2-3/16	44-13/16	21-5/16	50-13/16	20-11/16	1-9/16	48-7/8	15/16
300	31-3/16	43	2-3/16	49-3/4	23-11/16	56-1/4	22-15/16	1-9/16	53-9/16	15/16
330	34-1/2	47-1/16	2-7/16	54-11/16	26	62-1/4	25-1/4	2-1/16	57-13/16	15/16
365	38-11/16	52-3/16	2-11/16	60-1/2	28-3/4	68-5/8	27-15/16	2-1/16	63-3/8	15/16
402	41-3/4	57-13/16	2-15/16	66-9/16	31-11/16	75-3/8	30-3/4	2-1/16	69-7/16	15/16
445	45-15/16	64-1/4	2-15/16	73-11/16	35	83-1/4	34-1/16	2-1/8	76-3/16	1-1/16
490	51	70-1/8	3-7/16	81-1/8	38-9/16	91-7/16	37-1/2	2-1/8	83-5/16	1-1/16
540	55-3/4	77-15/16	2-15/16	89-3/8	42-7/16	100-9/16	41-5/16	2-1/8	91-1/16	1-1/16
600	62-3/16	86-1/4	2-15/16	99-5/16	47-1/8	111-9/16	45-15/16	2-1/8	100-5/8	1-1/16
660	68-7/16	94-7/8	3-7/16	109-3/16	51-13/16	122-1/2	50-1/2	2-1/8	110-1/4	1-1/16
730	75-13/16	104-3/4	3-7/16	120-11/16	57-5/16	135-3/4	55-13/16	2-5/8	121-11/16	1-1/16

*P dimension is the overall width.

Size	L	M	N	P	R	S	T	U	Approx. Ship Weight
120	10-7/16	20-13/16	2-3/4	26-11/16	11/16	20-1/2	19-1/2	4-5/16	178
135	11-9/16	23-1/16	2-3/4	28-15/16	11/16	23	21-3/4	4-5/16	200
150	13-1/16	26-1/8	3-3/8	31-5/8	7/8	24-15/16	24-3/8	4-7/16	243
165	14-1/16	28-1/8	3-3/8	33-11/16	7/8	27-3/8	26-3/8	4-7/16	287
180	15-1/8	30-3/16	3-3/4	36-1/8	7/8	29-3/4	28-7/16	4-13/16	321
195	16-5/16	32-9/16	3-3/4	38-1/2	7/8	32-3/16	30-13/16	4-13/16	369
210	17-1/4	34-1/2	3-3/4	41-7/16	7/8	34-9/16	32-3/4	5-13/16	406
225	18-5/16	36-5/8	4-1/4	44-1/16	7/8	37-1/2	34-7/8	6-5/16	493
245	19-5/8	39-3/16	4-1/4	46-5/8	7/8	40-5/8	37-7/16	6-5/16	548
270	22-5/16	44-9/16	4-1/4	51-1/2	1-1/8	44-1/8	42-5/16	6-5/16	683
300	24-1/16	48-1/8	4-1/4	55-1/8	1-1/8	48-13/16	45-7/8	6-3/8	802
330	26-5/8	53-3/16	4-3/8	59-5/16	1-5/16	53-3/4	50-9/16	6	1030
365	29-3/16	58-5/16	4-3/4	65-5/16	1-5/16	59-5/16	55-11/16	6-7/8	1145
402	33	65-15/16	4-7/8	71-15/16	1-3/4	64-3/8	62-7/16	6	1463
445	36-1/4	72-7/16	5-3/4	79-5/16	1-3/4	71-1/16	68-15/16	6-7/8	1894
490	39-3/16	78-5/16	5-7/8	85-5/16	1-3/4	78-3/16	74-13/16	7	2242
540	43-1/16	86-1/8	6-1/4	93-1/2	1-3/4	86	82-5/8	7-3/8	2488
600	48-1/4	96-1/2	6-1/4	102-7/8	2-1/4	94-3/8	92	6-3/8	3486
660	53-9/16	107-1/8	9-3/8	117-1/8	2-3/4	102-3/4	101-5/8	10	4473
730	58-1/2	117	9-3/8	127	2-3/4	114-1/8	111-1/2	10	5495

ALL DIMENSIONS IN INCHES. ALL WEIGHTS IN POUNDS, LESS MOTOR AND DRIVES.

CA720R00