



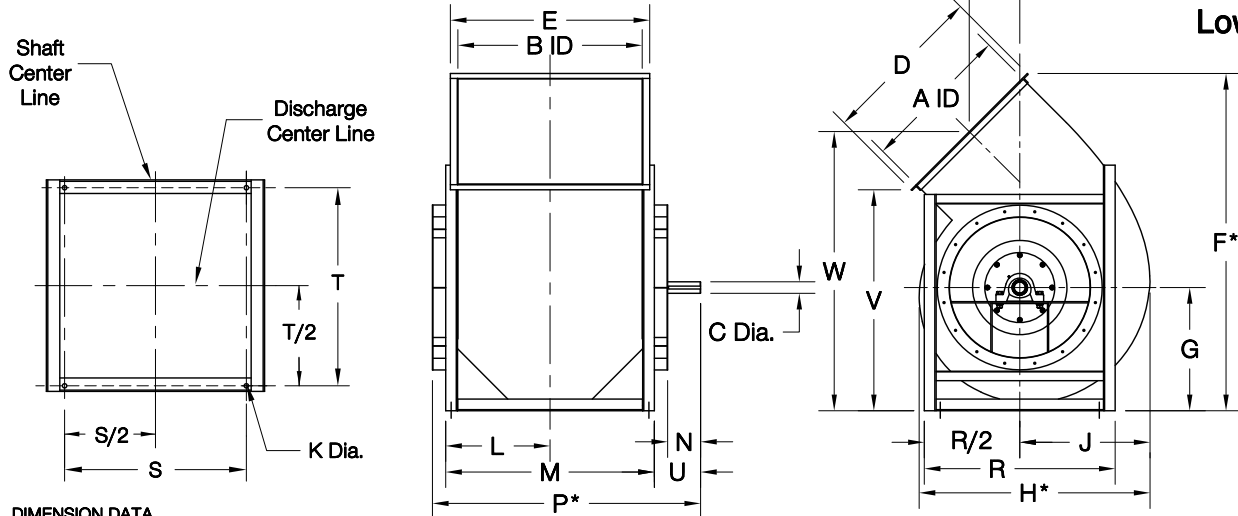
COOK

CAF DW

DATE: _____
 PROJECT: _____
 LOCATION: _____



Centrifugal Airfoil Blower
Counterclockwise Top Angular Up
Arrangement 3
Low Profile
Class II



DIMENSION DATA

Size	A	B	C	D	E	F	G	H	J	K	L
120	12-1/8	17-11/16	1-7/16	14-3/8	19-13/16	31-3/4	10-13/16	22-3/4	11-1/16	15/16	10-15/16
135	13-5/8	19-15/16	1-7/16	15-7/8	22-1/16	34-15/16	12-1/16	24-7/8	12-7/16	15/16	12-1/16
150	15-1/4	22	1-15/16	17-1/2	24-1/8	38-1/16	13-5/16	27-1/16	13-13/16	15/16	13-1/16
165	16-15/16	24	1-15/16	19-3/16	26-1/8	41-3/8	14-1/2	29-7/16	15-1/4	15/16	14-1/16
180	18-1/2	26-1/16	1-15/16	20-3/4	28-3/16	44-15/16	15-3/4	32-1/16	16-5/8	15/16	15-1/8
195	19-1/2	28-7/16	1-15/16	21-11/16	30-5/8	48	16-15/16	33-11/16	18	15/16	16-5/16
210	21-5/8	30-3/8	2-3/16	23-13/16	32-9/16	51-1/2	18-3/16	36-5/8	19-3/8	15/16	17-1/4
225	23-3/16	32-1/2	2-3/16	26-3/8	35-11/16	55-1/8	19-7/16	39-3/16	20-3/4	15/16	18-5/16
245	25-1/2	35-1/16	2-7/16	28-11/16	38-1/4	59-9/16	21-1/16	42-1/2	22-9/16	15/16	19-5/8
270	27-1/2	39-7/16	2-7/16	30-11/16	42-5/8	64-5/8	23-1/16	45-9/16	24-7/8	15/16	22-5/16
300	31-3/16	43	2-11/16	34-3/8	46-3/16	71-1/8	25-1/2	50-1/2	27-5/8	1-1/16	24-1/16
330	34-1/2	47-1/16	2-15/16	38-3/4	51-5/16	78	28-1/16	55-7/16	30-3/8	1-1/16	26-5/8
365	38-11/16	52-3/16	3-7/16	42-15/16	56-7/16	86-5/16	30-13/16	61-15/16	33-5/8	1-1/16	29-3/16
402	41-3/4	57-13/16	3-7/16	46-1/8	62-1/16	93-13/16	33-7/8	66-7/16	37-1/16	1-1/16	33
445	45-15/16	64-1/4	2-7/16	50-5/16	68-9/16	102-1/2	37-3/8	72-3/4	41	1-1/16	36-1/4
490	51	70-1/8	2-15/16	55-7/16	74-7/16	113-1/8	41-1/16	80-1/16	45-1/8	1-1/16	40-3/16
540	55-3/4	77-15/16	3-7/16	61-1/8	83-1/8	122-15/16	45-1/8	88-5/16	49-3/4	1-1/16	44-1/8
600	62-3/16	86-1/4	3-7/16	67-9/16	91-7/16	135-7/8	50-1/16	98-1/16	55-1/4	1-1/16	49-1/4
660	68-7/16	94-7/8	3-7/16	73-13/16	100-1/4	147-15/16	54-15/16	107-13/16	60-3/16	1-1/16	53-9/16
730	75-13/16	104-3/4	3-15/16	81-5/16	110-1/8	162-3/8	60-11/16	119-5/16	67-1/4	1-1/16	58-9/16

*F, H, and P dimensions are overall dimensions.

Size	M	N	P	R	S	T	U	V	W	X	Approx. Wt
120	21-13/16	3-3/4	28-3/16	19-1/4	14-3/8	20	5-5/16	21-5/8	26-11/16	6-9/16	209
135	24-1/16	3-7/8	30-9/16	21	16-1/8	22-1/4	5-7/16	23-11/16	29-5/16	6-3/4	233
150	26-1/8	3-7/8	33-1/8	23-1/2	17-3/4	24-3/8	5-15/16	25-11/16	31-7/8	7	305
165	28-1/8	3-7/8	35-3/16	25-1/4	19-1/2	26-3/8	5-15/16	27-3/4	34-9/16	7-7/16	348
180	30-3/16	3-7/8	37-1/4	26-3/4	21	28-7/16	5-15/16	30-1/4	37-5/8	8-1/8	374
195	32-9/16	3-7/8	39-5/8	28-1/2	22-3/4	30-13/16	5-15/16	32-11/16	40-5/16	8-1/16	427
210	34-1/2	4-1/4	42-7/16	30	24-1/4	32-3/4	6-13/16	34-11/16	43-1/16	8-13/16	484
225	36-5/8	4-1/4	44-9/16	31-3/4	26	34-7/8	6-13/16	36-7/16	45-13/16	9-1/8	533
245	39-3/16	4-3/8	47-1/4	33-3/4	28	37-7/16	6-15/16	39-1/4	49-7/16	9-3/4	632
270	44-9/16	4-3/8	51-5/8	37-1/2	30-1/4	42-5/16	6-7/16	42-15/16	53-3/4	9-13/16	743
300	48-1/8	4-3/4	56-1/8	40-1/2	33-1/4	45-7/8	7-3/8	46-13/16	59	10-11/16	959
330	53-3/16	4-7/8	60-5/16	41-9/16	36-1/8	50-9/16	7	50-5/8	64-5/16	11-5/16	1156
365	58-5/16	5-3/8	65-15/16	45-5/16	39-7/8	55-11/16	7-1/2	55-15/16	71-1/8	13-1/8	1432
402	66	5-7/8	73	49-11/16	43	62-1/2	7	61-1/4	77-9/16	13-1/8	1909
445	72-7/16	6-1/8	79-11/16	53-15/16	47-1/4	68-15/16	7-1/4	66-15/16	84-11/16	13-5/16	2196
490	80-5/16	7-1/2	87-15/16	59	51	75-13/16	7-5/8	73-15/16	93-1/2	15-5/16	2962
540	88-3/16	8-7/8	98-11/16	64	56	83-11/16	10-1/2	79-11/16	101-5/16	14-7/8	3540
600	98-1/2	8-7/8	108	70-9/16	61	93	9-1/2	88-1/16	111-15/16	16-1/8	4264
660	107-1/8	8-7/8	116-5/8	76-9/16	67	101-5/8	9-1/2	95-11/16	121-13/16	16-9/16	5087
730	117-1/8	9	126-3/4	83-9/16	74	111-5/8	9-5/8	104-15/16	133-5/8	17-7/16	6819

ALL DIMENSIONS IN INCHES. ALL WEIGHTS IN POUNDS, LESS MOTOR AND DRIVES.

CA728R00