



COOK

CAF DW

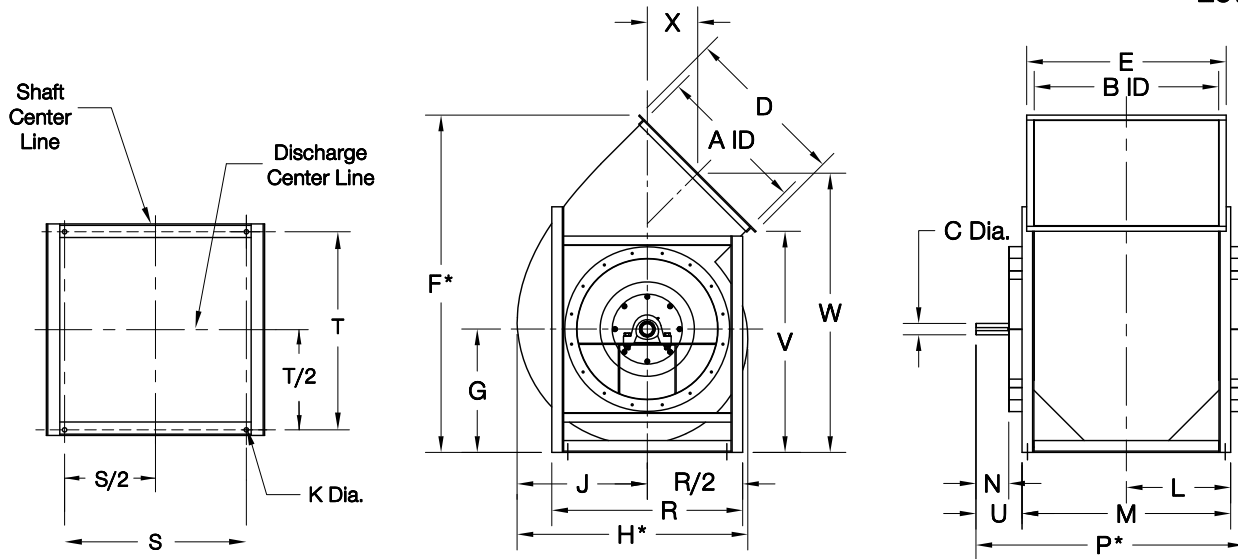
DATE: _____

PROJECT: _____

LOCATION: _____



**Centrifugal Airfoil Blower
Clockwise Top Angular Up
Arrangement 3
Low Profile
Class III**



DIMENSION DATA

| Size | A | B | C | D | E | F | G | H | J | K | L |
|------|----------|----------|---------|----------|----------|-----------|----------|----------|----------|--------|----------|
| 120 | 12-1/8 | 17-11/16 | 1-11/16 | 14-3/8 | 19-13/16 | 31-11/16 | 10-3/4 | 22-3/4 | 11-1/16 | 15/16 | 11-15/16 |
| 135 | 13-5/8 | 19-15/16 | 1-15/16 | 15-7/8 | 22-1/16 | 34-15/16 | 12-1/16 | 24-7/8 | 12-7/16 | 15/16 | 13-1/16 |
| 150 | 15-1/4 | 22 | 1-15/16 | 17-1/2 | 24-1/8 | 38-1/16 | 13-5/16 | 27-1/16 | 13-13/16 | 15/16 | 14-1/16 |
| 165 | 16-15/16 | 24 | 2-3/16 | 19-3/16 | 26-1/8 | 41-3/8 | 14-1/2 | 29-7/16 | 15-1/4 | 15/16 | 15-1/16 |
| 180 | 18-1/2 | 26-1/16 | 2-3/16 | 20-3/4 | 28-3/16 | 44-15/16 | 15-3/4 | 32-1/16 | 16-5/8 | 15/16 | 16-1/8 |
| 195 | 19-1/2 | 28-7/16 | 2-3/16 | 23-3/4 | 32-9/16 | 48-9/16 | 16-3/4 | 34-7/16 | 18 | 15/16 | 17-5/16 |
| 210 | 21-5/8 | 30-3/8 | 2-3/16 | 25-13/16 | 34-1/2 | 52-1/4 | 18-3/16 | 37-1/4 | 19-3/8 | 15/16 | 18-1/4 |
| 225 | 23-3/16 | 32-1/2 | 2-3/16 | 27-7/16 | 36-11/16 | 55-1/2 | 19-7/16 | 39-9/16 | 20-3/4 | 15/16 | 19-5/16 |
| 245 | 25-1/2 | 35-1/16 | 2-7/16 | 29-3/4 | 39-1/4 | 59-15/16 | 21-1/16 | 42-7/8 | 22-9/16 | 1-1/16 | 21-5/8 |
| 270 | 27-1/2 | 39-7/16 | 2-7/16 | 31-3/4 | 43-5/8 | 65 | 23-1/16 | 45-15/16 | 24-7/8 | 1-1/16 | 23-13/16 |
| 300 | 31-3/16 | 43 | 2-7/16 | 35-7/16 | 47-3/16 | 71-1/2 | 25-1/2 | 50-7/8 | 27-5/8 | 1-1/16 | 25-9/16 |
| 330 | 34-1/2 | 47-1/16 | 2-7/16 | 38-7/8 | 51-5/16 | 78-1/16 | 28-1/16 | 55-1/2 | 30-7/16 | 1-1/16 | 28-5/8 |
| 365 | 38-11/16 | 52-3/16 | 2-15/16 | 44-1/16 | 57-7/16 | 86-11/16 | 30-13/16 | 62-5/16 | 33-5/8 | 1-1/16 | 31-3/16 |
| 402 | 41-3/4 | 57-13/16 | 3-7/16 | 47-1/8 | 63-1/16 | 94-3/16 | 33-7/8 | 66-13/16 | 37-1/16 | 1-1/16 | 35 |
| 445 | 45-15/16 | 64-1/4 | 3-7/16 | 51-5/16 | 69-9/16 | 103-5/16 | 37-3/8 | 72-15/16 | 41 | 1-1/16 | 38-1/4 |
| 490 | 51 | 70-1/8 | 3-15/16 | 56-3/8 | 75-7/16 | 114-3/16 | 41-1/16 | 81-1/16 | 45-3/16 | 1-1/16 | 43-3/16 |
| 540 | 55-3/4 | 77-15/16 | 4-7/16 | 61-1/4 | 83-3/8 | 122-15/16 | 45-1/8 | 88-3/8 | 49-13/16 | 1-3/16 | 47-1/8 |
| 600 | 62-3/16 | 86-1/4 | 4-15/16 | 67-3/4 | 91-11/16 | 135-7/8 | 50-1/16 | 98-1/8 | 55-5/16 | 1-3/16 | 51-5/16 |

*F,H, and P dimensions are overall dimensions.

| Size | M | N | P | R | S | T | U | V | W | X | Approx. Wt. |
|------|----------|--------|-----------|----------|--------|----------|---------|----------|-----------|----------|-------------|
| 120 | 23-13/16 | 6-1/2 | 31-7/16 | 19-1/16 | 14-1/2 | 20-1/16 | 7-9/16 | 21-9/16 | 26-5/8 | 6-9/16 | 251 |
| 135 | 26-1/16 | 6-1/2 | 33-11/16 | 20-13/16 | 16-1/4 | 22-5/16 | 7-9/16 | 23-11/16 | 29-5/16 | 6-3/4 | 295 |
| 150 | 28-1/8 | 6-1/2 | 35-3/4 | 22-5/16 | 17-3/4 | 24-3/8 | 7-9/16 | 25-11/16 | 31-7/8 | 7 | 326 |
| 165 | 30-1/8 | 6-1/2 | 38-5/16 | 24-1/16 | 19-1/2 | 26-3/8 | 8-1/16 | 27-3/4 | 34-9/16 | 7-7/16 | 393 |
| 180 | 32-3/16 | 6-1/2 | 40-3/8 | 25-9/16 | 21 | 28-7/16 | 8-1/16 | 30-1/4 | 37-5/8 | 8-1/8 | 416 |
| 195 | 34-9/16 | 6-1/2 | 42-3/4 | 27-5/16 | 22-1/4 | 31-5/16 | 8-1/16 | 31-3/4 | 40-1/8 | 8-1/16 | 494 |
| 210 | 36-1/2 | 7 | 45-3/16 | 28-13/16 | 23-3/4 | 33-1/4 | 8-9/16 | 34 | 43-1/8 | 8-13/16 | 547 |
| 225 | 38-5/8 | 7 | 47-5/16 | 30-9/16 | 25-1/2 | 35-3/8 | 8-9/16 | 36-1/16 | 45-3/4 | 9-1/8 | 615 |
| 245 | 43-3/16 | 7 | 50-13/16 | 32-15/16 | 27-1/8 | 38-9/16 | 7-9/16 | 38-7/8 | 49-3/8 | 9-3/4 | 762 |
| 270 | 47-9/16 | 7-1/8 | 55-5/16 | 35-11/16 | 29-7/8 | 42-15/16 | 7-11/16 | 42-9/16 | 53-3/4 | 9-13/16 | 886 |
| 300 | 51-1/8 | 7-1/8 | 58-7/8 | 38-11/16 | 32-7/8 | 46-1/2 | 7-3/4 | 46-7/16 | 59 | 10-11/16 | 1077 |
| 330 | 57-1/4 | 7-1/8 | 64 | 42-1/4 | 35-1/4 | 51-3/4 | 6-3/4 | 50-9/16 | 64-5/16 | 11-3/8 | 1418 |
| 365 | 62-3/8 | 7-5/8 | 70-1/8 | 46 | 39 | 56-7/8 | 7-3/4 | 55-1/2 | 71-1/8 | 13-1/8 | 1789 |
| 402 | 70 | 10-1/8 | 80-3/4 | 50-9/16 | 42 | 63-1/2 | 10-3/4 | 60-7/8 | 77-9/16 | 13-1/8 | 2382 |
| 445 | 76-1/2 | 10-1/8 | 87-1/4 | 54-13/16 | 46-1/4 | 70 | 10-3/4 | 67 | 85-3/16 | 13-3/4 | 2961 |
| 490 | 86-3/8 | 13-1/2 | 98-1/2 | 60 | 50 | 76-7/8 | 12-1/8 | 74-5/16 | 94-1/4 | 16 | 3589 |
| 540 | 94-5/16 | 15-3/4 | 110-11/16 | 65 | 55 | 84-13/16 | 16-3/8 | 79-11/16 | 101-5/16 | 14-7/8 | 4863 |
| 600 | 102-5/8 | 15-7/8 | 118-5/8 | 71 | 61 | 93-1/8 | 16 | 88 | 111-15/16 | 16-3/16 | 5852 |

ALL DIMENSIONS IN INCHES. ALL WEIGHTS IN POUNDS, LESS MOTOR AND DRIVES.

CA729R00