



COOK

CAF DW

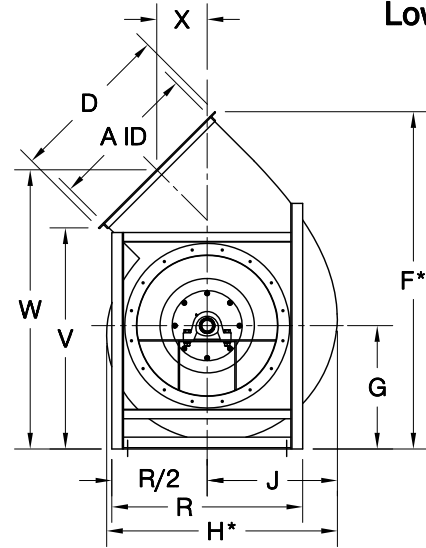
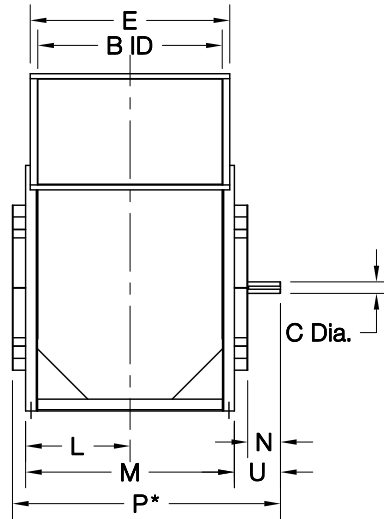
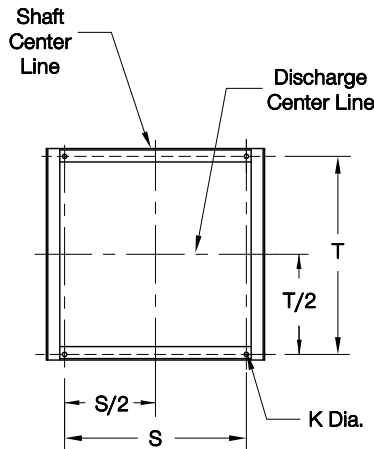
DATE: _____

PROJECT: _____

LOCATION: _____



Centrifugal Airfoil Blower
Counterclockwise Top Angular Up
Arrangement 3
Low Profile
Class III



DIMENSION DATA

Size	A	B	C	D	E	F	G	H	J	K	L
120	12-1/8	17-11/16	1-11/16	14-3/8	19-13/16	31-11/16	10-3/4	22-3/4	11-1/16	15/16	11-15/16
135	13-5/8	19-15/16	1-15/16	15-7/8	22-1/16	34-15/16	12-1/16	24-7/8	12-7/16	15/16	13-1/16
150	15-1/4	22	1-15/16	17-1/2	24-1/8	38-1/16	13-5/16	27-1/16	13-13/16	15/16	14-1/16
165	16-15/16	24	2-3/16	19-3/16	26-1/8	41-3/8	14-1/2	29-7/16	15-1/4	15/16	15-1/16
180	18-1/2	26-1/16	2-3/16	20-3/4	28-3/16	44-15/16	15-3/4	32-1/16	16-5/8	15/16	16-1/8
195	19-1/2	28-7/16	2-3/16	23-3/4	32-9/16	48-9/16	16-3/4	34-7/16	18	15/16	17-5/16
210	21-5/8	30-3/8	2-3/16	25-13/16	34-1/2	52-1/4	18-3/16	37-1/4	19-3/8	15/16	18-1/4
225	23-3/16	32-1/2	2-3/16	27-7/16	36-11/16	55-1/2	19-7/16	39-9/16	20-3/4	15/16	19-5/16
245	25-1/2	35-1/16	2-7/16	29-3/4	39-1/4	59-15/16	21-1/16	42-7/8	22-9/16	1-1/16	21-5/8
270	27-1/2	39-7/16	2-7/16	31-3/4	43-5/8	65	23-1/16	45-15/16	24-7/8	1-1/16	23-13/16
300	31-3/16	43	2-7/16	35-7/16	47-3/16	71-1/2	25-1/2	50-7/8	27-5/8	1-1/16	25-9/16
330	34-1/2	47-1/16	2-7/16	38-7/8	51-5/16	78-1/16	28-1/16	55-1/2	30-7/16	1-1/16	28-5/8
365	38-11/16	52-3/16	2-15/16	44-1/16	57-7/16	86-11/16	30-13/16	62-5/16	33-5/8	1-1/16	31-3/16
402	41-3/4	57-13/16	3-7/16	47-1/8	63-1/16	94-3/16	33-7/8	66-13/16	37-1/16	1-1/16	35
445	45-15/16	64-1/4	3-7/16	51-5/16	69-9/16	103-5/16	37-3/8	72-15/16	41	1-1/16	38-1/4
490	51	70-1/8	3-15/16	56-3/8	75-7/16	114-3/16	41-1/16	81-1/16	45-3/16	1-1/16	43-3/16
540	55-3/4	77-15/16	4-7/16	61-1/4	83-3/8	122-15/16	45-1/8	88-3/8	49-13/16	1-3/16	47-1/8
600	62-3/16	86-1/4	4-15/16	67-3/4	91-11/16	135-7/8	50-1/16	98-1/8	55-5/16	1-3/16	51-5/16

*F, H, and P dimensions are overall dimensions.

Size	M	N	P	R	S	T	U	V	W	X	Approx. Wt
120	23-13/16	6-1/2	31-7/16	19-1/16	14-1/2	20-1/16	7-9/16	21-9/16	26-5/8	6-9/16	251
135	26-1/16	6-1/2	33-11/16	20-13/16	16-1/4	22-5/16	7-9/16	23-11/16	29-5/16	6-3/4	295
150	28-1/8	6-1/2	35-3/4	22-5/16	17-3/4	24-3/8	7-9/16	25-11/16	31-7/8	7	326
165	30-1/8	6-1/2	38-5/16	24-1/16	19-1/2	26-3/8	8-1/16	27-3/4	34-9/16	7-7/16	393
180	32-3/16	6-1/2	40-3/8	25-9/16	21	28-7/16	8-1/16	30-1/4	37-5/8	8-1/8	416
195	34-9/16	6-1/2	42-3/4	27-5/16	22-1/4	31-5/16	8-1/16	31-3/4	40-1/8	8-1/16	494
210	36-1/2	7	45-3/16	28-13/16	23-3/4	33-1/4	8-9/16	34	43-1/8	8-13/16	547
225	38-5/8	7	47-5/16	30-9/16	25-1/2	35-3/8	8-9/16	36-1/16	45-3/4	9-1/8	615
245	43-3/16	7	50-13/16	32-15/16	27-1/8	38-9/16	7-9/16	38-7/8	49-3/8	9-3/4	762
270	47-9/16	7-1/8	55-5/16	35-11/16	29-7/8	42-15/16	7-11/16	42-9/16	53-3/4	9-13/16	886
300	51-1/8	7-1/8	58-7/8	38-11/16	32-7/8	46-1/2	7-3/4	46-7/16	59	10-11/16	1077
330	57-1/4	7-1/8	64	42-1/4	35-1/4	51-3/4	6-3/4	50-9/16	64-5/16	11-3/8	1418
365	62-3/8	7-5/8	70-1/8	46	39	56-7/8	7-3/4	55-1/2	71-1/8	13-1/8	1789
402	70	10-1/8	80-3/4	50-9/16	42	63-1/2	10-3/4	60-7/8	77-9/16	13-1/8	2382
445	76-1/2	10-1/8	87-1/4	54-13/16	46-1/4	70	10-3/4	67	85-3/16	13-3/4	2961
490	86-3/8	13-1/2	98-1/2	60	50	76-7/8	12-1/8	74-5/16	94-1/4	16	3589
540	94-5/16	15-3/4	110-11/16	65	55	84-13/16	16-3/8	79-11/16	101-5/16	14-7/8	4863
600	102-5/8	15-7/8	118-5/8	71	61	93-1/8	16	88	111-15/16	16-3/16	5852

ALL DIMENSIONS IN INCHES. ALL WEIGHTS IN POUNDS, LESS MOTOR AND DRIVES.

CA730R00