



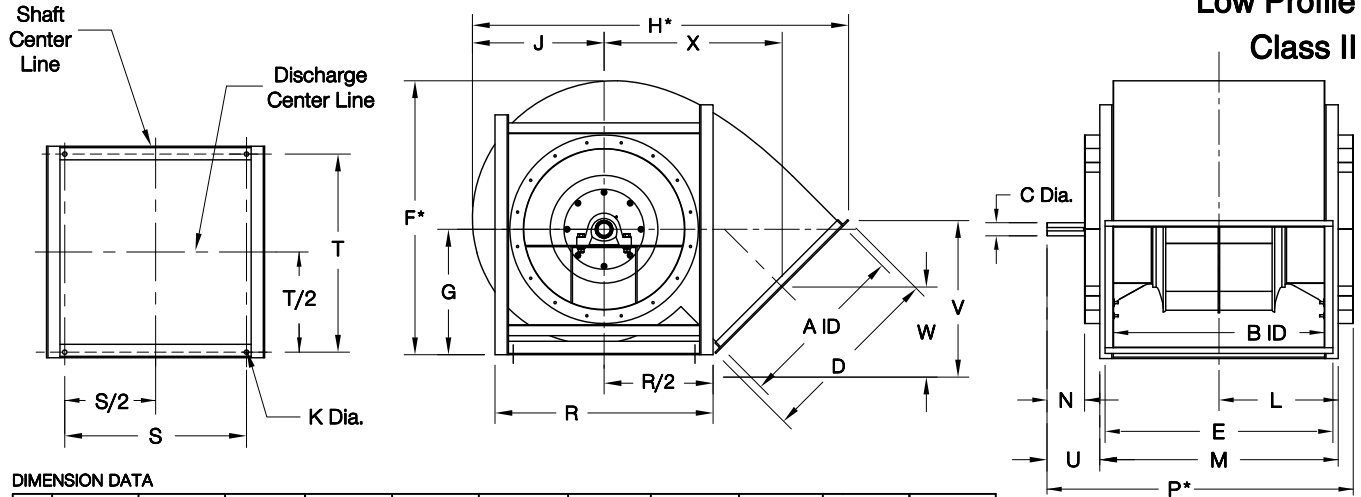
COOK

CAF DW

DATE: _____
 PROJECT: _____
 LOCATION: _____



Centrifugal Airfoil Blower
Clockwise Top Angular Down
Arrangement 3
Low Profile
Class II



DIMENSION DATA

Size	A	B	C	D	E	F	G	H	J	K	L
120	12-1/8	17-11/16	1-7/16	14-3/8	19-13/16	22-3/4	11-11/16	30-13/16	9-13/16	15/16	10-15/16
135	13-5/8	19-15/16	1-7/16	15-7/8	22-1/16	24-13/16	12-3/8	33-15/16	11-1/16	15/16	12-1/16
150	15-1/4	22	1-15/16	17-1/2	24-1/8	27	13-3/16	37-1/16	12-5/16	15/16	13-1/16
165	16-15/16	24	1-15/16	19-3/16	26-1/8	29-7/16	14-3/16	40-3/8	13-1/2	15/16	14-1/16
180	18-1/2	26-1/16	1-15/16	20-3/4	28-3/16	32-1/16	15-7/16	43-15/16	14-3/4	15/16	15-1/8
195	19-1/2	28-7/16	1-15/16	21-11/16	30-5/8	34-1/2	16-1/2	47	15-15/16	15/16	16-5/16
210	21-5/8	30-3/8	2-3/16	23-13/16	32-9/16	37-3/8	18	50-1/2	17-3/16	15/16	17-1/4
225	23-3/16	32-1/2	2-3/16	26-3/8	35-11/16	39-5/8	18-7/8	54-1/16	18-3/8	15/16	18-5/16
245	25-1/2	35-1/16	2-7/16	28-11/16	38-1/4	42-7/8	20-5/16	58-1/2	20	15/16	19-5/8
270	27-1/2	39-7/16	2-7/16	30-11/16	42-5/8	46-13/16	21-15/16	63-5/8	22-1/16	15/16	22-5/16
300	31-3/16	43	2-11/16	34-3/8	46-3/16	50-7/8	23-1/4	70-3/16	24-1/2	1-1/16	24-1/16
330	34-1/2	47-1/16	2-15/16	38-3/4	51-5/16	55-1/2	25-1/8	76-15/16	27	1-1/16	26-5/8
365	38-11/16	52-3/16	3-7/16	42-15/16	56-7/16	62-5/16	28-11/16	85-5/16	29-13/16	1-1/16	29-3/16
402	41-3/4	57-13/16	3-7/16	46-1/8	62-1/16	66-7/8	29-13/16	92-13/16	32-7/8	1-1/16	33
445	45-15/16	64-1/4	2-7/16	50-5/16	68-9/16	73-3/4	32-3/4	101-1/2	36-3/8	1-1/16	36-1/4
490	51	70-1/8	2-15/16	55-7/16	74-7/16	81-1/16	35-15/16	112-1/16	40-1/16	1-1/16	40-3/16
540	55-3/4	77-15/16	3-7/16	61-1/8	83-1/8	89-1/4	39-1/2	121-15/16	44-1/8	1-1/16	44-1/8
600	62-3/16	86-1/4	3-7/16	67-9/16	91-7/16	99-1/16	43-13/16	134-13/16	49-1/16	1-1/16	49-1/4
660	68-7/16	94-7/8	3-7/16	73-13/16	100-1/4	108-7/8	48-1/16	146-7/8	53-15/16	1-1/16	53-9/16
730	75-13/16	104-3/4	3-15/16	81-5/16	110-1/8	125-5/16	58-1/16	161-3/8	59-11/16	1-1/16	58-9/16

*F, H, and P dimensions are overall dimensions.

Size	M	N	P	R	S	T	U	V	W	X	Approx. Wt
120	21-13/16	3-3/4	28-3/16	19-1/4	14-3/8	19-15/16	5-5/16	10-3/16	5-1/8	15-7/8	215
135	24-1/16	3-7/8	30-9/16	21	16-1/8	22-1/4	5-7/16	11-3/16	5-5/8	17-1/4	242
150	26-1/8	3-7/8	33-1/8	23-1/2	17-3/4	24-3/8	5-15/16	12-3/8	6-3/16	18-9/16	315
165	28-1/8	3-7/8	35-3/16	25-1/4	19-1/2	26-3/8	5-15/16	13-1/2	6-3/4	20-1/16	357
180	30-3/16	3-7/8	37-1/4	26-3/4	21	28-7/16	5-15/16	14-11/16	7-5/16	21-7/8	384
195	32-9/16	3-7/8	39-5/8	28-1/2	22-3/4	30-13/16	5-15/16	16-1/8	8-7/16	23-3/8	457
210	34-1/2	4-1/4	42-7/16	30	24-1/4	32-3/4	6-13/16	17-5/8	9-3/16	24-7/8	511
225	36-5/8	4-1/4	44-9/16	31-3/4	26	34-7/8	6-13/16	19-1/16	9-3/4	26-3/8	559
245	39-3/16	4-3/8	47-1/4	33-3/4	28	37-7/16	6-15/16	20-11/16	10-9/16	28-3/8	664
270	44-9/16	4-3/8	51-5/8	37-1/2	30-1/4	42-5/16	6-7/16	23	12-1/8	30-11/16	775
300	48-1/8	4-3/4	56-1/8	40-1/2	33-1/4	45-7/8	7-3/8	24-11/16	12-9/16	33-1/2	996
330	53-3/16	4-7/8	60-5/16	41-9/16	36-1/8	50-9/16	7	27-1/2	13-13/16	36-1/4	1191
365	58-5/16	5-3/8	65-15/16	45-5/16	39-7/8	55-11/16	7-1/2	30-3/4	15-9/16	40-5/16	1469
402	66	5-7/8	73	49-11/16	43	62-1/2	7	33	16-11/16	43-11/16	1942
445	72-7/16	6-1/8	79-11/16	53-15/16	47-1/4	68-15/16	7-1/4	37-3/16	19-7/16	47-5/16	2228
490	80-5/16	7-1/2	87-15/16	59	51	75-13/16	7-5/8	40-1/4	20-5/8	52-7/16	2675
540	88-3/16	8-7/8	98-11/16	64	56	83-11/16	10-1/2	46-1/4	24-5/8	56-3/16	3556
600	98-1/2	8-7/8	108	70-9/16	61	93	9-1/2	51-9/16	27-11/16	61-7/8	4265
660	107-1/8	8-7/8	116-5/8	76-9/16	67	101-5/8	9-1/2	57-5/8	31-1/2	66-7/8	5093
730	117-1/8	9	126-3/4	83-9/16	74	111-5/8	9-5/8	69-3/8	40-5/8	72-15/16	6871

ALL DIMENSIONS IN INCHES. ALL WEIGHTS IN POUNDS, LESS MOTOR AND DRIVES.