



COOK

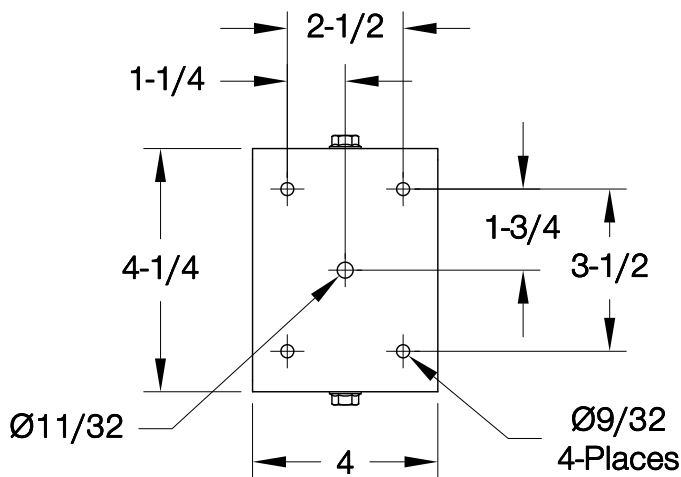
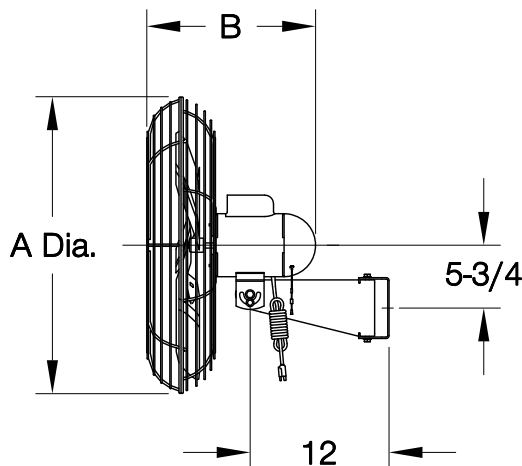
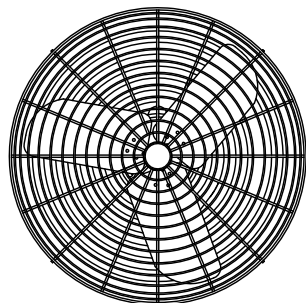
CAC-ACH

DATE: _____

PROJECT: _____

LOCATION: _____

**Air Circulator
Commercial Duty
Wall Mounted**



DIMENSION DATA

Size	A	B	Ship Wt.
24	27	14-1/2	43
30	33-1/2	14-1/2	47

ALL DIMENSIONS IN INCHES. WEIGHTS IN LBS.

STANDARD CONSTRUCTION FEATURES:

Aluminum paddle with steel hub/spider propeller – Locking tilt powder coated wall mounting bracket – OSHA compliant double locking, chrome plated steel wire guard – Two-speed, totally enclosed permanently lubricated ball bearing motor w/pull cord style operating switch – Factory pre-wired 12 foot cord

Wall Mount Hole Pattern

QTY	MARK	CATALOG NUMBER