



COOK

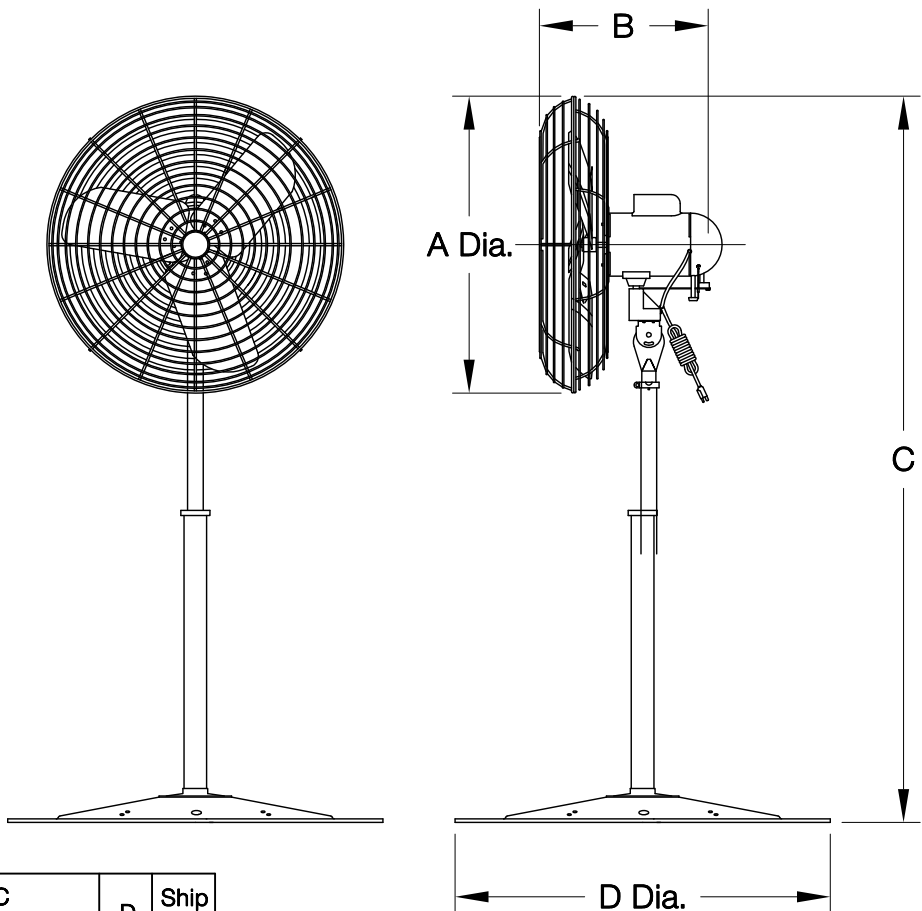
CAC-ACHO

DATE: _____

PROJECT: _____

LOCATION: _____

**Oscillating Air Circulator
Commercial Duty
Pedestal Mounted**



DIMENSION DATA

Size	A	B	C		D	Ship Wt.
			Min.	Max.		
24	27	14-1/2	63	80	27	78
30	33-1/2	14-1/2	67	84	27	82

ALL DIMENSIONS IN INCHES. WEIGHTS IN LBS.

STANDARD CONSTRUCTION FEATURES:

Aluminum paddle with steel hub/spider propeller – Oscillating fan head, oscillates in a 90 degree arc or can be locked in position – Maximum 30 degree downward tilt – Locking tilt and adjustable height powder coated pedestal – OSHA compliant double locking, chrome plated steel wire guard – Two-speed, totally enclosed permanently lubricated ball bearing motor w/pull cord style operating switch – Factory pre-wired 12 foot cord

QTY	MARK	CATALOG NUMBER