



# COOK

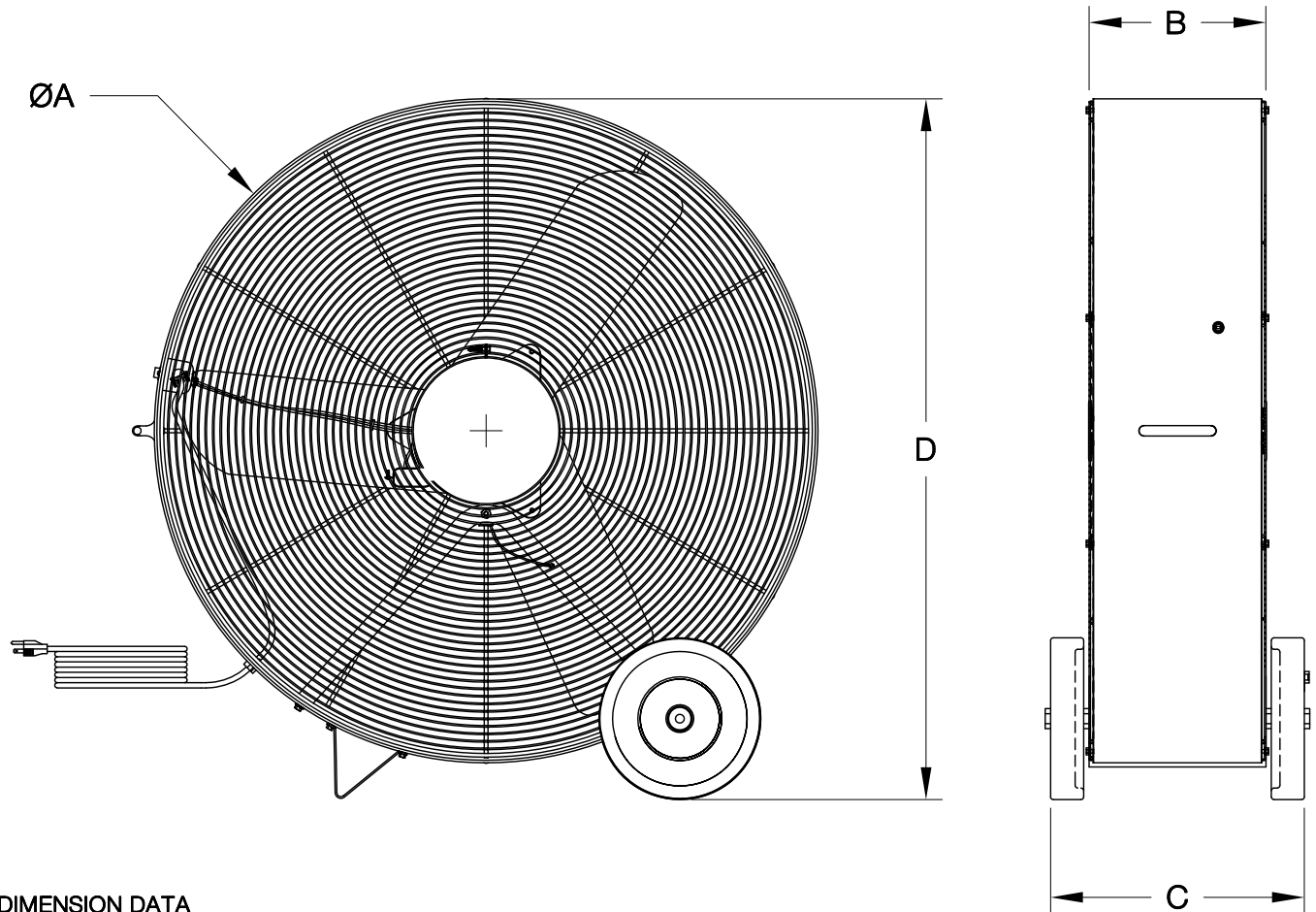
# CAC-PBD

DATE: \_\_\_\_\_

PROJECT: \_\_\_\_\_

LOCATION: \_\_\_\_\_

**Air Circulator  
Portable Blower  
Direct Drive**



### DIMENSION DATA

Size	A	B	C	D	Ship Wt.
36	36-5/16	13-5/8	18-1/2	37-3/4	82
42	42-5/16	13-5/8	18-1/2	43-3/4	102

ALL DIMENSIONS IN INCHES. WEIGHTS IN LBS.

### STANDARD CONSTRUCTION FEATURES:

Stamped aluminum 3 blade propeller – Corrosion and dent proof high density polyethylene housing – OSHA compliant spiral front and rear guards – 8" diameter wheels – 2 speed motor on size 36, single speed motor on size 42 – speed motor – Factory pre-wired switch and 12 foot cord.

QTY	MARK	CATALOG NUMBER