



COOK

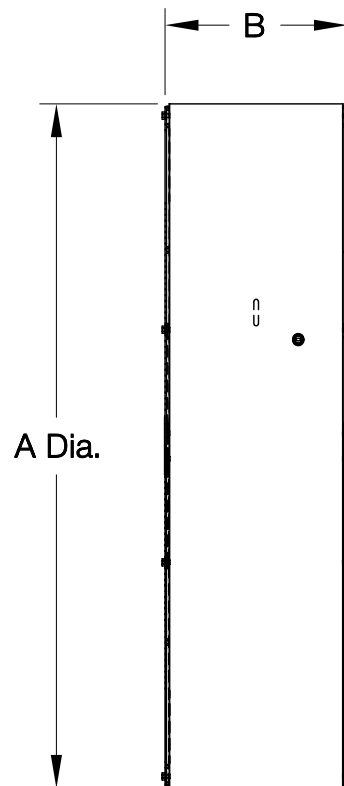
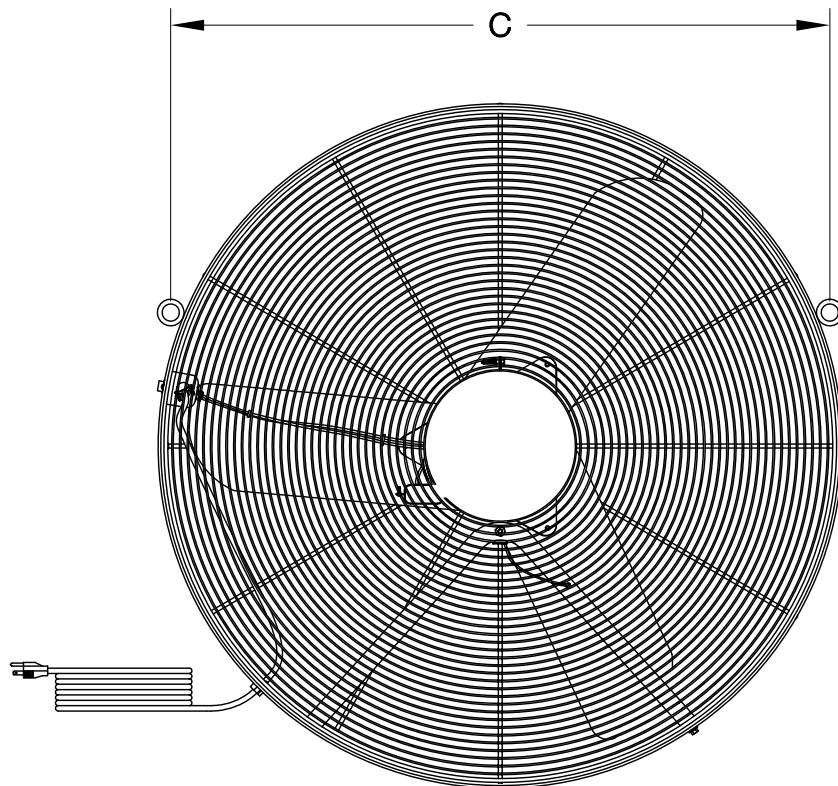
CAC-SBD

DATE: _____

PROJECT: _____

LOCATION: _____

**Air Circulator
Suspension Blower
Direct Drive**



DIMENSION DATA

Size	A	B	C	Ship Wt.
36	36-5/16	13-5/8	33	70
42	42-5/16	13-5/8	38-1/2	99

ALL DIMENSIONS IN INCHES. WEIGHTS IN LBS.

STANDARD CONSTRUCTION FEATURES:

Stamped aluminum 3 blade propeller – Corrosion and dent proof high density polyethylene housing – OSHA compliant spiral front and rear guards – 8" diameter wheels – 2 speed motor on size 36, single speed motor on size 42 – speed motor – Factory pre-wired switch and 12 foot cord.

QTY	MARK	CATALOG NUMBER