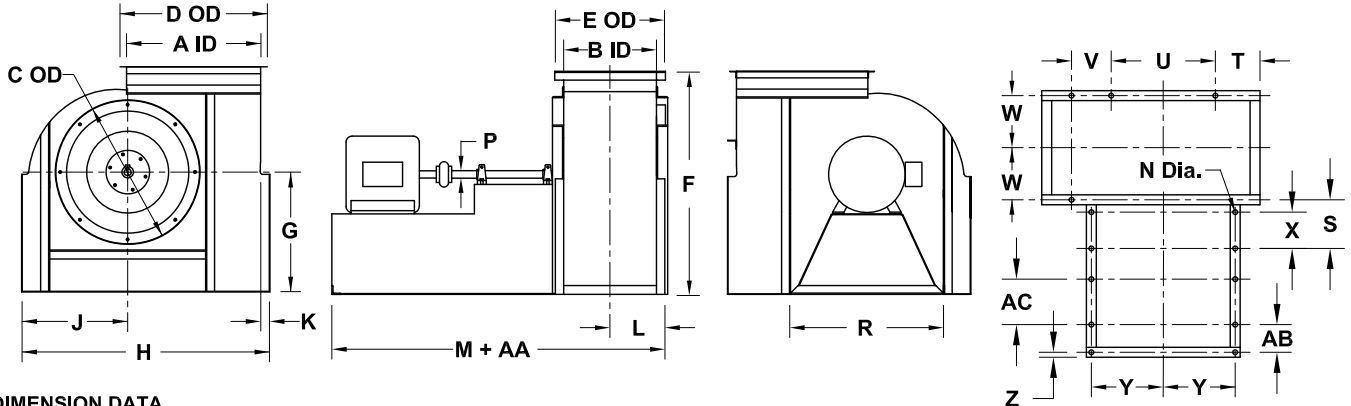


DATE: _____
 PROJECT: _____
 LOCATION: _____



Flat Blade Centrifugal Blower
Clockwise Upblast
Arrangement 8



DIMENSION DATA

Size	A	B	C	D	E	F	G	H	J	K	L	M	N
120	13-1/8	9-3/16	16-1/8	16-5/16	12-3/8	23-5/8	13	25-3/4	10-11/16	2	6-5/8	26-1/4	11/16
135	14-3/4	10-5/16	17-5/8	17-5/16	13-1/2	27-5/8	14	28-3/4	12-1/16	2	7-3/16	27-3/8	11/16
150	16-7/16	11-7/16	19-1/8	19-1/8	14-5/8	28-3/16	15	31-5/8	13-5/16	2	7-3/4	30-1/2	11/16
165	18-1/16	12-5/8	21-3/16	21-1/4	15-13/16	31-1/2	17	34-3/8	14-11/16	2	8-5/16	32-5/8	11/16
180	19-11/16	13-3/4	22-11/16	22-7/8	16-15/16	33-3/4	18	37-1/8	15-9/16	2	8-7/8	36-1/4	11/16
195	21-5/16	14-15/16	24-3/16	24-1/2	18-3/16	37-1/16	20	40	16-13/16	2	9-1/2	37-1/2	11/16
210	23	16-1/16	25-15/16	26-3/16	19-5/16	39-3/8	21	42-7/8	18	2	10-1/16	41-1/8	13/16
225	24-5/8	17-3/16	27-7/16	27-13/16	20-7/16	42-5/8	23	45-3/4	19-1/4	2	10-5/8	42-1/4	13/16
245	26-13/16	18-3/4	29-7/16	30	22	46-3/8	25	49-1/2	20-7/8	2	11-3/8	46-1/4	13/16
270	29-9/16	20-5/8	31-15/16	32-3/4	23-7/8	50-1/2	27	54-3/4	23-3/8	2	12-5/16	48-5/8	13/16
300	32-13/16	22-15/16	34-15/16	36	26-3/16	56-1/8	30	60	25-3/8	2	13-1/2	53-1/2	13/16
330	36-1/8	25-1/4	37-15/16	40-5/16	29-7/16	61-5/8	33	65-3/4	27-7/8	2	14-5/8	56-1/4	13/16
365	39-15/16	27-7/8	41-7/16	44-3/16	32-1/16	67-11/16	36	72-3/8	30-5/8	2	15-15/16	63-1/4	13/16
402	44-1/16	30-3/4	45-3/16	48-5/16	34-15/16	74-15/16	40	80-3/8	33-5/8	3	18-3/8	67-11/16	1-1/16
445	48-11/16	34	49-7/16	52-15/16	38-3/16	82-9/16	44	88-1/2	37-1/8	3	20	75-7/16	1-1/16
490	53-5/8	37-7/16	55	57-7/8	41-5/8	90-7/16	48	97	40-3/4	3	21-3/4	79-7/16	1-1/16
540	59-1/16	41-1/4	60	63-5/16	45-7/16	99-3/4	53	106-5/8	44-7/8	3	23-5/8	87-11/16	1-1/16
600	65-5/8	45-13/16	66	70	50-3/16	110-15/16	59	118	49-3/4	3	25-15/16	92-11/16	1-1/16
660	72-3/16	50-7/16	72	76-9/16	54-13/16	122-1/8	65	129-3/8	54-5/8	3	28-1/4	101-15/16	1-1/16
730	79-7/8	55-3/4	79	84-1/4	60-1/8	135-1/8	72	142-5/8	60-1/4	3	30-7/8	107-11/16	1-1/16

Size	P			R	S	T	U	V	W	X	Y	Z
	Class I	Class II	Class III									
120	1-3/16	1-7/16	1-11/16	18-3/8	12-1/8	3-3/16	15	-	5-3/4	9-3/4	8-7/16	3/4
135	1-3/16	1-7/16	1-11/16	19-7/8	12-1/8	3-9/16	17	-	6-5/16	9-3/4	9-3/16	3/4
150	1-3/16	1-7/16	1-11/16	21-3/8	14-1/8	4-5/16	18	-	6-7/8	11-3/4	9-15/16	3/4
165	1-3/16	1-7/16	1-11/16	23-3/8	14-1/8	4-7/16	20	-	7-7/16	11-3/4	10-15/16	3/4
180	1-7/16	1-11/16	1-11/16	24-7/8	16-1/8	4-9/16	22	-	8	13-3/4	11-11/16	3/4
195	1-7/16	1-11/16	1-11/16	26-3/8	16-1/8	5-5/16	23	9	8-5/8	13-3/4	12-7/16	3/4
210	1-7/16	1-11/16	1-15/16	28-1/8	18-1/8	6	24	10	9-3/16	15-3/4	13-5/16	3/4
225	1-7/16	1-11/16	1-15/16	29-5/8	18-1/8	6-3/4	25	10	9-3/4	15-3/4	14-1/16	3/4
245	1-11/16	1-15/16	2-3/16	31-5/8	20-1/8	7-3/8	27	11	10-1/2	17-3/4	15-1/16	3/4
270	1-11/16	1-15/16	2-3/16	34-3/8	20-1/8	8-3/8	30	12	11-7/16	17-3/4	16-7/16	3/4
300	1-15/16	2-3/16	2-7/16	37-3/8	22-1/8	8-7/8	33	14	12-5/8	19-3/4	17-15/16	3/4
330	1-15/16	2-3/16	2-7/16	40-3/8	22-1/8	9-7/8	36	16	13-3/4	19-3/4	19-7/16	3/4
365	2-3/16	2-7/16	2-15/16	44-7/8	26	10-5/8	40	17	15-1/16	23-3/4	21-11/16	3/4
402	2-3/16	2-7/16	2-15/16	48-3/4	26-3/16	11-5/8	44	20	17-1/8	23-3/4	23-3/8	1
445	2-7/16	2-15/16	3-7/16	53	30-3/16	13-1/8	48	23	18-3/4	27-3/4	25-1/2	1
490	2-7/16	2-15/16	3-7/16	58-1/2	30-3/16	14-1/4	53	26	20-1/2	27-3/4	28-1/4	1
540	2-15/16	3-7/16	3-15/16	63-1/2	34-3/16	15-7/8	58	29	22-3/8	31-3/4	30-3/4	1
600	2-15/16	3-7/16	3-15/16	69-1/2	34-3/16	17-3/4	64	32	24-5/8	31-3/4	33-3/4	1
660	3-7/16	3-15/16	4-7/16	75-1/2	38-3/16	19-5/8	70	36	27	35-3/4	36-3/4	1
730	3-7/16	3-15/16	4-7/16	82-1/2	38-3/16	21-3/4	77	40	29-5/8	35-3/4	40-1/4	1

Motor Frame	AA	AB	AC
56	15-1/4	3-9/16	6
143T	16-3/8	3-13/16	7
145T	16-1/2	2-15/16	8
182T	18-1/2	3-15/16	7-1/2
184T	18-1/2	2-15/16	8-1/2
213T	22-7/8	5-3/8	8-1/2
215T	22-7/8	3-7/8	10
254T	28-9/16	6-7/8	11-1/4
256T	28-9/16	5-1/8	13
284T	31-9/16	6-11/16	12-1/2
286T	31-9/16	5-3/16	14
324T	35	7-13/16	13-1/2
326T	35	6-5/16	15
364T	37-11/16	7-13/16	14-1/4
365T	38-11/16	7-13/16	15-1/4
404T	42-15/16	9-7/8	15-1/4
405T	44-7/16	9-7/8	16-3/4
444T	48-9/16	11-1/4	17-1/2
445T	50-7/8	11-1/2	19-1/2
447T	64-7/16	21-5/16	23
449T	66-7/8	18-5/8	28

ALL DIMENSIONS IN INCHES. FOOTPRINT HOLES ARE FOR SOLID MOUNTING ONLY. FOR VIBRATION ISOLATION, RAILS OR BASE ARE REQUIRED
 DIMENSIONS M & AA ARE FOR PEDESTAL FOOTPRINT. MOTOR MAY EXTEND BEYOND PEDESTAL.