

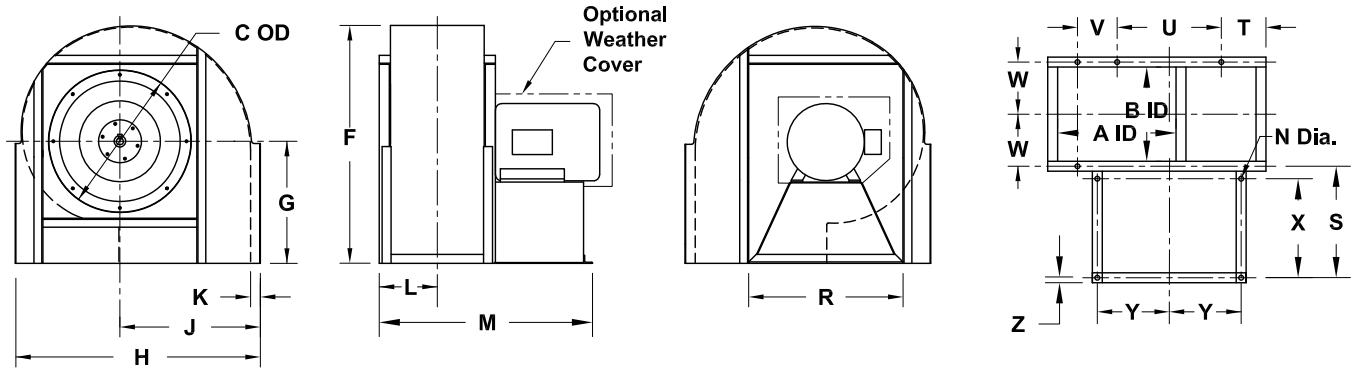
DATE: _____

PROJECT: _____

LOCATION: _____



Flat Blade Centrifugal Blower Counterclockwise Downblast Arrangement 4



DIMENSION DATA

Size	A	B	C	F	G	H	J	K	L	M	N
120	13-1/8	9-3/16	16-1/8	24-3/8	13	25-3/4	15-1/16	2	6-5/8	23-3/4	11/16
135	14-3/4	10-5/16	17-5/8	25-9/16	14	28-3/4	16-11/16	2	7-3/16	24-7/8	11/16
150	16-7/16	11-7/16	19-1/8	29-1/4	15	31-5/8	18-5/16	2	7-3/4	28-1/4	11/16
165	18-1/16	12-5/8	21-3/16	32-5/8	17	34-3/8	19-15/16	2	8-5/16	29-3/8	11/16
180	19-11/16	13-3/4	22-11/16	35-1/8	18	37-1/8	21-9/16	2	8-7/8	34-1/4	11/16
195	21-5/16	14-15/16	24-3/16	38-1/2	20	40	23-3/16	2	9-1/2	35-1/2	11/16
210	23	16-1/16	25-15/16	40-15/16	21	42-7/8	24-7/8	2	10-1/16	36-5/8	13/16
225	24-5/8	17-3/16	27-7/16	44-3/8	23	45-3/4	26-1/2	2	10-5/8	39-1/4	13/16
245	26-13/16	18-3/4	29-7/16	48-1/4	25	49-1/2	28-5/8	2	11-3/8	42-1/4	13/16
270	29-9/16	20-5/8	31-15/16	50-1/8	27	54-3/4	31-3/8	2	12-5/16	45	13/16
300	32-13/16	22-15/16	34-15/16	58-1/2	30	60	34-5/8	2	13-1/2	47-3/8	13/16
330	36-1/8	25-1/4	37-15/16	64-3/8	33	65-3/4	37-7/8	2	14-5/8	51-7/8	13/16
365	39-15/16	27-7/8	41-7/16	70-5/8	36	72-3/8	41-3/4	2	15-15/16	58	13/16
402	44-1/16	30-3/4	45-3/16	78-1/4	40	80-3/8	46-3/4	3	18-3/8	62-15/16	1-1/16
445	48-11/16	34	49-7/16	86-1/4	44	88-1/2	51-3/8	3	20	74-11/16	1-1/16
490	53-5/8	37-7/16	55	94-1/2	48	97	56-1/4	3	21-3/4	78-3/16	1-1/16
540	59-1/16	41-1/4	60	104-1/4	53	106-5/8	61-3/4	3	23-5/8	81-15/16	1-1/16
600	65-5/8	45-13/16	66	116	59	118	68-1/4	3	25-15/16	86-7/16	1-1/16
660	72-3/16	50-7/16	72	121-5/8	65	129-3/8	74-3/4	3	28-1/4	91-3/16	1-1/16
730	79-7/8	55-3/4	79	141-5/16	72	142-5/8	82-3/8	3	30-7/8	96-7/16	1-1/16

Size	R	S	T	U	V	W	X	Y	Z	Max Mtr Frame
120	18-3/8	10-5/8	3-3/16	15	-	5-3/4	8-1/4	8-7/16	3/4	182T
135	19-7/8	10-5/8	3-9/16	17	-	6-5/16	8-1/4	9-3/16	3/4	184T
150	21-3/8	12-7/8	4-5/16	18	-	6-7/8	10-1/2	9-15/16	3/4	215T
165	23-3/8	12-7/8	4-7/16	20	-	7-7/16	10-1/2	10-15/16	3/4	215T
180	24-7/8	16-5/8	4-9/16	22	-	8	14-1/4	11-11/16	3/4	256T
195	26-3/8	16-5/8	5-5/16	23	9	8-5/8	14-1/4	12-7/16	3/4	256T
210	28-1/8	16-5/8	6	24	10	9-3/16	14-1/4	13-5/16	3/4	256T
225	29-5/8	18-1/8	6-3/4	25	10	9-3/4	15-3/4	14-1/16	3/4	284T
245	31-5/8	19-5/8	7-3/8	27	11	10-1/2	17-1/4	15-1/16	3/4	324T
270	34-3/8	20-1/2	8-3/8	30	12	11-7/16	18-1/8	16-7/16	3/4	364T
300	37-3/8	20-1/2	8-7/8	33	14	12-5/8	18-1/8	17-15/16	3/4	365T
330	40-3/8	22-3/4	9-7/8	36	16	13-3/4	20-3/8	19-7/16	3/4	404T
365	44-7/8	26-1/4	10-5/8	40	17	15-1/16	24	21-11/16	3/4	444T
402	48-3/4	26-7/16	11-5/8	44	20	17-1/8	24	23-3/8	1	445T
445	53	34-15/16	13-1/8	48	23	18-3/4	32-1/2	25-1/2	1	449T
490	58-1/2	34-15/16	14-1/4	53	26	20-1/2	32-1/2	28-1/4	1	449T
540	63-1/2	34-15/16	15-7/8	58	29	22-3/8	32-1/2	30-3/4	1	449T
600	69-1/2	34-15/16	17-3/4	64	32	24-5/8	32-1/2	33-3/4	1	449T
660	75-1/2	34-15/16	19-5/8	70	36	27	32-1/2	36-3/4	1	449T
730	82-1/2	34-15/16	21-3/4	77	40	29-5/8	32-1/2	40-1/4	1	449T

ALL DIMENSIONS IN INCHES.

FOR REDUCED WIDTH WHEELS

- B' = B - (Unit Size X 0.030 X Percent Reduced)
- E' = E - (Unit Size X 0.030 X Percent Reduced)
- L' = L - (Unit Size X 0.015 X Percent Reduced)
- M' = M - (Unit Size X 0.030 X Percent Reduced)
- W' = W - (Unit Size X 0.015 X Percent Reduced)

EXAMPLE: Size 300 Reduced 20%

- B' = 22.9375 - (300 X 0.030 X 0.20)
- B' = 22.9375 - (1.80)
- B' = 21.1375 OR 21-1/8