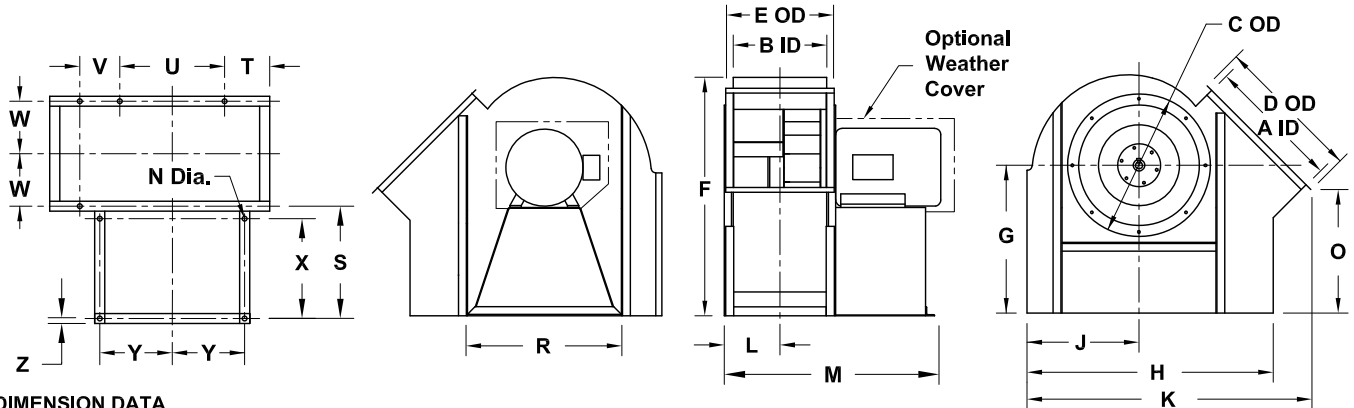


DATE: _____
 PROJECT: _____
 LOCATION: _____



**Flat Blade Centrifugal Blower
 Clockwise Bottom Angular Up
 Arrangement 4**



DIMENSION DATA

| Size | A | B | C | D | E | F | G | H | J | K | L | M | N | O |
|------|----------|----------|----------|----------|----------|-----------|----|-----|----|----------|----------|----------|--------|----------|
| 120 | 13-1/8 | 9-3/16 | 16-1/8 | 16-5/16 | 12-3/8 | 25-1/16 | 16 | 26 | 12 | 29-7/8 | 6-5/8 | 23-3/4 | 11/16 | 13 |
| 135 | 14-3/4 | 10-5/16 | 17-5/8 | 17-5/16 | 13-1/2 | 27-3/16 | 17 | 29 | 13 | 32-15/16 | 7-3/16 | 24-7/8 | 11/16 | 13-11/16 |
| 150 | 16-7/16 | 11-7/16 | 19-1/8 | 19-5/8 | 14-5/8 | 30-5/16 | 19 | 32 | 14 | 36 | 7-3/4 | 28-1/4 | 11/16 | 15-1/2 |
| 165 | 18-1/16 | 12-5/8 | 21-3/16 | 21-1/4 | 15-13/16 | 33-7/16 | 21 | 35 | 16 | 40-1/16 | 8-5/16 | 29-3/8 | 11/16 | 17-1/4 |
| 180 | 19-11/16 | 13-3/4 | 22-11/16 | 22-7/8 | 16-15/16 | 35-1/2 | 22 | 37 | 17 | 43-1/8 | 8-7/8 | 34-1/4 | 11/16 | 18 |
| 195 | 21-5/16 | 14-15/16 | 24-3/16 | 24-1/2 | 18-3/16 | 38-5/8 | 24 | 40 | 18 | 46-5/16 | 9-1/2 | 35-1/2 | 11/16 | 19-3/4 |
| 210 | 23 | 16-1/16 | 25-15/16 | 26-3/16 | 19-5/16 | 41-3/4 | 26 | 44 | 20 | 50-1/4 | 10-1/16 | 36-5/8 | 13/16 | 21-1/2 |
| 225 | 24-5/8 | 17-3/16 | 27-7/16 | 27-13/16 | 20-7/16 | 44-7/8 | 28 | 46 | 21 | 53-5/16 | 10-5/8 | 39-1/4 | 13/16 | 23-1/4 |
| 245 | 26-13/16 | 18-3/4 | 29-7/16 | 30 | 22 | 48-3/8 | 30 | 50 | 23 | 58-1/8 | 11-3/8 | 42-1/4 | 13/16 | 25 |
| 270 | 29-9/16 | 20-5/8 | 31-15/16 | 32-3/4 | 23-7/8 | 53-1/4 | 33 | 55 | 25 | 63-1/2 | 12-5/16 | 45 | 13/16 | 27-9/16 |
| 300 | 32-13/16 | 22-15/16 | 34-15/16 | 36 | 26-3/16 | 58-7/16 | 36 | 61 | 28 | 70-11/16 | 13-1/2 | 47-3/8 | 13/16 | 30-1/16 |
| 330 | 36-1/8 | 25-1/4 | 37-15/16 | 40-5/16 | 29-7/16 | 63-11/16 | 39 | 68 | 31 | 78-1/8 | 14-5/8 | 51-7/8 | 13/16 | 32-1/4 |
| 365 | 39-15/16 | 27-7/8 | 41-7/16 | 44-3/16 | 32-1/16 | 70-5/16 | 43 | 74 | 34 | 86-1/16 | 15-15/16 | 58 | 13/16 | 35-5/8 |
| 402 | 44-1/16 | 30-3/4 | 45-3/16 | 48-5/16 | 34-15/16 | 77-1/8 | 47 | 80 | 37 | 94-1/8 | 18-3/8 | 62-15/16 | 1-1/16 | 39-1/16 |
| 445 | 48-11/16 | 34 | 49-7/16 | 52-15/16 | 38-3/16 | 85-1/4 | 52 | 89 | 41 | 104-3/8 | 20 | 74-11/16 | 1-1/16 | 43-3/8 |
| 490 | 53-5/8 | 37-7/16 | 55 | 57-7/8 | 41-5/8 | 93-5/8 | 57 | 98 | 45 | 114-3/16 | 21-3/4 | 78-3/16 | 1-1/16 | 47-11/16 |
| 540 | 59-1/16 | 41-1/4 | 60 | 63-5/16 | 45-7/16 | 102-5/16 | 62 | 106 | 49 | 125 | 23-5/8 | 81-15/16 | 1-1/16 | 51-13/16 |
| 600 | 65-5/8 | 45-13/16 | 66 | 70 | 50-3/16 | 113-13/16 | 69 | 118 | 54 | 138-5/16 | 25-15/16 | 86-7/16 | 1-1/16 | 57-7/8 |
| 660 | 72-3/16 | 50-7/16 | 72 | 76-9/16 | 54-13/16 | 124-1/4 | 75 | 130 | 60 | 152-5/8 | 28-1/4 | 91-3/16 | 1-1/16 | 63 |
| 730 | 79-7/8 | 55-3/4 | 79 | 84-1/4 | 60-1/8 | 137-1/2 | 83 | 143 | 66 | 169-3/16 | 30-7/8 | 96-7/16 | 1-1/16 | 69-13/16 |

| Size | R | S | T | U | V | W | X | Y | Z | Max Mtr Frame |
|------|--------|----------|--------|----|--------|---------|--------|----------|-----|---------------|
| 120 | 18-3/8 | 10-5/8 | 4-1/2 | 15 | - | 5-3/4 | 8-1/4 | 8-7/16 | 3/4 | 182T |
| 135 | 19-7/8 | 10-5/8 | 4-1/2 | 17 | - | 6-5/16 | 8-1/4 | 9-3/16 | 3/4 | 184T |
| 150 | 21-3/8 | 12-7/8 | 5 | 18 | - | 6-7/8 | 10-1/2 | 9-15/16 | 3/4 | 215T |
| 165 | 23-3/8 | 12-7/8 | 6 | 20 | - | 7-7/16 | 10-1/2 | 10-15/16 | 3/4 | 215T |
| 180 | 24-7/8 | 16-5/8 | 6 | 22 | - | 8 | 14-1/4 | 11-11/16 | 3/4 | 256T |
| 195 | 26-3/8 | 16-5/8 | 6-1/2 | 23 | 7-1/2 | 8-5/8 | 14-1/4 | 12-7/16 | 3/4 | 256T |
| 210 | 28-1/8 | 16-5/8 | 8 | 24 | 9 | 9-3/16 | 14-1/4 | 13-5/16 | 3/4 | 256T |
| 225 | 29-5/8 | 18-1/8 | 8-1/2 | 25 | 9-1/2 | 9-3/4 | 15-3/4 | 14-1/16 | 3/4 | 284T |
| 245 | 31-5/8 | 19-5/8 | 9-1/2 | 27 | 10-1/2 | 10-1/2 | 17-1/4 | 15-1/16 | 3/4 | 324T |
| 270 | 34-3/8 | 20-1/2 | 10 | 30 | 12 | 11-7/16 | 18-1/8 | 16-7/16 | 3/4 | 364T |
| 300 | 37-3/8 | 20-1/2 | 11-1/2 | 33 | 13-1/2 | 12-5/8 | 18-1/8 | 17-15/16 | 3/4 | 365T |
| 330 | 40-3/8 | 22-3/4 | 13 | 36 | 15 | 13-3/4 | 20-3/8 | 19-7/16 | 3/4 | 404T |
| 365 | 44-7/8 | 26-1/4 | 14 | 40 | 16 | 15-1/16 | 24 | 21-11/16 | 3/4 | 444T |
| 402 | 48-3/4 | 26-7/16 | 15 | 44 | 17 | 17-1/8 | 24 | 23-3/8 | 1 | 445T |
| 445 | 53 | 34-15/16 | 17 | 48 | 20 | 18-3/4 | 32-1/2 | 25-1/2 | 1 | 449T |
| 490 | 58-1/2 | 34-15/16 | 18-1/2 | 53 | 22-1/2 | 20-1/2 | 32-1/2 | 28-1/4 | 1 | 449T |
| 540 | 63-1/2 | 34-15/16 | 20 | 58 | 24 | 22-3/8 | 32-1/2 | 30-3/4 | 1 | 449T |
| 600 | 69-1/2 | 34-15/16 | 22 | 64 | 28 | 24-5/8 | 32-1/2 | 33-3/4 | 1 | 449T |
| 660 | 75-1/2 | 34-15/16 | 25 | 70 | 31 | 27 | 32-1/2 | 36-3/4 | 1 | 449T |
| 730 | 82-1/2 | 34-15/16 | 27-1/2 | 77 | 34-1/2 | 29-5/8 | 32-1/2 | 40-1/4 | 1 | 449T |

ALL DIMENSIONS IN INCHES.

FOR REDUCED WIDTH WHEELS

- B' = B - (Unit Size X 0.030 X Percent Reduced)
- E' = E - (Unit Size X 0.030 X Percent Reduced)
- L' = L - (Unit Size X 0.015 X Percent Reduced)
- M' = M - (Unit Size X 0.030 X Percent Reduced)
- W' = W - (Unit Size X 0.015 X Percent Reduced)

EXAMPLE: Size 300 Reduced 20%

- B' = 22.9375 - (300 X 0.030 X 0.20)
- B' = 22.9375 - (1.80)
- B' = 21.1375 OR 21-1/8