



# COOK

# CIC

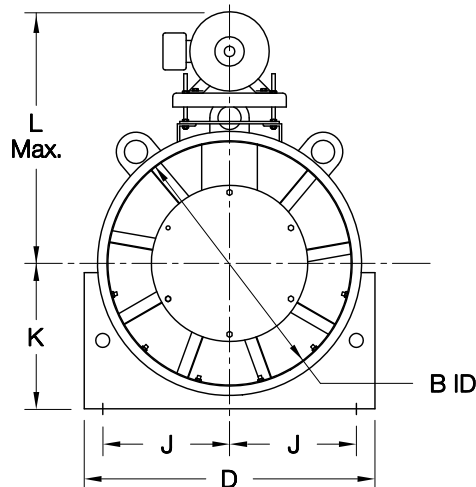
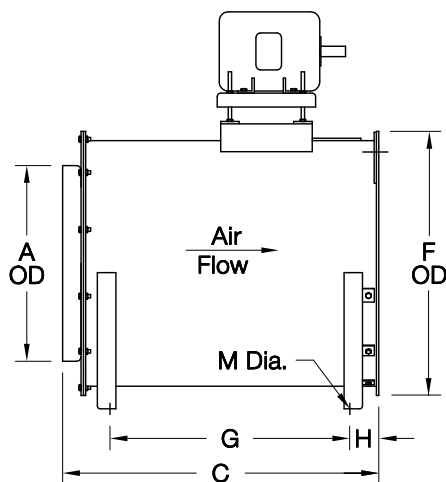
DATE: \_\_\_\_\_

PROJECT: \_\_\_\_\_

LOCATION: \_\_\_\_\_



**Tubular Centrifugal Inline  
Floor Mounted  
Arrangement 9**



DISCHARGE VIEW

**DIMENSION DATA**

Size	A	B	C	D	F	G	H	J	K	L*	M	Max. Mtr. Frame	Ship Wt. **
120	16-1/8	19-1/4	25-3/4	25	21-3/8	16-3/8	3-5/8	10-1/2	12-1/2	20-7/8	1/2	184T	210
135	17-5/8	21-9/16	29-1/2	26-3/4	23-3/4	20-1/8	3-5/8	11-3/8	13-3/8	22-7/8	1/2	184T	257
150	19-1/8	23-15/16	31-1/4	29	26-1/8	21-7/8	3-5/8	12-1/2	14-1/2	24	1/2	184T	310
165	21-3/16	26-5/16	33-15/16	31-3/8	28-1/2	24-5/8	3-5/8	13-11/16	15-11/16	26-3/8	1/2	184T	367
180	22-11/16	28-7/16	35-3/8	34-1/8	31-5/8	24-5/8	4-1/4	15-1/16	17-1/16	30	9/16	215T	431
195	24-3/16	30-13/16	38-1/8	36-1/2	34	27-3/8	4-1/4	16-1/4	18-1/4	32-1/2	9/16	215T	498
210	25-15/16	33-1/4	40-15/16	39-1/2	36-7/16	30-3/16	4-1/4	17-3/4	19-3/4	34-1/4	9/16	256T	572
225	27-7/16	35-5/8	43-11/16	41-3/4	38-13/16	32-15/16	4-1/4	18-7/8	20-7/8	37	9/16	256T	649
245	29-7/16	38-13/16	47-3/8	45	42	36-5/8	4-1/4	19-1/2	22-1/2	37-3/4	11/16	256T	770
270	31-15/16	42-5/16	50-1/8	49	45-1/2	39-3/8	4-1/4	21-1/2	24-1/2	40-3/4	11/16	286T	923
300	35	46-9/16	53-5/8	53	49-3/4	42-7/8	4-1/4	23-1/2	26-1/2	43-1/2	11/16	286T	1122
330	38	50-11/16	59-1/8	57	53-7/8	48-3/8	4-1/4	25-1/2	28-1/2	46-1/2	11/16	324T	1340
365	41-1/2	55-3/4	64-3/8	62	59-15/16	50-1/8	6	28	31	50	13/16	326T	1659
402	45-1/4	61-1/8	67-11/16	68	65-5/16	53-7/16	6	29	34	54-1/2	13/16	364T	1994
445	49-1/2	67-1/8	77-1/16	74	71-3/8	62-13/16	6	32	37	58	13/16	364T	2412
490	55	74-1/8	82-5/16	82	79-3/8	66-1/16	7	36	41	62	13/16	365T	2974
540	60	81-1/8	88-13/16	89	86-3/8	72-9/16	7	39-1/2	44-1/2	65-1/2	13/16	365T	3573
600	66	89-5/8	100-1/16	98	94-7/8	83-13/16	7	44	49	70	13/16	365T	4370
660	72	98-5/16	107-1/16	107	103-9/16	90-13/16	7	48-1/2	53-1/2	74-1/2	13/16	365T	5246
730	79	108-5/16	113-1/16	117	113-9/16	96-13/16	7	53-1/2	58-1/2	79-1/2	13/16	365T	6362

ALL DIMENSIONS IN INCHES. WEIGHTS IN LBS., LESS MOTOR.

\*MAY VARY WITH MOTOR FRAME SIZE.

\*\*SHIPPING WEIGHT BASED ON CLASS I CONSTRUCTION.