



# COOK

# CIC

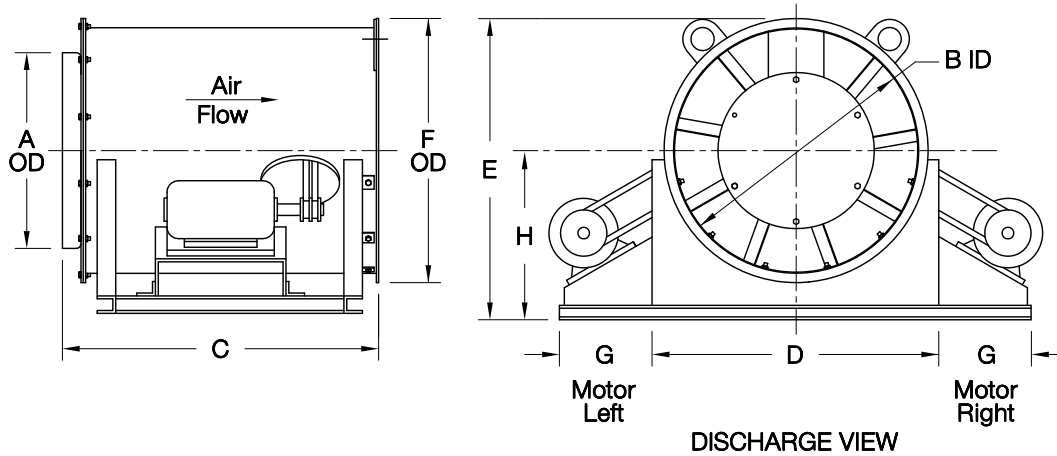
DATE: \_\_\_\_\_

PROJECT: \_\_\_\_\_

LOCATION: \_\_\_\_\_



## Tubular Centrifugal Inline Floor Mounted Arrangement 1



### DIMENSION DATA

Size	A	B	C	D	E	F	G*	H	Ship Wt **
120	16-1/8	19-1/4	27-3/4	25	26-11/16	21-1/4	14-3/4	15-1/2	259
135	17-5/8	21-9/16	29-1/2	26-3/4	28-3/4	23-3/4	14-3/4	16-3/8	306
150	19-1/8	23-15/16	31-1/4	29	31-1/16	26	14-3/4	17-1/2	359
165	21-3/16	26-5/16	33-15/16	31-3/8	33-7/16	28-3/8	14-3/4	18-11/16	417
180	22-11/16	28-7/16	35-3/8	34-1/8	35-7/8	31-5/8	16-7/16	20-1/16	481
195	24-3/16	30-13/16	38-1/8	36-1/2	38-1/4	34	16-7/16	21-1/4	551
210	25-15/16	33-1/4	40-15/16	39-1/2	40-31/32	36-7/16	19-1/16	22-3/4	628
225	27-7/16	35-5/8	43-11/16	41-3/4	43-9/32	38-13/16	19-1/16	23-7/8	710
245	29-7/16	38-13/16	47-3/8	45	47-1/2	42	19-1/16	26-1/2	829
270	31-15/16	42-5/16	50-1/8	49	51-1/4	45-1/2	21	28-1/2	993
300	35	46-9/16	53-5/8	53	55-3/8	49-3/4	21	30-1/2	1212
330	38	50-11/16	59-1/8	57	59-7/16	53-7/8	23-15/16	32-1/2	1457
365	41-1/2	55-3/4	64-3/8	62	64-31/32	59-15/16	23-15/16	35	1774
402	45-1/4	61-1/8	67-11/16	68	72-21/32	65-5/16	26-9/16	40	2148
445	49-1/2	67-1/8	77-1/16	74	78-11/16	71-3/8	26-9/16	43	2633
490	55	74-1/8	82-5/16	82	86-11/16	79-3/8	26-9/16	47	3200
540	60	81-1/8	88-13/16	89	93-11/16	86-3/8	26-9/16	50-1/2	3904
600	66	89-5/8	100-1/16	98	102-7/16	94-7/8	26-9/16	55	4853
660	72	98-5/16	107-1/16	107	111-1/4	103-9/16	26-9/16	59-1/2	5920
730	79	108-5/16	113-1/16	117	121-1/4	113-9/16	26-9/16	64-1/2	7321

ALL DIMENSIONS IN INCHES. WEIGHTS IN LBS., LESS MOTOR.

\*MAY VARY WITH MOTOR FRAME SIZE.

\*\* SHIPPING WEIGHTS BASED ON CLASS I CONSTRUCTION.