



COOK

CIC

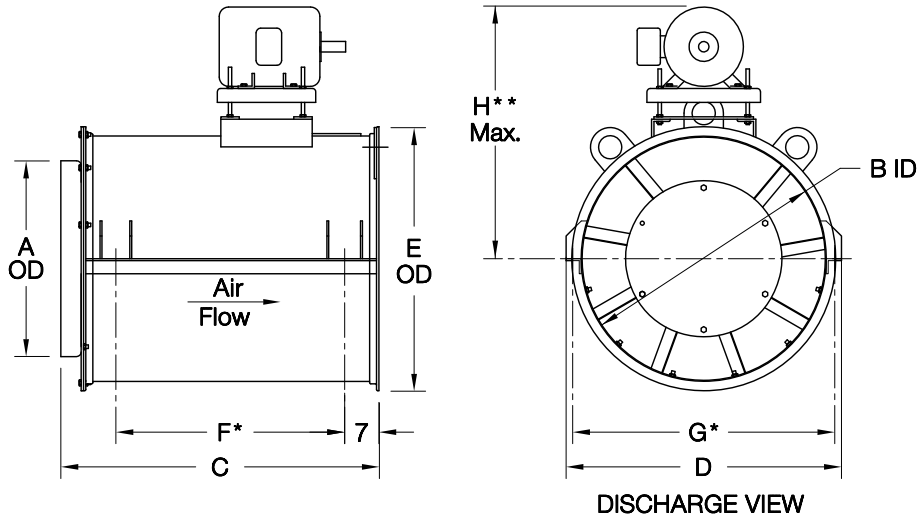
DATE: _____

PROJECT: _____

LOCATION: _____



**Tubular Centrifugal Inline
Ceiling Mounted
Sizes 540-730
Arrangement 9**



DIMENSION DATA

| Size | A | B | C | D | E | F* | G* | H** | Max Mtr Frame | SHIP Wt. *** |
|------|----|----------|----------|----------|----------|----------|----------|--------|---------------|--------------|
| 540 | 60 | 81-1/8 | 88-13/16 | 89-3/8 | 86-3/8 | 72-9/16 | 85-7/8 | 65-1/2 | 365T | 3577 |
| 600 | 66 | 89-5/8 | 100-1/16 | 97-7/8 | 94-7/8 | 83-13/16 | 94-3/8 | 70 | 365T | 4323 |
| 660 | 72 | 98-5/16 | 107-1/16 | 106-9/16 | 103-9/16 | 90-13/16 | 103-1/16 | 74-1/2 | 365T | 5128 |
| 730 | 79 | 108-5/16 | 113-1/16 | 116-9/16 | 113-9/16 | 96-13/16 | 113-1/16 | 79-1/2 | 365T | 6130 |

ALL DIMENSIONS IN INCHES. WEIGHTS IN LBS., LESS MOTOR.

*MOUNTING HOLE LOCATIONS.

**MAY VARY WITH MOTOR FRAME SIZE.

***SHIPPING WEIGHT BASED ON CLASS I CONSTRUCTION.