



COOK

CIC

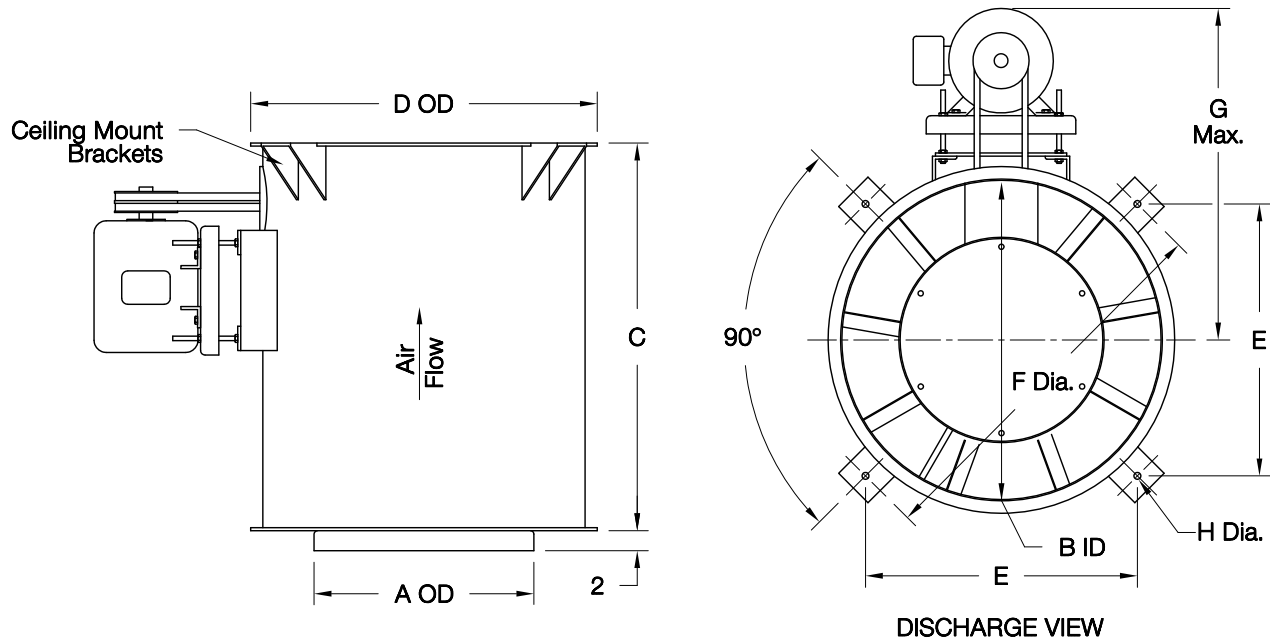
DATE: _____

PROJECT: _____

LOCATION: _____



Tubular Centrifugal Inline Vertical Upblast Ceiling Mounted Arrangement 9



DIMENSION DATA

Size	A	B	C	D	E	F	G*	H	Mtr. Max. Frame	Ship Wt.**
120	16-1/8	19-1/4	23-3/4	21-3/8	17-15/16	25-3/8	20-7/8	5/8	184T	195
135	17-5/8	21-9/16	27-1/2	23-3/4	19-5/8	27-3/4	22-7/8	5/8	184T	240
150	19-1/8	23-15/16	29-1/4	26-1/8	21-5/16	30-1/8	24	5/8	184T	291
165	21-3/16	26-5/16	31-15/16	28-1/2	23	32-1/2	26-3/8	5/8	184T	347
180	22-11/16	28-7/16	33-3/8	31-5/8	25-3/16	35-5/8	30	5/8	215T	407
195	24-3/16	30-13/16	36-1/8	34	26-7/8	38	32-1/2	5/8	215T	472
210	25-15/16	33-1/4	38-15/16	36-7/16	28-5/8	40-7/16	34-1/4	5/8	256T	542
225	27-7/16	35-5/8	41-11/16	38-13/16	30-5/16	42-13/16	37	5/8	256T	617
245	29-7/16	38-13/16	45-3/8	42	32-9/16	46	37-3/4	5/8	256T	724
270	31-15/16	42-5/16	48-1/8	45-1/2	35	49-1/2	40-3/4	5/8	286T	870
300	35	46-9/16	51-5/8	49-3/4	38	53-3/4	43-1/2	5/8	286T	1063
330	38	50-11/16	57-1/8	53-7/8	40-15/16	57-7/8	46-1/2	5/8	324T	1275
365	41-1/2	55-3/4	62-3/8	59-15/16	45-1/4	63-15/16	50	7/8	326T	1547
402	45-1/4	61-1/8	65-11/16	65-5/16	49	69-5/16	54-1/2	7/8	364T	1862
445	49-1/2	67-1/8	75-1/16	71-3/8	53-5/16	75-3/8	58	7/8	364T	2266
490	55	74-1/8	80-5/16	79-3/8	59	83-3/8	62	1-1/4	365T	2731
540	60	81-1/8	86-13/16	86-3/8	63-15/16	90-3/8	65-1/2	1-1/4	365T	3298
600	66	89-5/8	98-1/16	94-7/8	69-15/16	98-7/8	70	1-1/4	365T	4049
660	72	98-5/16	105-1/16	103-9/16	76-1/16	107-9/16	74-1/2	1-1/4	365T	4877
730	79	108-5/16	111-1/16	113-9/16	83-1/8	117-9/16	79-1/2	1-1/4	365T	5940

ALL DIMENSIONS IN INCHES. WEIGHTS IN LBS., LESS MOTOR.

*MAY VARY WITH MOTOR FRAME SIZE.

**SHIPPING WEIGHT BASED ON CLASS I CONSTRUCTION.

C1005R01