



# COOK

# CIC

DATE: \_\_\_\_\_

PROJECT: \_\_\_\_\_

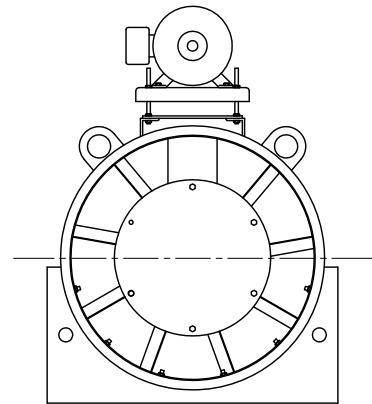
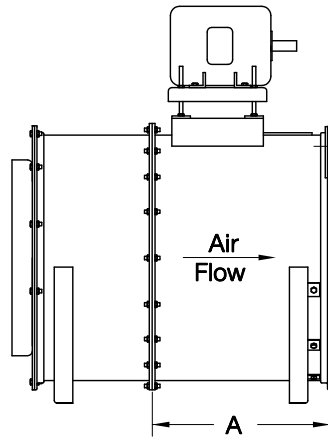
LOCATION: \_\_\_\_\_



## Tubular Centrifugal Inline Vertical Split Housing Sizes 120-730

### DIMENSION DATA

Size	A
120	17-5/8
135	18-1/4
150	18-1/8
165	18-1/8
180	25-1/2
195	25-1/2
210	29
225	29
245	29-3/8
270	32-1/2
300	33
330	34
365	35-1/2
402	37-1/2
445	40-11/16
490	43-1/2
540	44-1/4
600	50-7/16
660	52-9/16
730	53-13/16



DISCHARGE VIEW

ALL DIMENSIONS IN INCHES.  
HORIZONTAL FLOOR MOUNT, ARRANGEMENT 9, MOTOR POSITION "A" SHOWN