



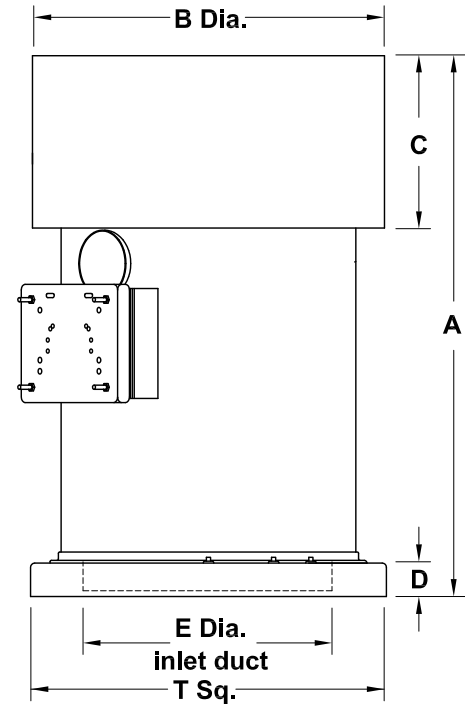
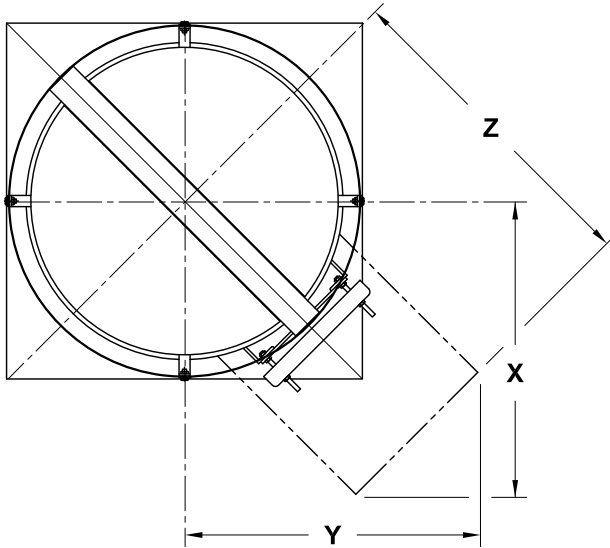
**COOK**

**UCIC**

DATE: \_\_\_\_\_  
 PROJECT: \_\_\_\_\_  
 LOCATION: \_\_\_\_\_



**Tubular Centrifugal Blower**  
**Upblast**  
**Roof Mounted**



**DIMENSION DATA**

Size	T Sq.	A	B Dia.	C	D	E	X & Y Max.	Z Max.	Max Mtr Frame	Roof Opening	Ship Wt. **
120	24	36-1/2	24-3/8	11-1/4	3	16-1/8	22-3/4	24-1/4	184T	19-1/2	243
135	28	41-3/8	26-3/4	13	3	17-5/8	27-1/4	26-1/4	184T	23-1/2	301
150	30	44-3/4	28-1/8	14-1/2	3	19-1/8	28-1/4	28	184T	25-1/2	364
165	30	48-5/8	31-1/2	15-1/2	3	21-3/16	29-1/4	29-1/2	184T	25-1/2	433
180	36	53-3/8	34-5/8	20-1/4	3	22-11/16	34-3/4	33	215T	31-1/2	509
195	38	56-7/8	37	21	3	24-3/16	35-3/4	34-1/2	215T	33-1/2	590
210	42	61-1/2	39-7/16	22-15/16	3	25-15/16	42-1/4	36-1/2	256T	37-1/2	678
225	42	66-5/16	41-13/16	24-7/8	3	27-7/16	43-1/4	38-1/2	256T	37-1/2	771
245	48	70-5/8	45	25-1/2	3	29-7/16	44-3/4	41	256T	43-1/2	905
270	54	75-1/8	48-1/2	27-1/4	3	31-15/16	48-1/2	43-3/4	286T	49-1/2	1088
300	54	80-3/4	52-3/4	29-3/8	3	35	50-1/4	46-3/4	286T	49-1/2	1329
330	60	88-3/8	56-7/8	31-1/2	3	38	51-3/4	49-1/4	324T	55-1/2	1594
365	62	99-1/8	61-15/16	35	3	41-1/2	53-3/4	52-1/2	326T	57-1/2	1933
*402	72	102-1/16	67-5/16	37-5/8	3	45-1/4	58-1/4	55-1/4	364T	67-1/2	2328
*445	76	114-7/16	73-5/16	40-5/8	3	49-1/2	60-1/2	59	364T	71-1/2	2833
*490	84	124-15/16	80-3/8	44-1/4	4	55	66-1/4	65-1/4	365T	79-1/2	3413
*540	92	134-3/16	87-3/8	47-5/8	4	60	68-3/4	69-1/4	365T	87-1/2	4122
*600	98	148-13/16	95-7/8	52	4	66	71-3/4	74	365T	93-1/2	5061

ALL DIMENSIONS IN INCHES. WEIGHTS IN LBS., LESS MOTOR.

\*Sizes 402-600 are shipped with windband and motor removed. These components require field assembly.

\*\*Ship weight based on Class I construction.

CI101R04