

MARK: _____

PROJECT: _____

DATE: _____



Centri-Vane All Aluminum Inline Centrifugal Blower Belt Drive

DIMENSION DATA

Size	A	B	C	D	E	F Max.	G	H	Wheel Dia.	Max. Mtr. Frame	Alum. Thk.	Ship Wt. less Mtr.
*10	10	15	16-3/16	8-11/16	1-5/16	11-1/4	12-1/4	13	12-15/16	48T	.080	62
12	12	17-1/8	19-1/8	9-15/16	1-5/16	11-1/4	14-1/8	15-1/8	15-9/16	182T	.100	68
14	14	19-1/8	22	11-7/16	1-5/16	11-1/4	16-1/4	17-1/8	18-1/4	182T	.100	81
16	16	21-9/16	24-7/8	12-11/16	1-5/16	11-1/4	18-1/4	19-9/16	20-15/16	184T	.100	93
18	18	24-1/2	27-3/4	14	1-5/16	11-1/4	20-3/8	22-1/2	23-9/16	184T	.100	175
20	20	26-3/8	30-1/2	15-3/4	1-5/16	13-1/4	22-1/2	24-3/8	26-1/4	213T	.100	204
24	24	31-1/4	36-1/2	18-5/8	1-9/16	13-1/4	26-3/4	29-1/4	31-9/16	215T	.100	279
28	28	36	42	21-1/2	1-9/16	15-1/2	30-3/4	34	36-7/8	215T	.100	381
32	32	40-7/8	48	24-7/16	1-9/16	15-1/2	35-3/16	38-7/8	42-3/16	215T	.125	495
36	36	44-1/4	53-3/8	26-3/4	1-9/16	15-1/2	39-3/8	42-1/4	47-1/2	215T	.125	617

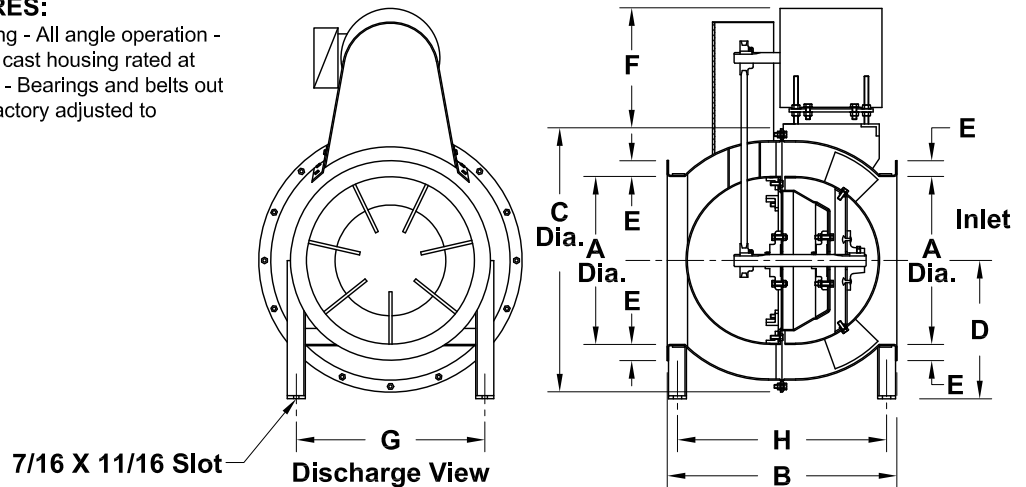
ALL DIMENSIONS IN INCHES. WEIGHTS IN LBS. *NOT AMCA CERTIFIED.

STANDARD CONSTRUCTION FEATURES:

All aluminum construction - Fully rotatable housing - All angle operation - Straightening vanes - Regreasable bearings in a cast housing rated at 200,000 hours average life - Extended lube lines - Bearings and belts out of the airstream - Static resistant belts - All fans factory adjusted to specified fan RPM - Five year fan warranty.

ACCESSORIES

1. DISCONNECT SWITCH
2. BELT GUARD
3. WEATHER COVER
4. COMPANION FLANGE
5. FLEXIBLE DUCT CONNECTOR
6. VIBRATION PADS
7. INLET SCREEN
8. OUTLET SCREEN
9. VOLUME CONTROL DAMPER
10. INLET VANE DAMPER
11. EPOXY COATING



QTY	MARK	CATALOG NUMBER	FAN INFORMATION			MOTOR INFORMATION					ACCESSORIES							
			CFM	SP	RPM	HP	VOLTS	HZ	PH	TYPE								

LARGEST MOTOR SHIPPED MOUNTED: ODP (OPEN DRIP-PROOF) 2 HP; 2 SP (2 SPEED) 1 HP;
X-PRF (EXPLOSION PROOF) 1 HP; TEFC (TOTALLY ENCLOSED FAN COOLED) 1 HP.