



COOK

UCV

DATE: _____

PROJECT: _____

LOCATION: _____



**Upblast Centri-Vane
All Aluminum Inline
Centrifugal Blower
Roof Mounted/Belt Drive**

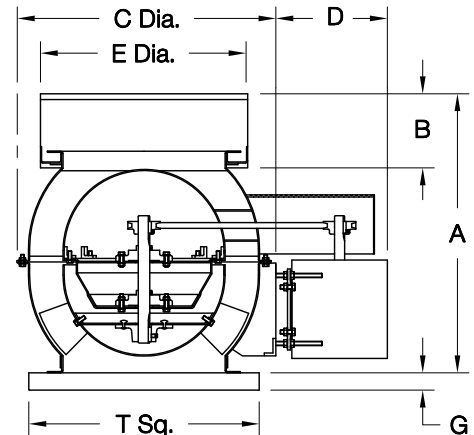
DIMENSION DATA

Size	A	B	C	D	E	G	T	Shaft Dia.	Wheel Dia.	Ga. of Mat'l housing/base	Ship Wt. less Mtr.
10	23-1/2	8	16-3/16	15	14	2	20	1	12-15/16	.080/.080	92
12	25-1/8	9	19-1/8	15	16	2	20	1	15-9/16	.100/.080	98
14	29-1/8	10	22	16	18	2	24	1	18-1/4	.100/.080	121
16	31-9/16	11	24-7/8	17	21	2	24	1	20-15/16	.100/.080	143
18	36-1/2	12	27-3/4	19	23	2	28	1	23-9/16	.100/.080	208
20	38-1/2	13	30-1/2	19	25	2	28	1	26-1/4	.100/.080	274
24	45-3/8	15	36-1/2	21	29	3	32	1-3/16	31-9/16	.100/.080	369
28	52	17	42	29	33	3	36	1-11/16	36-7/8	.100/.080	491
32	58-7/8	19	48	30	37	3	42	1-11/16	42-3/16	.125/.080	625
36	64	21	53-3/8	32	41	3	48	1-15/16	47-1/2	.125/.080	767

ALL DIMENSIONS IN INCHES. WEIGHTS IN LBS. DRIVES THROUGH 5 H.P. ARE ALL VARIABLE PITCH.

STANDARD CONSTRUCTION FEATURES:

All aluminum construction – Butterfly damper assembly with wind band – Weather cover – Straightening vanes – Regreasable bearings in a cast housing rated at 200,000 hours average life – Extended lube lines – Bearings and belts out of the airstream – Static resistant belts – All fans factory adjusted to specified fan RPM – Five year fan warranty.



ACCESSORIES

1. DISCONNECT SWITCH
2. RCG GALVANIZED CURB
3. RCA ALUMINUM CURB
4. EPOXY COATING

QTY	MARK	CATALOG NUMBER	FAN INFORMATION			MOTOR INFORMATION					ACCESSORIES						
			CFM	SP	RPM	HP	VOLTS	HZ	PH	TYPE							

LARGEST MOTOR SHIPPED MOUNTED: ODP (OPEN DRIP-PROOF) 2 HP; 2 SP (2 SPEED) 1 HP; X-PRF (EXPLOSION PROOF) 1 HP; TEFC (TOTALLY ENCLOSED FAN COOLED) 1 HP.

CV002R05