



COOK

TCN-B

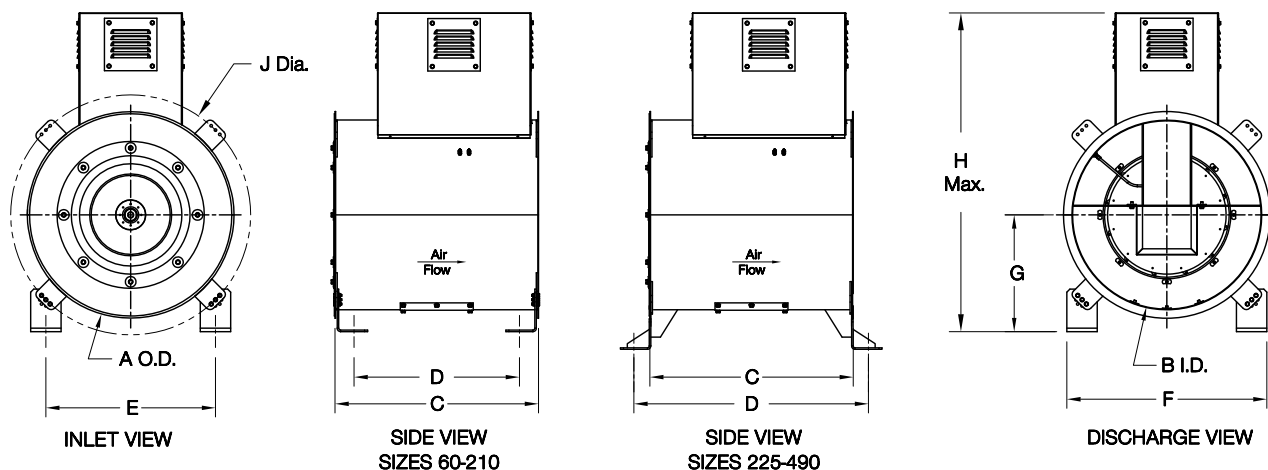
DATE: _____

PROJECT: _____

LOCATION: _____



**Tubular Centrifugal Inline
Belt Drive
Arr. 9**



STANDARD CONSTRUCTION FEATURES:

All aluminum wheel – Minimum 12 gauge steel housing with standard inspection door – Lorenized baked powder paint finish – Universal mounting feet and brackets for vertical or horizontal mounting – Regreasable bearings in cast housing rated at 400,000 hours average life – Extended lube lines – Adjustable pitch drives through 5 hp – All fans factory adjusted to specified fan RPM.

ACCESSORIES

1. DISCONNECT SWITCH
2. BELT GUARD
3. OSHA BELT GUARD/MOTOR COVER
4. INLET/OUTLET FLEX DUCT CONNECTOR
5. INLET/OUTLET GUARD
6. INLET/OUTLET COMPANION FLANGE
7. ALUMINUM EXTERNAL INLET VANE DAMPER
8. STEEL EXTERNAL INLET VANE DAMPER
9. CEILING MOUNTED RUBBER IN SHEAR ISOLATORS
10. FLOOR MOUNTED RUBBER IN SHEAR ISOLATORS
11. CEILING MOUNTED SPRING ISOLATORS
12. FLOOR MOUNTED SPRING ISOLATORS
13. ACCESS DOOR

DIMENSION DATA

Size	A	B	C	D	E	F	G	H	J	Max. Mtr. Frame	Ship Wt.
60	19	16	22	18-1/2	14-11/16	17-11/16	10-1/8	30-5/8	20-15/16	143T	125
70	19	16	22	18-1/2	14-11/16	17-11/16	10-1/8	30-5/8	20-15/16	143T	125
80	19	16	22	18-1/2	14-11/16	17-11/16	10-1/8	30-5/8	20-15/16	143T	125
100	19	16	22	18-1/2	14-11/16	17-11/16	10-1/8	30-5/8	20-15/16	143T	125
120	21	18	23	19-1/2	16-1/8	19-1/8	10-7/8	32-3/16	22-15/16	145T	167
135	24	21	24-1/2	20	18-1/4	21-1/4	13-3/8	36-3/4	26	145T	206
150	27	24	27-1/4	22-1/2	20-3/8	23-3/8	14-1/2	43-1/4	29	145T	250
165	29	26	28-3/4	23	22-3/4	26-7/8	15-3/4	45-3/4	32-3/8	182T	295
180	31	28	31-1/4	26-1/2	24-13/16	28-3/16	16-3/8	47-3/4	34-7/16	182T	340
195	34	31	33-1/2	27-3/4	27-3/4	32-3/4	19-1/8	52-3/16	39-7/16	182T	390
210	37	34	34-3/4	29	29-7/8	37-7/8	20-3/16	55-1/8	42-7/16	182T	440
225	40-1/4	36	35-1/2	40-7/8	34-1/4	42-1/16	22-7/8	62-1/8	48-7/16	184T	500
245	44-1/4	40	41	46-3/8	37-1/8	44-15/16	24-5/16	65-7/8	52-1/2	213T	580
270	48-1/4	44	46-1/2	51-13/16	40	47-3/4	25-3/4	71-5/8	56-9/16	213T	690
300	52-1/4	48	48-1/4	53-9/16	42-7/8	50-5/8	29-3/16	75-7/8	60-9/16	215T	840
330	56-1/4	52	52	57-3/16	45-3/4	53-1/2	30-9/16	80-1/2	64-5/8	215T	990
365	58-1/4	54	54	59-3/16	47-1/8	54-15/16	33-5/16	83-5/16	66-5/8	215T	1160
402	64-1/4	60	59-1/2	64-13/16	51-3/8	59-3/16	35-7/16	92-5/8	72-5/8	215T	1360
445	70-1/4	66	66	71-5/16	55-11/16	63-7/16	39-9/16	99-1/16	78-5/8	254T	1630
490	77-1/4	73	72-1/2	77-13/16	60-5/8	68-7/16	42-1/16	106-1/4	85-3/4	254T	1900

ALL DIMENSIONS IN INCHES. WEIGHTS IN LBS., LESS MOTOR.

CV007R03