



COOK TCNHBLE ISOLATION BOX

DATE: _____

PROJECT: _____

LOCATION: _____



**Tubular Centrifugal Inline
Upblast
Roof Mounted
Arrangement 9
With Isolation Box**

DIMENSION DATA

Size	A	B	C	D	E	F	UNIT WT.
100	120	23 1/16	23 1/2	20	55 1/4	31-3/4	442
120	120	27 1/16	27 1/2	22	52 1/4	32-3/4	537
135	120	29	29 3/8	26	47 1/4	33-3/4	669
150	120	31	31 3/8	29	41 1/2	36-1/2	754
165	120	33	33 3/8	30	39	38	831
180	120	36 7/8	37 3/8	35	31 1/2	40-1/2	947
195	120	40 7/8	41 3/8	39	25 1/4	42-3/4	1059
210	120	42 7/8	43 3/8	42	21 1/2	43-1/2	1146
225	120	46 7/8	47 3/8	44	18 1/4	44-3/4	1403
245	120	48 7/8	49 3/8	50	6 3/4	50-1/4	1505
270	124 3/4	52 7/8	53 3/8	56	-	55-3/4	1644
300	130 1/2	58 7/8	59 3/8	60	-	57-1/2	1880
330	138 1/4	60 3/4	61 3/8	64	-	61-1/4	2059
365	141 1/4	63 3/4	64 3/8	65	-	63-1/4	2287
402	153 3/4	70 3/4	71 3/8	72	-	68-3/4	2632
445	168 1/4	75 3/4	76 3/8	80	-	75-1/4	3076
490	181 3/4	82 3/4	83 1/4	87	-	81-3/4	3669

ALL DIMENSIONS IN INCHES. WEIGHTS IN LBS.
 * RECOMMENDED CURB OUTSIDE SQUARE DIMENSION.
 ** MIXING BOX INSIDE SQUARE DIMENSION.
 *** DIMENSION IS FROM THE BOTTOM OF CURB CAP TO TOP OF CURB.

STANDARD CONSTRUCTION FEATURES

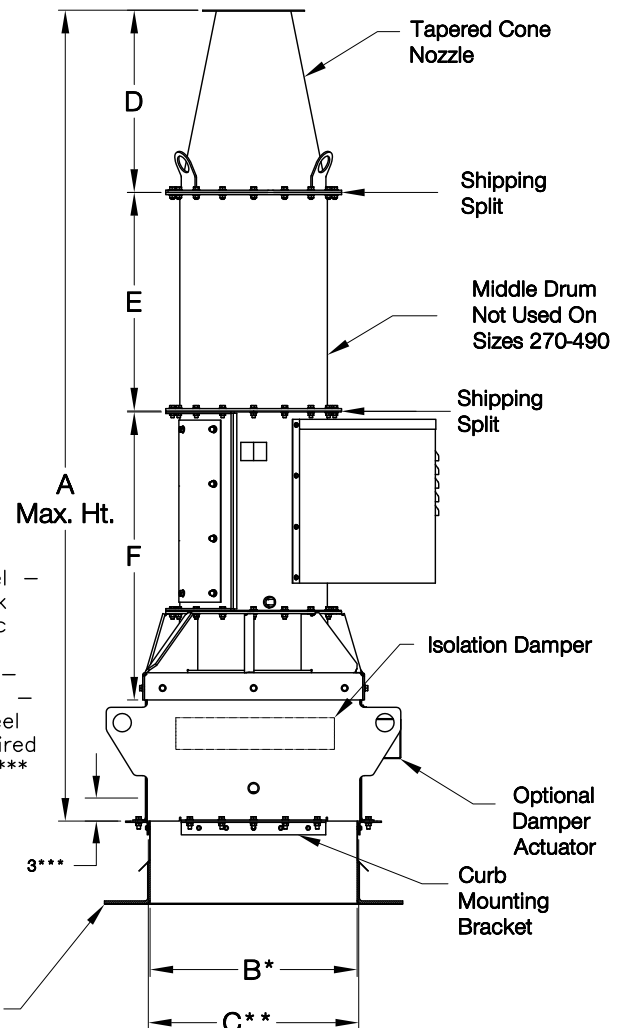
FAN: Backwards inclined, non-overloading welded Aluminum wheel – Minimum 12 gauge steel welded housing – AMCA type "B" spark resistant construction – High velocity discharge cone – Phenolic Epoxy Powder with UV protection (Light Gray) – L10-100k Concentric locking regreasable bearings – Bolted access door – Lifting lugs – Fan drain – Weather cover – Reinforced curb cap – Stainless Steel shaft – Stainless Steel hardware – Stainless Steel extended lube lines – NEMA 3R disconnect mounted and pre-wired – 1.5 Service factor drives – Designed to withstand 125 mph****

Inlet Plenum: Type (Single) – Inlet Location (Bottom) – Lifting Lugs – Door (Bolted) – Stainless Steel Hardware – Drain

OPTIONAL FEATURES SHOWN:

Heavy Duty Lab Exhaust Curb
 Intake Opening
 Isolation Damper
 Damper Actuator

Optional Heavy Duty Lab Exhaust Curb



NOT INTENDED TO BE SUPPORTED BY TRADITIONAL SHEETMETAL ROOF CURB, BUT BY INTEGRAL MEMBERS OF ROOF STRUCTURE.

**** WINDLOAD RATING DEPENDANT ON ADEQUATE ATTACHMENT TO ROOF STRUCTURE.