



COOK

Duct Blower Filter

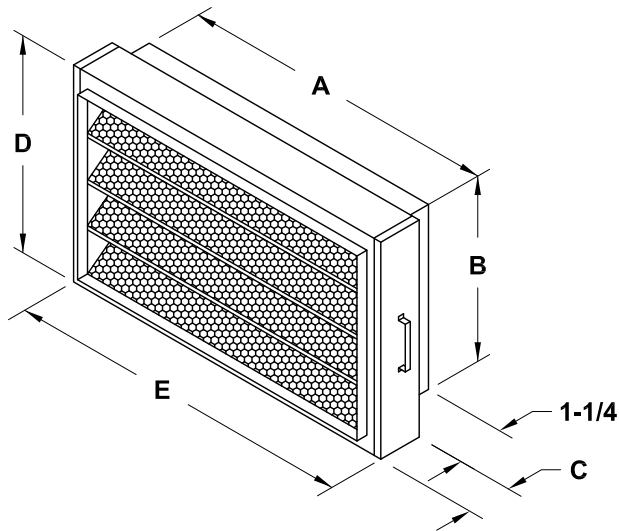
DATE: _____

Accessory Data Sheet

PROJECT: _____

DB, DBX, SDB

LOCATION: _____



DIMENSION DATA

Size	A	B	C	D	E	Filter Size Sq. In.	Filter Unit Weight
F-8	15-7/8	13-3/16	6	15-7/16	18-1/8	457	15
F-9	18-7/8	15-7/8	6	18-1/8	21-1/8	575	17
F-10	20-1/8	17-7/8	6	20-1/8	22-3/8	638	18
F-13	24-7/8	20-15/16	9	23-3/16	27-1/8	1207	35
F-15	30-1/4	24-11/16	11	26-15/16	32-1/2	1833	47
F-18	38-3/4	29-5/8	12	31-7/8	41	2860	61
F-21	45	36-1/4	12	40-1/4	49	3601	79
F-24-1/2	49	39-3/4	14	43-3/4	53	4531	102

ALL DIMENSIONS IN INCHES. WEIGHTS IN LBS., LESS MOTOR.

STANDARD CONSTRUCTION FEATURES:

Galvanized steel housing - Removable filter drawer - Polyurethane foam washable filter media - Integral duct collars.