



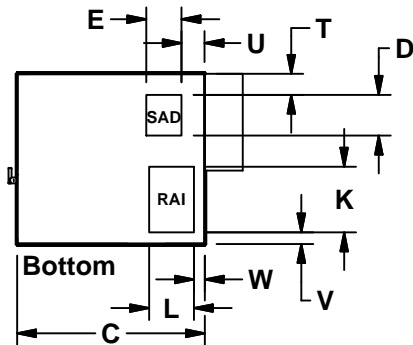
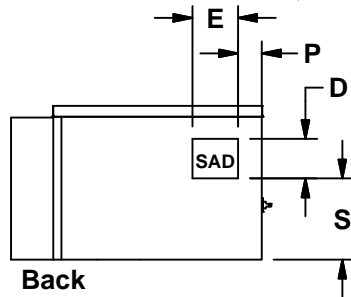
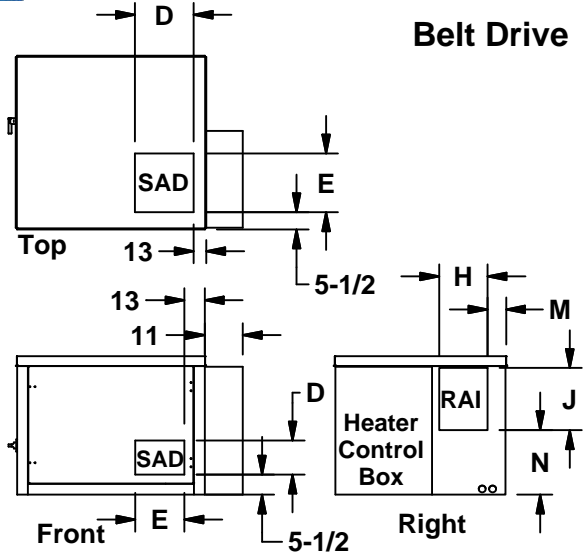
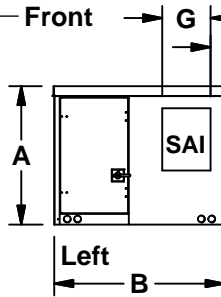
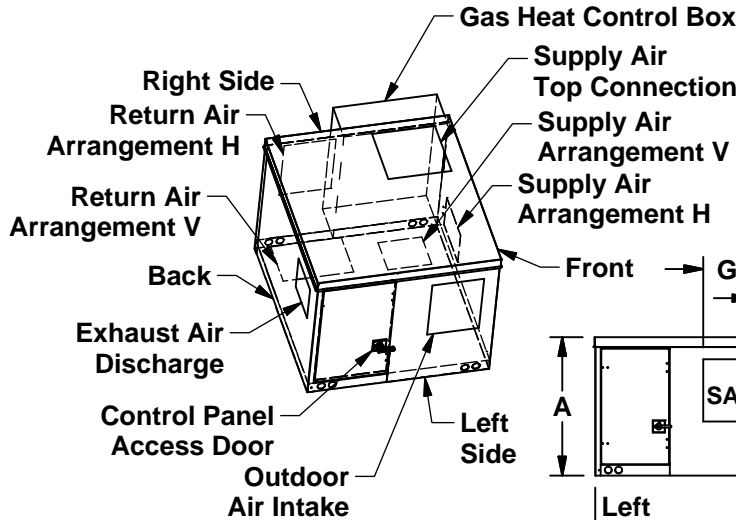
COOK

ERV with Gas Heater

DATE: _____
 PROJECT: _____
 LOCATION: _____



Energy Recovery Ventilator
Indirect Gas Heat
Roof Mounted
Belt Drive



DIMENSION DATA

Size	A	B	C	D	E	F	G	H	J	K	L	M	N
1500	40 1/2	49 5/16	100	10 5/16	11 13/16	18	14	14	18	19	13	5 1/8	18 5/8
2500	50	52	100	11 3/8	13 1/8	28	20	20	28	22	12 13/16	5 5/8	13 5/16
3500	59	60 1/2	110	13 3/8	15 5/8	34	20	20	34	23	16 1/2	5 5/16	18
4500	64 1/2	66 1/2	112	13 3/8	15 5/8	34	24	24	34	26	18 13/16	4 5/16	23 13/16
5500	71	66 1/2	112	15 7/8	18 5/8	44	24	23	42	26	18 13/16	4 5/16	22
7000	75 1/2	80	115 1/2	18 7/8	21 7/8	44	29	27	42	32	24	7 1/8	27 7/8
8500	83	80	115 1/2	18 7/8	21 7/8	53	29	27	46	32	24	7 1/8	29 7/8
10000	90	84 1/2	136	24 13/16	24 13/16	50	37	32	48	34.5	33	4 3/8	33 7/8

Size	P	S	T	U	V	W	X	Y	Unit Wt.
1500	6 1/8	21 1/8	6 1/8	7 1/8	3 3/16	3	4 1/8	15 5/8	1200
2500	5 1/8	29 5/16	7 5/16	7 13/16	4 5/16	3 5/16	2 7/8	18 5/16	1320
3500	5 7/8	33 13/16	8 13/16	8 1/8	4 1/8	4 1/8	6 5/16	18 1/8	1494
4500	7 5/16	38 5/8	10	8 1/8	4 1/8	4 1/8	5 5/16	23 7/8	1764
5500	5 3/8	41	8 13/16	9 3/8	4 13/16	4 3/16	5 5/16	20 1/8	1908
7000	6 3/16	14 3/16	8 7/8	11 1/8	4 1/8	4 1/8	6 7/8	25 7/8	2382
8500	6 3/16	14 3/16	8 7/8	11 1/8	4 1/8	4 1/8	6 7/8	22 7/8	2526
10000	9 1/8	15 5/16	8	12 13/16	4 1/8	4 1/8	3 5/16	31 7/8	3840

ALL DIMENSIONS IN INCHES. WEIGHTS IN LBS., LESS MOTOR.