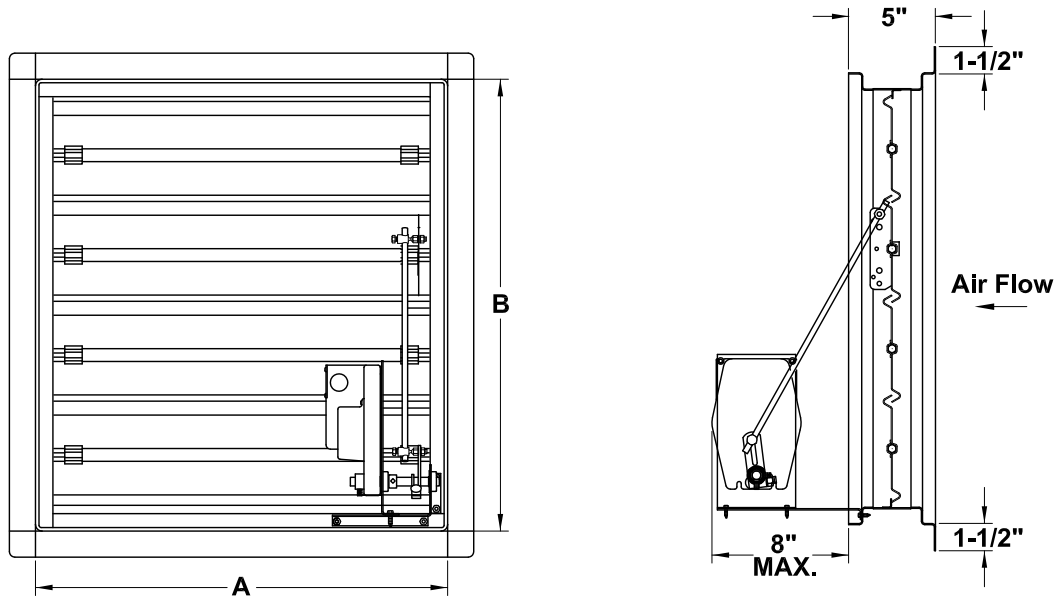


DATE: \_\_\_\_\_

PROJECT: \_\_\_\_\_

LOCATION: \_\_\_\_\_

**Backdraft Motorized Intake  
Center Pivot Damper  
ERV Outdoor Air Intake**



**STANDARD CONSTRUCTION FEATURES:**

16 ga galvanized steel blades - 16 ga galvanized steel frame -  
1/2" plated steel hex hinge pins - Molded synthetic bearings -  
24VAC Non-overloading motor.

**DIMENSION DATA**

Qty	Mark	Unit Size	Cat. No.	A	B	Unit Wt.
		1500	BDMIC-1500	13-3/4	17-3/4	20
		2500	BDMIC-2500	19-3/4	27-3/4	34
		3500	BDMIC-3500	19-3/4	33-3/4	40
		4500	BDMIC-4500	23-3/4	33-3/4	47
		5500	BDMIC-5500	23-3/4	43-3/4	58
		7000	BDMIC-7000	28-3/4	43-3/4	69
		8500	BDMIC-8500	28-3/4	52-3/4	82
		10000	BDMIC-10000	36-3/4	49-3/4	97

ALL DIMENSIONS IN INCHES. WEIGHTS IN LBS.