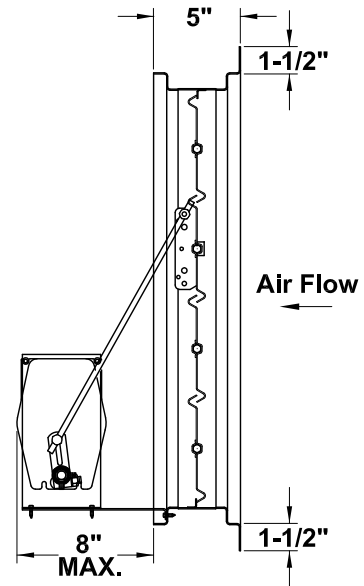
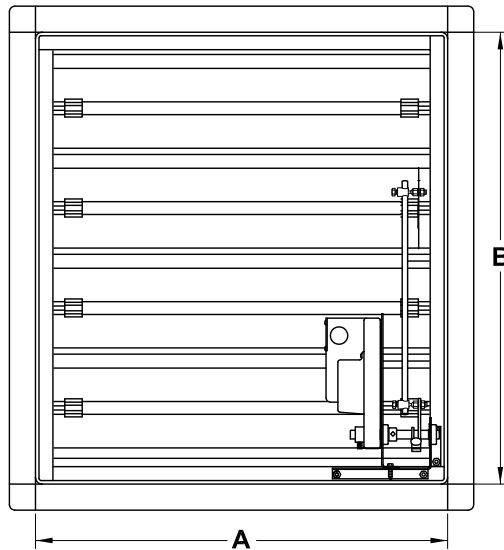


DATE: \_\_\_\_\_

PROJECT: \_\_\_\_\_

LOCATION: \_\_\_\_\_

**Backdraft Motorized Center Pivot  
Low Leakage Damper  
ERV Outdoor Air Intake**



**STANDARD CONSTRUCTION FEATURES:**

14 ga galvanized steel blades - 16 ga galvanized steel frame -  
1/2" plated steel hex hinge pins - Stainless steel sleeve bearings -  
24VAC Non-overloading motor.

**DIMENSION DATA**

Qty	Mark	Unit Size	Cat. No.	A	B	Unit Wt.
		1500	BDMICL-1500	13-3/4	17-3/4	21
		2500	BDMICL-2500	19-3/4	27-3/4	38
		3500	BDMICL-3500	19-3/4	33-3/4	45
		4500	BDMICL-4500	23-3/4	33-3/4	52
		5500	BDMICL-5500	23-3/4	43-3/4	66
		7000	BDMICL-7000	28-3/4	43-3/4	78
		8500	BDMICL-8500	28-3/4	52-3/4	92
		10000	BDMICL-10000	36-3/4	49-3/4	110

ALL DIMENSIONS IN INCHES. WEIGHTS IN LBS.