



# COOK

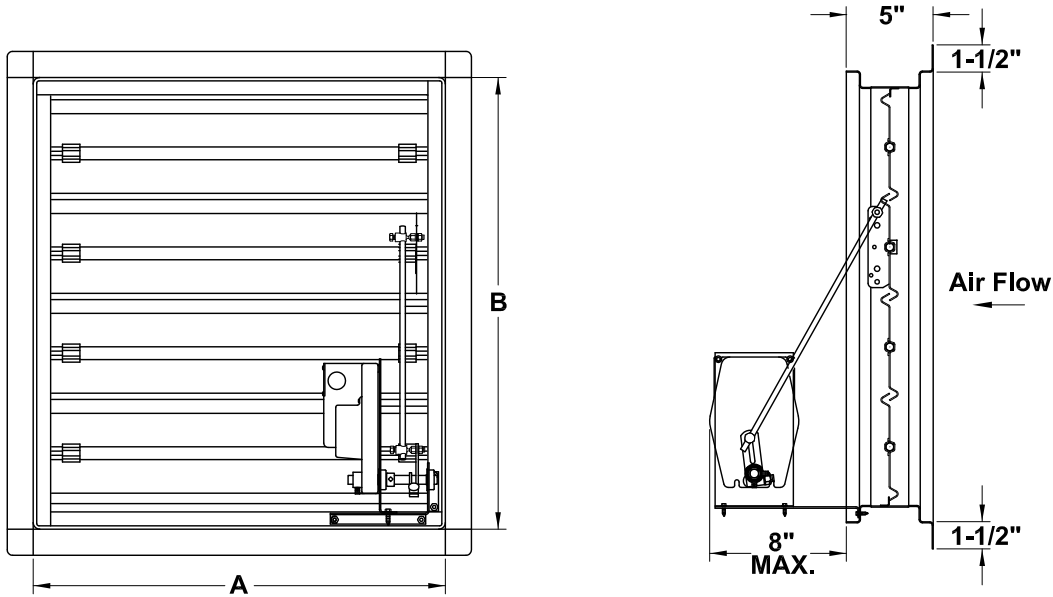
# BDMIC-H

DATE: \_\_\_\_\_

PROJECT: \_\_\_\_\_

LOCATION: \_\_\_\_\_

**Backdraft Motorized Intake  
Center Pivot Damper  
ERV Return Air Arrangement H**



### STANDARD CONSTRUCTION FEATURES:

16 ga galvanized steel blades - 16 ga galvanized steel frame -  
1/2" plated steel hex hinge pins - Molded synthetic bearings -  
24VAC Non-overloading motor.

### DIMENSION DATA

Qty	Mark	Unit Size	Cat. No.	A	B	Unit Wt.
		1500	BDMIC-H-1500	13-3/4	17-3/4	19
		2500	BDMIC-H-2500	19-3/4	27-3/4	34
		3500	BDMIC-H-3500	19-3/4	33-3/4	40
		4500	BDMIC-H-4500	23-3/4	33-3/4	47
		5500	BDMIC-H-5500	22-3/4	41-3/4	54
		7000	BDMIC-H-7000	26-3/4	41-3/4	62
		8500	BDMIC-H-8500	26-3/4	45-3/4	67
		10000	BDMIC-H-10000	31-3/4	47-3/4	82

ALL DIMENSIONS IN INCHES. WEIGHTS IN LBS.