



**COOK**

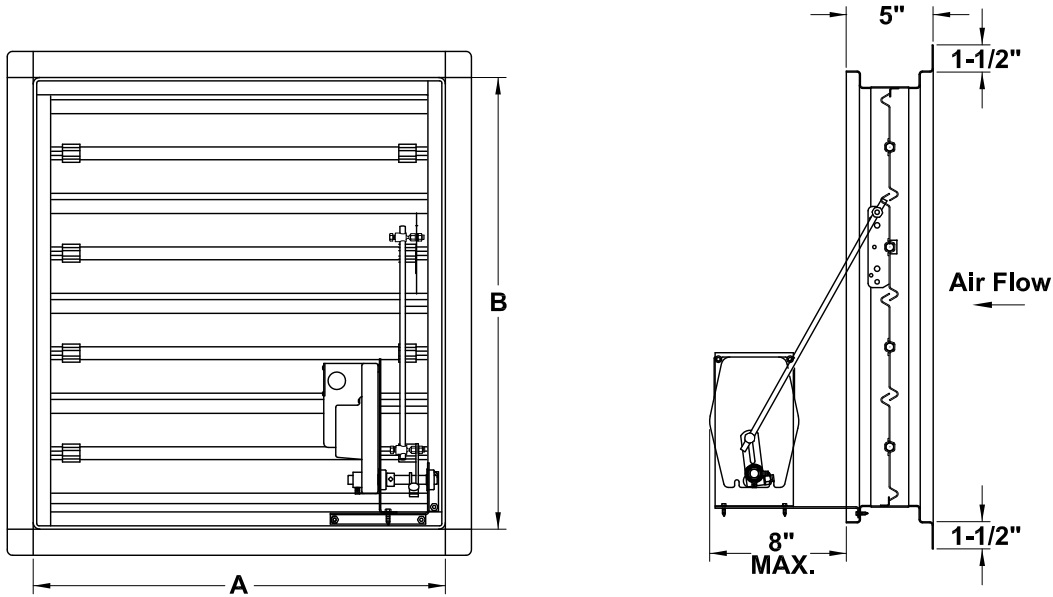
# BDMIC-VC

DATE: \_\_\_\_\_

PROJECT: \_\_\_\_\_

LOCATION: \_\_\_\_\_

**Backdraft Motorized Intake  
Center Pivot Damper  
ERV Return Air Arrangement V & C**



**STANDARD CONSTRUCTION FEATURES:**

16 ga galvanized steel blades - 16 ga galvanized steel frame -  
1/2" plated steel hex hinge pins - Molded synthetic bearings -  
24VAC Non-overloading motor.

**DIMENSION DATA**

| Qty | Mark | Unit Size | Cat. No.       | A      | B      | Unit Wt. |
|-----|------|-----------|----------------|--------|--------|----------|
|     |      | 1500      | BDMIC-VC-1500  | 18-3/4 | 12-3/4 | 19       |
|     |      | 2500      | BDMIC-VC-2500  | 21-3/4 | 12-1/2 | 21       |
|     |      | 3500      | BDMIC-VC-3500  | 22-3/4 | 16-1/4 | 25       |
|     |      | 4500-5500 | BDMIC-VC-4500  | 25-3/4 | 18-1/2 | 31       |
|     |      | 7000-8500 | BDMIC-VC-7000  | 31-3/4 | 23-3/4 | 44       |
|     |      | 10000     | BDMIC-VC-10000 | 34-1/4 | 32-3/4 | 62       |

ALL DIMENSIONS IN INCHES. WEIGHTS IN LBS.