



COOK

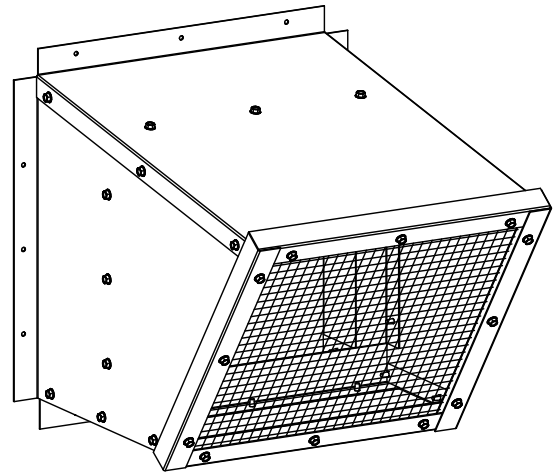
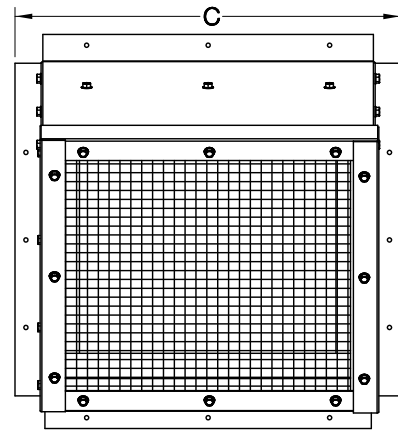
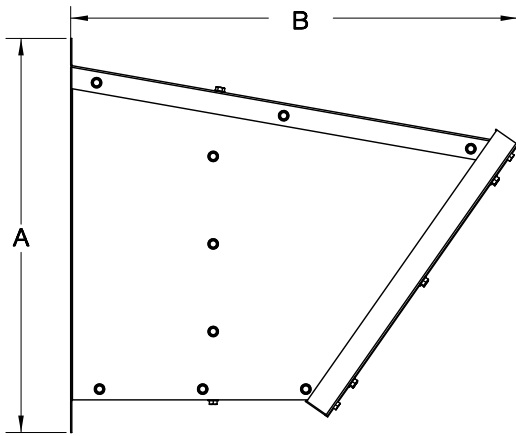
EXHAUST HOOD

DATE: _____

PROJECT: _____

LOCATION: _____

**Galvanized Steel
ERV Exhaust Hood**



STANDARD CONSTRUCTION FEATURES:

Minimum 18 Ga Galv Steel – Birdscreen covering exhaust – Integral damper mounting flange

DIMENSION DATA

Qty	Mark	Unit Size	Dim A	Dim B	Dim C	Shipping Weights
		1500	18-3/16	20-5/8	17-3/4	30
		2500	19-7/16	21-7/16	19-1/16	34
		3500-4500	21-3/4	22-7/8	21-9/16	40
		5500	24-1/2	24-9/16	24-9/16	46
		7000-8500	27-7/8	26-11/16	27-13/16	60
		10000	33-1/16	29-15/16	30-11/16	75

ALL DIMENSIONS IN INCHES. WEIGHTS IN LBS.

EX011R00