



COOK

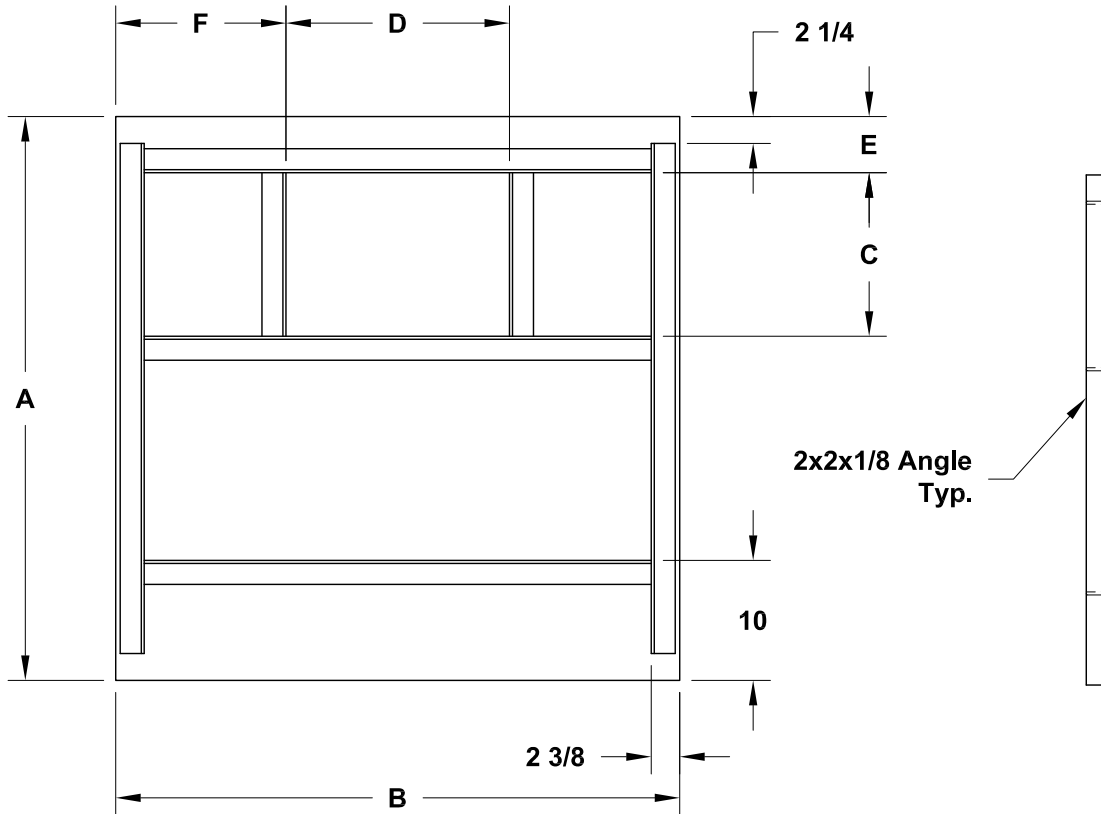
Duct Adapter

MARK: _____

PROJECT: _____

DATE: _____

Accessory Data Sheet
CFS



DIMENSION DATA

Size	A	B	C	D	E	F	Material		Adapter Wt.	
							Steel	Alum.	Steel	Alum.
120	47	47	13-5/8	18-5/8	4-11/16	14-3/16	14 ga.	.08	85	30
135	52	52	14-5/8	20-5/8	4-13/16	15-11/16	14 ga.	.08	101	36
150	55	55	16-5/8	23-5/8	4-11/16	15-11/16	14 ga.	.08	111	39
165	57-1/2	57-1/2	17-5/8	25-5/8	4-15/16	15-15/16	14 ga.	.08	119	42
180	63	63	19-5/8	27-5/8	4-11/16	17-11/16	14 ga.	.08	139	49
195	66	66	20-5/8	29-5/8	4-3/4	18-3/16	14 ga.	.08	150	53
210	69	69	22-5/8	31-5/8	4-13/16	18-11/16	14 ga.	.08	162	58
225	72	72	24-5/8	33-5/8	4-11/16	19-3/16	14 ga.	.08	174	62
245	77-1/2	77-1/2	26-5/8	36-5/8	4-11/16	20-7/16	14 ga.	.08	198	70
270	83	83	28-5/8	40-5/8	4-13/16	21-3/16	12 ga.	.125	285	111
300	88	88	32-5/8	44-5/8	4-9/16	21-11/16	12 ga.	.125	317	123
330	87	106	35-5/8	48-5/8	12-3/16	36-1/16	12 ga.	.125	373	145
330	87	115	39-5/8	53-5/8	9-1/4	37-7/8	12 ga.	.125	403	157

ALL DIMENSIONS IN INCHES. WEIGHTS IN LBS.

INTAKE DAMPERS CAN NOT BE USED WITH DUCT ADAPTER.

DUCT ADAPTER FITS OVER CURB TO FACILITATE THE INSTALLATION OF DUCTWORK BEFORE THE FAN IS PLACED ON THE ROOF CURB.