



COOK

ASP-T

DATE: _____

PROJECT: _____

LOCATION: _____



**Air Supply Package
Forward Curve-Belt Drive
Bottom Discharge
Tiered
Roof Mounted**

DIMENSION DATA

Size	A Sq.	B	C	D	E	F	T Sq.	Roof Open. Sq.	H x W Bottom Discharge Opening	Filters		No. Tiers	Ship Wt.
										Qty	Size		
90	30-7/8	29-1/4	13-1/4	6-7/32	7	3	24-1/8	19-1/2	10-1/8 x 11-9/16	4	12 x 18-1/4	3	230
100	34-7/8	31	13-1/4	7-5/8	8-7/16	3	28-1/8	23-1/2	11-1/4 x 12-7/8	4	12 x 22-1/4	3	250
120	38-7/8	33-1/2	16-3/4	8-3/8	8-3/4	3	32-1/8	27-1/2	13-5/16 x 15-3/8	4	15-1/2 x 26-1/4	4	290
150	38-7/8	36-1/2	16-3/4	6-7/8	6-5/16	3	32-1/8	27-1/2	15-3/4 x 18-3/8	4	15-1/2 x 26-1/4	4	330
180	42-7/8	44-3/4	27-1/4	7-1/4	5-5/16	3	36-1/8	31-1/2	18-3/4 x 21-5/8	4	26 x 30-1/4	7	500
200	54-7/8	49	30-3/4	11-11/16	10-5/8	3	48-1/8	43-1/2	24-7/8 x 24-3/4	4	29-1/2 x 42-1/4	8	750

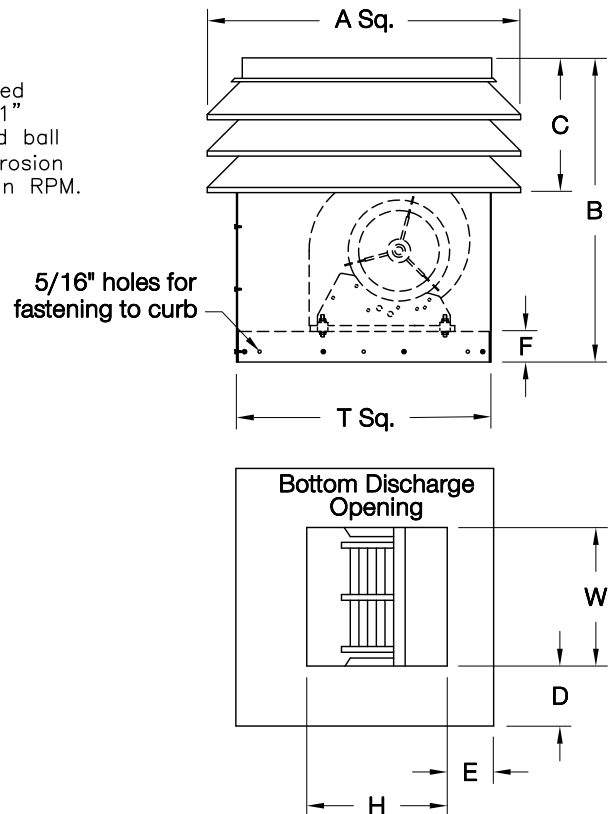
ALL DIMENSIONS IN INCHES. WEIGHTS IN LBS., LESS MOTOR.

STANDARD CONSTRUCTION FEATURES:

DWDI blower mounted in a totally enclosed 18 gauge galvanized cabinet – Heavy gauge extruded aluminum intake hood with 1" aluminum permanent washable filters – Permanently lubricated ball bearing motor – Adjustable pitch drives through 5 HP – Corrosion resistant fasteners – All fans factory adjusted to specified fan RPM.

ACCESSORIES

1. GRAVITY INTAKE DAMPER
2. MOTORIZED INTAKE DAMPER
3. DUCT ADAPTER
4. RCG GALVANIZED CURB
5. RCA ALUMINUM CURB
6. LIFTING LUGS/TIE DOWN POINTS
7. 2" ALUMINUM FILTERS



QTY	MARK	CATALOG NUMBER	FAN INFORMATION			MOTOR INFORMATION					ACCESSORIES								
			CFM	SP	RPM	HP	VOLTS	HZ	PH	TYPE									

LARGEST MOTOR SHIPPED MOUNTED: ODP (OPEN DRIP-PROOF) 1 HP (SIZES 90-180), 5 HP (SIZE 200); 2 SP (2 SPEED) NONE (SIZES 90-180), 1-1/2 HP (SIZE 200); TEFC (TOTALLY ENCLOSED FAN COOLED) NONE (SIZES 90-180), 1-1/2 HP (SIZE 200).

FF102R07