



COOK

FCRU-D/FCRUD-HP

DATE: _____

PROJECT: _____

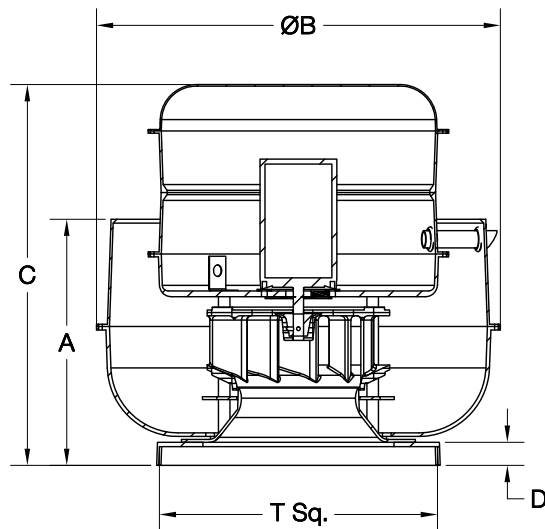
LOCATION: _____

Fiberglass Upblast Centrifugal Exhaust Ventilator Roof Mounted/Direct Drive

DIMENSION DATA

Size	A	B	C	D	T Sq.	Unit Wt.	Roof Opening Sq.*
120	18-3/8	30	32-1/2	2	20	81	15-1/2
150	21-1/4	34-7/8	32-7/8	2	24	125	19-1/2
180	25-5/16	39-3/8	42-5/16	3	30	173	25-1/2

ALL DIMENSIONS IN INCHES. WEIGHTS IN LBS., LESS MOTOR.
* ROOF OPENING SIZE FOR CURBS SUPPLIED BY COOK ONLY.



STANDARD CONSTRUCTION FEATURES:

Solid corrosion resistant molded vinylester resin fiberglass wheel – The housing and other standard components are of corrosion resistant fiberglass from polyester resin with a Class I flame spread rate of 25 or less – One piece curb cap for sealed corners – Neoprene shaft seal – Suitable for airstream temperatures up to 200°F – Corrosion fasteners outside airstream – Stainless steel fasteners inside airstream – UV (Ultraviolet) inhibitor – Transit tested packaging – Standard motors ship factory installed.

ACCESSORIES

1. DISCONNECT SWITCH (Shipped loose)
2. FIBERGLASS GRAVITY BACKDRAFT DAMPER
3. RCF FIBERGLASS CURB
4. RCG GALVANIZED CURB
5. RCA ALUMINUM CURB
6. STAINLESS STEEL BIRDSCREEN

QTY	MARK	CATALOG NUMBER	FAN INFORMATION			MOTOR INFORMATION					ACCESSORIES						
			CFM	SP	RPM	HP	VOLTS	HZ	PH	TYPE							

MOTOR TYPE: ODP (OPEN DRIP-PROOF); 2 SP (2 SPEED); X-PRF (EXPLOSION PROOF); TEFC (TOTALLY ENCLOSED FAN COOLED).